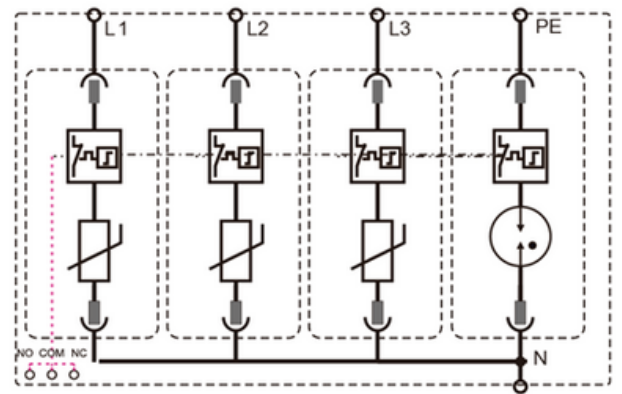


Features:

- Modular design, plug-in structure
- Easy maintenance and replacement
- Multi-window release indication
- With overheat and overcurrent Current Disengagement
- Thermal cut-off device, providing reliable protection
- Pluggable external monitoring connection FMA
- Fast response time, high reliability and stable performance

Applications:

- Electric power supply networks
- Automatic control buses
- Electric Vehicle Charging Stations

Type Circuit Diagram:

DATASHEET

Three phase Surge Protector – TSP4206

A three-phase surge protector is a device designed to protect electrical systems from voltage spikes or surges in three-phase power systems. These surges can be caused by various factors such as lightning strikes, power outages, or switching operations. The protector works by diverting excess voltage away from sensitive equipment and directing it to the ground.

Technical Specifications:

Part Number	:E112451-1
SPD type	:T2/Class C
Nominal Operating Voltage	:415VAC(NPE 255 VAC)
Maximum Continuous Operating Voltage	:440VAC
Nominal discharge current 15x 8/20 μ s	:10 kA
Maximum discharge current 15x 8/20 μ s	:20 kA
Total Maximum discharge current max. total withstand @ 8/20 μ s	:40kA
Response Time	: \leq 25ns
Follow Current	:300A
Operating temperature	:-40°C to +80°C

Connecting Conductor Cross Section	:2.5 to 25mm ²
Temporary Over Voltage (TOV) Characteristics-5 sec. without disconnection	:1200V/5 sec
Temporary Over Voltage (TOV) Characteristics-120 min without disconnection	:440V/120 min withstand
Protection level N/PE @ In (8/20μs)	:NPE≤1.2 kV
Protection level L/PE @ In (8/20μs)	:≤1.6 kV
Residual Current Leakage current to Ground	:<20μA
Protection level L/PE @ In (8/20μs)	:2.0kV
Admissible short-circuit current	:25kA rms
Technology	:MOV
SPD configuration	:One Port
Connection to Network By screw terminals	:Yes
Mounting	:35mm DIN Rail
Housing material	:Flame Retardant PBT
Protection Mode(S)	:L-N,N-PE
Protection rating	:IP 20
Failsafe mode	:Thermal Disconnect
Disconnection indicator	:Yes
Spare module(s)	:Available
Test Standard	:IEC 61643-11
Remote signaling of disconnection	:Yes
Wiring for remote signaling	:COM,NC,NO
Max. Voltage/Current for remote signaling	:AC: 250V/1.0A
Weight(KG)	:0.4
Thermal disconnect	:Yes
Back-up protection device	:Necessary
Back -up Fuse	:63A CylgG
Accessories	:Cartridge:20kA :Part Number: E113089-1

Mechanical Information

