


Features:

- Easy installation on standard din rails ,ideal for panel/control cabinet setups
- Limits surge voltages of safe levels for sensitive equipment's
- Save space in electrical panels while providing reliable surge protection

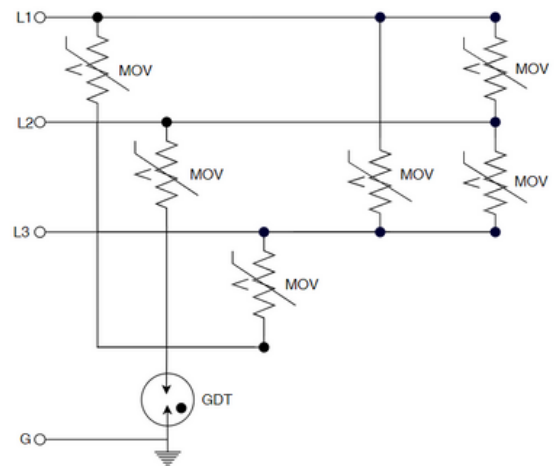
Applications:

- Data Centers and Server Rooms
- Industrial Equipment
- Home Appliances
- Power Supply Lines

DATASHEET

Three phase Surge Protector- TSP3086

A surge protector is a device designed to protect electrical systems from voltage spikes or surges in three-phase power systems. These surges can be caused by various factors, such as lightning strikes, power outages, or switching operations. The protector works by diverting excess voltage away from sensitive equipment and directing it to the ground.

Type Circuit Diagram:

Technical Specifications:

Part Number	:E113822-1
SPD type	:Type3/Class D
Nominal Continuous Operating Voltage	:440VAC
Maximum Continuous Operating Voltage(AC/DC)	:510/670
Nominal discharge current 15x 8/20 μ s impulses	:3kA
Maximum discharge current 8/20 μ s	:8kA
Response Time	: \leq 25ns
Connecting Conductor Cross Section	:2.5 mm ² Wire
Operating temperature	:-40°C to+80°C

Protection level L/PE @ In (8/20μs)	:1355V
Technology	:MOV
Connection to Network By screw terminals	:Yes
Mounting	:35 mm DIN Rail Mounting
Housing material	:Polyamide (UL 94-V0)
Protection rating	:IP20
Weight(KG)	:80gms
Test Standard	:IEC610004-5

Mechanical Information

