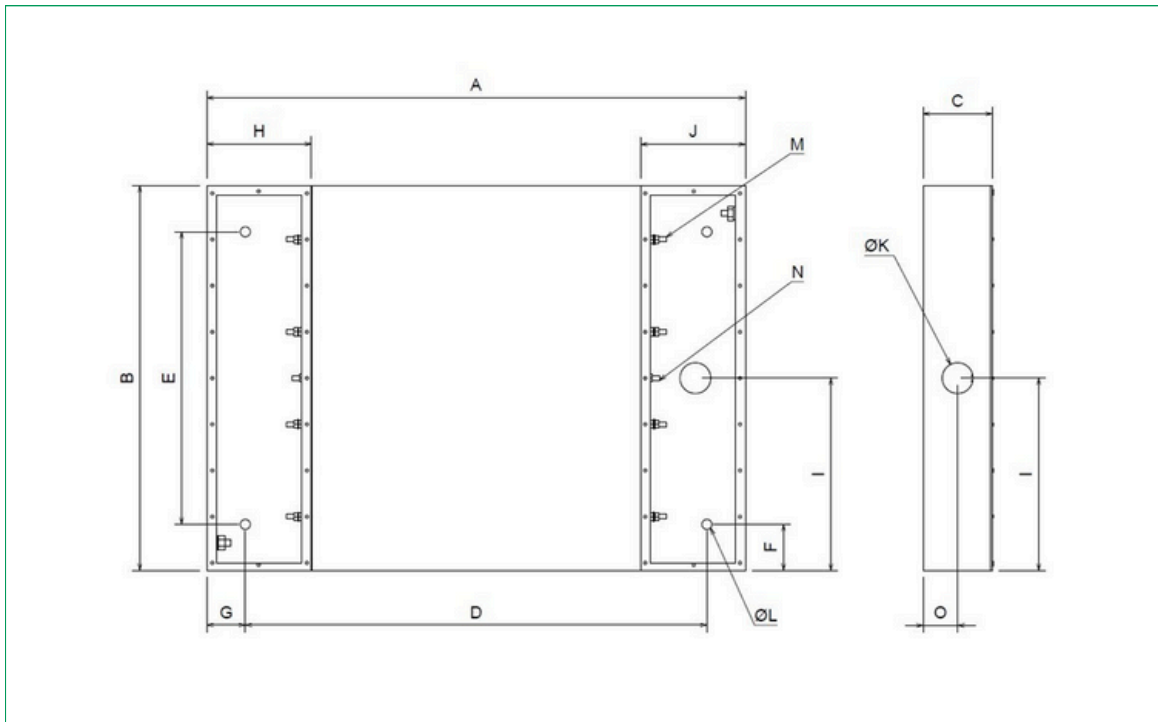


Ordering Information:

Model Number	Part Number	Rated Current (A)	Min. Weight (Kgs)
TMF960-4-3	E111600-1	3	7
TMF960-4-6	E111601-1	6	7
TMF960-4-10	E111602-1	10	7
TMF960-4-16	E111603-1	16	8
TMF960-4-32	E111604-1	32	10
TMF960-4-63	E111605-1	63	30
TMF960-4-100	E111606-1	100	50

Mechanical Drawing :



Mechanical Dimensions :

Model number	A	B	C	D	E	F	G	H	I	J	ØK	ØL	M	N	O
TMF960-4-3	300	350	110	200	310	20	50	90	175	90	21	11	M3	M3	55
TMF960-4-6	300	350	110	200	310	20	50	90	175	90	21	11	M3	M3	55
TMF960-4-10	300	350	110	200	310	20	50	90	175	90	21	11	M5	M5	55
TMF960-4-16	300	350	110	200	310	20	50	90	175	90	21	11	M5	M5	55
TMF960-4-32	390	483	120	290	443	20	50	120.75	241.5	120.75	21	11	M8	M8	60
TMF960-4-63	390	480	120	340	440	20	25	120	240	120	33	11	M8	M8	60
TMF960-4-100	633	560	138.5	533	520	20	50	150.75	280	150.75	52	11	M12	M12	69

All Dimensions in mm; Tolerance according to ISO2768-C

Insertion Loss Graph :

