

Storage Temperature	: -40°C to +85°C
Enclosure Material	: CRCA-Plated
Finish	: Powder Coating / Paint
Design Corresponding to	: MIL STD 220A, MIL-PRF-15733J, UL1283, IEC60939
MTBF	: >0.8 million hours (calculated using Mil Hdbk 217D)
Insertion Loss Performance	: 100dB from 100KHz to 18GHz (Standard) 100dB from 10KHz to 40GHz (Extended)
Surge Suppression (optional)	: 40kA (8/20µs)

Ordering Information: Standard Performance

Model Number	Part Number	Model Number	Part Number	Rated Current @50°C (A)	DC Resistance (mΩ)	Maximum Leakage Current (A)	Min. Weight (Kgs)
TMF911-4-6	E112491-1	TMF911S-4-6	E111679-1	6	30	2.2	22
TMF911-4-10	E112492-1	TMF911S-4-10	E111680-1	10	25	2.2	22
TMF911-4-16	E112473-1	TMF911S-4-16	E111681-1	16	25	2.2	22
TMF911-4-20	E112493-1	TMF911S-4-20	E111682-1	20	20	2.2	22
TMF911-4-25	E112494-1	TMF911S-4-25	E111683-1	25	15	2.2	22
TMF911-4-30	E112495-1	TMF911S-4-30	E111684-1	30	15	2.2	22
TMF911-4-32	E112496-1	TMF911S-4-32	E111685-1	32	10	2.2	22
TMF911-4-40	E112497-1	TMF911S-4-40	E111686-1	40	8	2.7	32
TMF911-4-50	E112498-1	TMF911S-4-50	E111687-1	50	8	2.7	32
TMF911-4-60	E112499-1	TMF911S-4-60	E111688-1	60	8	2.7	32
TMF911-4-63	E112500-1	TMF911S-4-63	E111689-1	63	8	2.7	32
TMF911-4-100	E112501-1	TMF911S-4-100	E111690-1	100	6	3.15	45
TMF911-4-125	E112502-1	TMF911S-4-125	E111691-1	125	6	6.3	70
TMF911-4-150	E112503-1	TMF911S-4-150	E111692-1	150	6	6.3	70
TMF911-4-200	E112504-1	TMF911S-4-200	E111693-1	200	4	6.3	70
TMF911-4-225	E112505-1	TMF911S-4-225	E111694-1	225	2	6.3	100
TMF911-4-250	E112506-1	TMF911S-4-250	E111695-1	250	1	6.3	100
TMF911-4-300	E112507-1	TMF911S-4-300	E111696-1	300	0.5	6.3	120
TMF911-4-400	E112508-1	TMF911S-4-400	E111697-1	400	0.4	6.3	120
TMF911-4-600	E112509-1	TMF911S-4-600	E111698-1	600	0.4	3.15	250
TMF911-4-800	E112510-1	TMF911S-4-800	E111699-1	800	0.4	3.15	250
TMF911-4-1000	E112511-1	TMF911S-4-1000	E111700-1	1000	0.4	3.15	250
TMF911-4-1200	E112512-1	TMF911S-4-1200	E111701-1	1200	0.4	3.65	300
TMF911-4-1600	E112513-1	TMF911S-4-1600	E111702-1	1600	0.1	3.65	400
TMF911-4-2000	E112514-1	TMF911S-4-2000	E111703-1	2000	0.1	3.65	425
TMF911-4-2500	E112515-1	TMF911S-4-2500	E111704-1	2500	0.1	3.65	500
TMF911-4-3000	E112516-1	TMF911S-4-3000	E111705-1	3000	0.1	3.65	550

TMF911S – Standard Performance with Surge Suppressor

Note: EXXXXXX - Y

- Y - Indicates Enclosure Paint Color
- 1 - Olive Green RAL 6003
- 2 - Light Grey RAL 7035
- 3 - Dark Grey RAL 7046

Ordering Information: Extended Performance

Model Number	Part Number	Model Number	Part Number	Rated Current @50°C (A)	DC Resistance (mΩ)	Maximum Leakage Current (A)	Min. Weight (Kgs)
TMF911N-4-6	E108503-1	TMF911NS-4-6	E111706-1	6	30	2.5	22
TMF911N-4-10	E108504-1	TMF911NS-4-10	E111707-1	10	26	2.5	22
TMF911N-4-16	E108506-1	TMF911NS-4-16	E111708-1	16	26	2.5	22
TMF911N-4-20	E108507-1	TMF911NS-4-20	E111709-1	20	24	2.5	24
TMF911N-4-25	E108508-1	TMF911NS-4-25	E111710-1	25	18	2.5	24
TMF911N-4-30	E108509-1	TMF911NS-4-30	E111711-1	30	18	2.5	24
TMF911N-4-32	E108510-1	TMF911NS-4-32	E111712-1	32	15	2.5	24
TMF911N-4-40	E108511-1	TMF911NS-4-40	E111713-1	40	10	5	45
TMF911N-4-50	E108512-1	TMF911NS-4-50	E111714-1	50	10	5	45
TMF911N-4-60	E108513-1	TMF911NS-4-60	E111715-1	60	10	5	45
TMF911N-4-63	E108514-1	TMF911NS-4-63	E111716-1	63	10	5	45
TMF911N-4-100	E108515-1	TMF911NS-4-100	E111717-1	100	8	7	70
TMF911N-4-125	E108516-1	TMF911NS-4-125	E111718-1	125	8	9	95
TMF911N-4-150	E108517-1	TMF911NS-4-150	E111719-1	150	8	9	95
TMF911N-4-200	E108518-1	TMF911NS-4-200	E111720-1	200	6	9	95
TMF911N-4-225	E108519-1	TMF911NS-4-225	E111721-1	225	4	9	120
TMF911N-4-250	E108520-1	TMF911NS-4-250	E111722-1	250	2	9	120
TMF911N-4-300	E108521-1	TMF911NS-4-300	E111723-1	300	0.8	12	175
TMF911N-4-400	E108522-1	TMF911NS-4-400	E111724-1	400	0.6	12	200
TMF911N-4-600	E108523-1	TMF911NS-4-600	E111725-1	600	0.6	12	300
TMF911N-4-800	E108524-1	TMF911NS-4-800	E111726-1	800	0.6	12	350
TMF911N-4-1000	E108525-1	TMF911NS-4-1000	E111727-1	1000	0.6	12	350
TMF911N-4-1200	E108526-1	TMF911NS-4-1200	E111728-1	1200	0.6	12	450
TMF911N-4-1600	E108527-1	TMF911NS-4-1600	E111729-1	1600	0.2	12	550
TMF911N-4-2000	E108528-1	TMF911NS-4-2000	E111730-1	2000	0.2	12	600
TMF911N-4-2500	E108529-1	TMF911NS-4-2500	E111731-1	2500	0.2	12	650
TMF911N-4-3000	E108530-1	TMF911NS-4-3000	E111732-1	3000	0.2	12	800

TMF911NS – Extended Performance with Surge Suppressor

Note: EXXXXXX - Y

Y - Indicates Enclosure Paint Color

1 - Olive Green RAL 6003

2 - Light Grey RAL 7035

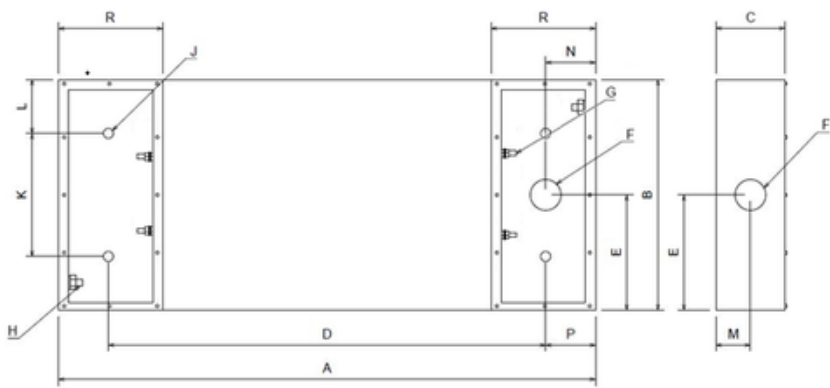
3 - Dark Grey RAL 7046

Note:

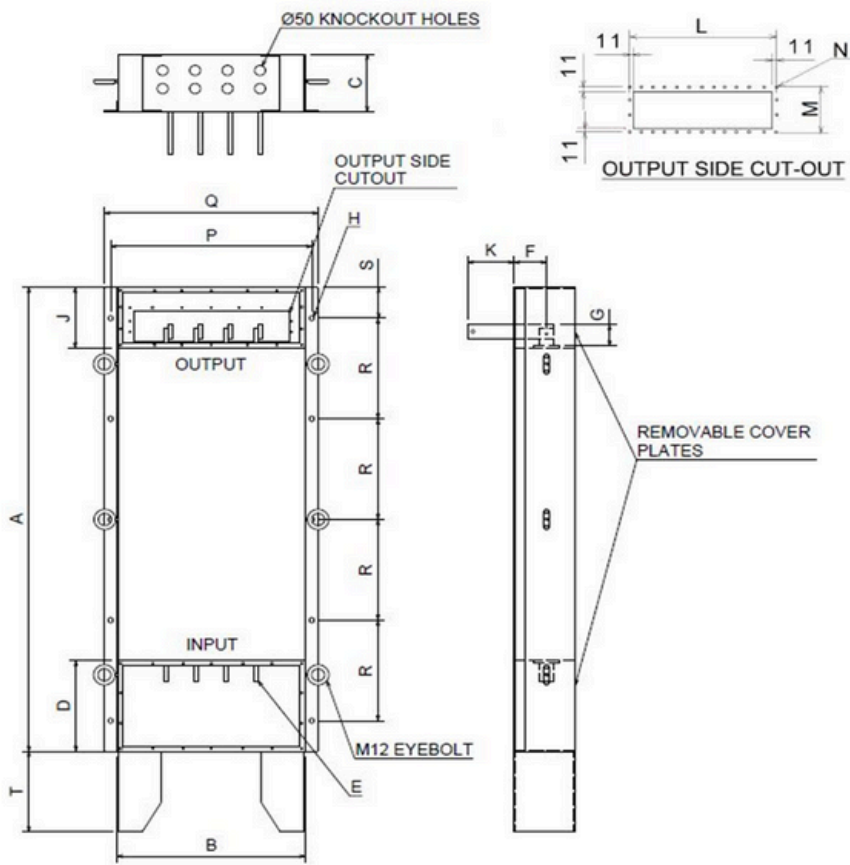
1. Earth Leakage Current is measured at 250VAC, 50Hz
2. This Filter series have very high leakage current to the ground, it is recommended to use Earth Leakage Circuit Breaker (ELCB) or Residual Circuit Breaker (RCCB) at the load side of filter
3. Different Enclosure Paint Colors are provided on request

Mechanical Drawing :

Up to 400A



600A to 3000A



Mechanical Dimensions :

Standard Performance (Up to 400A)

Rated Current (A)	A	B	C	D	E	ØF	G	H	ØJ	K	L	M	N	P	R
6	550	410	95	487	205	32	M5	M6	9	286	62	48	45	31	85
10	550	410	95	487	205	32	M5	M6	9	286	62	48	45	31	85
16	550	410	95	487	205	32	M8	M10	9	286	62	48	45	31	85
20	550	410	95	487	205	32	M8	M10	9	286	62	48	45	31	85
25	550	410	95	487	205	32	M8	M10	9	286	62	48	45	31	85
30	550	410	95	487	205	32	M8	M10	9	286	62	48	45	31	85
32	550	410	95	487	205	32	M8	M10	9	286	62	48	45	31	85
40	550	410	110	487	205	32	M8	M10	9	286	62	48	45	31	110
50	550	410	110	487	205	32	M8	M10	9	286	62	48	45	31	110
60	550	410	110	487	205	32	M8	M10	9	286	62	48	45	31	110
63	550	410	110	487	205	32	M8	M10	9	286	62	48	45	31	110
100	660	410	135	537	205	32	M12	M12	9	286	62	68	75	62	120
125	660	500	150	537	288	51	M12	M12	13	355	110	75	60	62	120
150	660	500	150	537	288	51	M12	M12	13	355	110	75	60	62	120
200	660	575	150	537	288	51	M12	M12	13	355	110	75	60	62	120
225	1020	575	200	870	288	63	M16	M16	13	355	110	75	75	75	300
250	1020	575	200	870	288	63	M16	M16	13	355	110	75	75	75	300
300	1250	575	200	760	288	75	M20	M20	17	355	110	75	75	245	300
400	1250	575	200	760	288	75	M20	M20	17	355	110	75	75	245	300

Extended Performance (Up to 400A)

Rated Current (A)	A	B	C	D	E	ØF	G	H	ØJ	K	L	M	N	P	R
6	550	410	95	487	205	32	M5	M6	9	286	62	48	45	31	85
10	550	410	95	487	205	32	M5	M6	9	286	62	48	45	31	85
16	550	410	95	487	205	32	M8	M10	9	286	62	48	45	31	85
20	550	410	95	487	205	32	M8	M10	9	286	62	48	45	31	85
25	550	410	95	487	205	32	M8	M10	9	286	62	48	45	31	85
30	550	410	95	487	205	32	M8	M10	9	286	62	48	45	31	85
32	550	410	95	487	205	32	M8	M10	9	286	62	48	45	31	85
40	660	410	135	537	205	32	M8	M10	9	286	62	68	75	62	120
50	660	410	135	537	205	32	M8	M10	9	286	62	68	75	62	120
60	660	410	135	537	205	32	M8	M10	9	286	62	68	75	62	120
63	660	410	135	537	205	32	M8	M10	9	286	62	68	75	62	120
100	660	575	150	537	288	51	M12	M12	13	355	110	75	60	62	120
125	700	650	150	580	325	51	M12	M12	13	450	100	75	60	60	120
150	700	650	150	580	325	51	M12	M12	13	450	100	75	60	60	120
200	750	700	170	620	350	51	M12	M12	13	400	150	85	60	65	120
225	1200	700	170	1050	350	63	M16	M16	13	480	110	75	75	75	300
250	1200	700	170	1050	350	63	M16	M16	13	480	110	75	75	75	300
300	1500	700	170	1350	350	65	M20	M20	13	480	110	75	75	75	300
400	1700	700	170	1210	350	75	M20	M20	17	400	150	85	75	245	300

Standard Performance (600A to 3000A)

Rated Current (A)	A	B	C	D	E	F	G	H	J	K	L	M	N	P	Q	R	S	T
600	1500	750	250	400	50X8	150	125	14	300	250	12x50.0=650	3x50=150	11	810	870	300	150	300
800	1700	865	285	450	50x8	180	125	14	350	250	12X60.0=720	3X50=150	11	930	994	350	150	350
1000	1700	865	285	450	50x8	180	125	14	350	250	12X60.0=720	3X50=150	11	930	994	350	150	350
1200	1900	1000	300	450	80x10	185	200	14	350	250	15x61.0=915	3x60=180	11	1085	1170	400	150	350
1600	2500	1000	300	450	125X10	212	200	14	400	300	15x61.0=915	3x60=180	11	1085	1170	400	150	350
2000	2700	1000	300	450	127x16	212	200	14	400	300	15x61.0=915	3x60=180	11	1085	1170	625	200	350
2500	3500	1000	350	650	127X16	212	200	14	400	300	15X61.0=915	4X57.5=230	11	1085	1170	775	200	500
3000	4000	1000	400	800	130x20	212	200	14	400	300	15X61.0=915	4X57.5=230	11	1085	1170	900	200	500

Extended Performance (600A to 3000A)

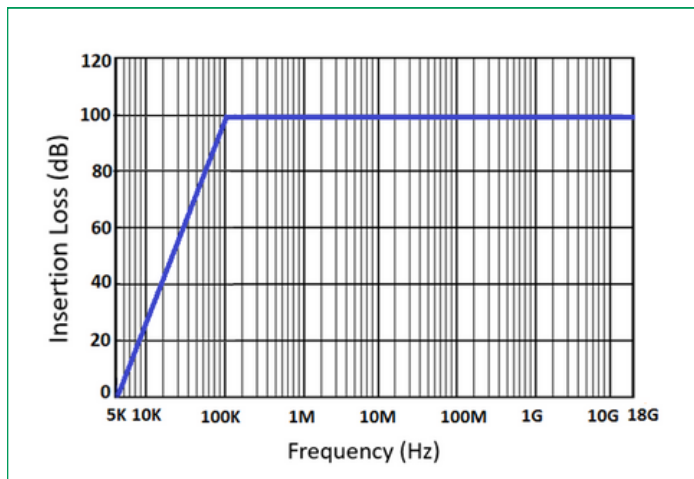
Rated Current (A)	A	B	C	D	E	F	G	H	J	K	L	M	N	P	Q	R	S	T
600	2500	750	250	400	40X8	140	125	14	300	200	12x50=650	3x50=150	11	810	870	550	150	350
800	3150	864	285	450	50X8	180	125	14	300	200	12X60=720	3x50=150	11	930	994	700	175	500
1000	3150	864	285	450	50X8	180	125	14	300	200	12X60=720	3x50=150	11	930	994	700	175	500
1200	3500	1000	300	650	80X10	185	155	14	350	250	15X61=915	3X60=180	11	1085	1170	775	200	500
1600	4100	1000	350	800	125X10	212	200	14	400	300	15X61=915	4X57.5=230	11	1085	1170	900	250	500
2000	4500	1000	350	900	127x16	212	200	16	450	300	15X61=915	4X57.5=230	11	1085	1170	900	250	500
2500	4700	1000	400	900	127X16	230	200	16	450	300	15X61=915	4X57.5=230	11	1085	1170	900	250	500
3000	5500	1200	500	1000	130x20	300	250	16	500	300	18x60=1080	4x65=260	11	1285	1370	1250	250	600

All dimensions are in mm;

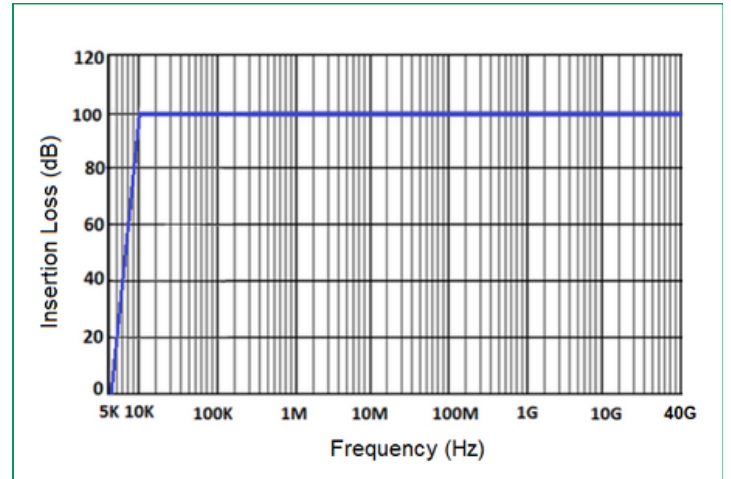
Note: The output threaded tube or Bulk-head Penetration Pipe along with accessories shall be supplied on request

Insertion Loss Graph :

Standard Performance

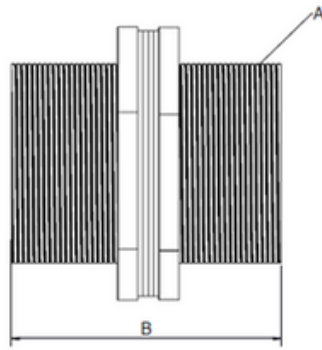


Extended Performance



Accessories Details :

Bulk Head Penetration Kit

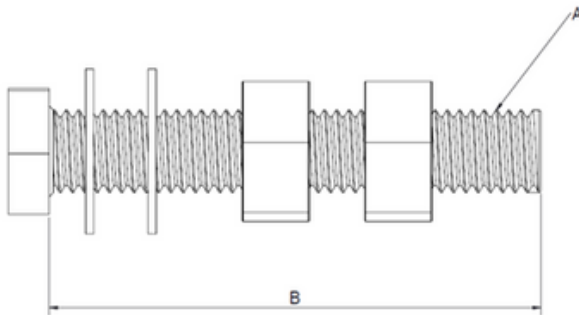


Accessories :

1. Threaded Pipe - 1 No
2. Plain Washer - 2 No's
3. Hex Nut - 2 No's
4. Gasket - 2 No's

SL No.	Part Number	Description	Thread(A) X Length(B)
1	E111914-1	BULKHEAD PENETRATION KIT FOR M20	M20X100
2	E111915-1	BULKHEAD PENETRATION KIT FOR M25	M25X100
3	E111916-1	BULKHEAD PENETRATION KIT FOR M32	M32X100
4	E111917-1	BULKHEAD PENETRATION KIT FOR M40	M40X100
5	E111918-1	BULKHEAD PENETRATION KIT FOR M50	M50X100
6	E111919-1	BULKHEAD PENETRATION KIT FOR M63	M63X100
7	E111920-1	BULKHEAD PENETRATION KIT FOR M75	M75X100

Fixing Screw Kit



Accessories :

1. Bolt - 1 No
2. Plain Washer - 2 No's
3. Hex Nut - 2 No's

SL No.	Part Number	Description	Thread(A) X Length(B)
1	E111921-1	FIXING SCREW KIT FOR M5	M5X40
2	E111922-1	FIXING SCREW KIT FOR M6	M6X40
3	E111923-1	FIXING SCREW KIT FOR M8	M8X50
4	E111924-1	FIXING SCREW KIT FOR M10	M10X50
5	E111925-1	FIXING SCREW KIT FOR M12	M12X60
6	E111926-1	FIXING SCREW KIT FOR M16	M16X60
7	E111927-1	FIXING SCREW KIT FOR M20	M20X70

Note: The suggested Fasteners can be used with a mounting surface thickness up to 20mm