

**Features:**

- Capable of safely absorbing and redirecting surge currents up to 8 kA amps without failure.
- They protect electrical circuits from voltage surges and spikes, preventing damage to sensitive components
- They quickly respond to transient voltage spikes, minimizing the risk of circuit damage.

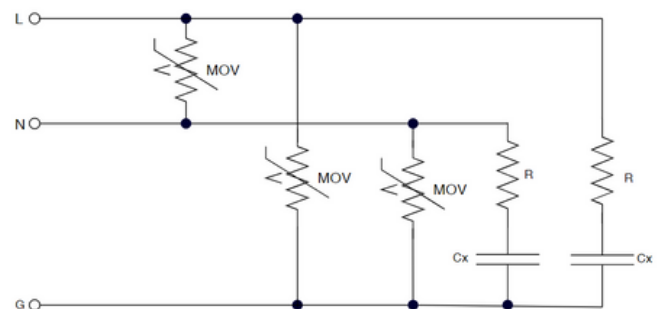
**Applications:**

- Data Centers and Server Rooms
- Industrial Equipment
- Home Appliances
- Power Supply Lines

**DATASHEET**

## Single-phase Surge Protector – SRC2083

Single-phase RC surge filters are designed to protect electrical circuits from voltage spikes or surges. By using a resistor (R) and capacitor (C), they absorb and dissipate excess energy, preventing damage to sensitive components. These filters are commonly used in power supplies and sensitive equipment to enhance reliability and longevity

**Type Circuit Diagram:**

**Technical Specifications:**

Part Number	:E113823-1
SPD type	:Type 3/Class D
Nominal Continuous Operating Voltage	:250VAC
Maximum Continuous Operating Voltage (AC/DC)	:320/420
Nominal discharge current 15x 8/20 $\mu$ s impulses	:3kA
Maximum discharge current 8/20 $\mu$ s	:8kA
Response Time	: $\leq$ 25ns
Connecting Conductor Cross Section	:2.5 mm <sup>2</sup> Wire
Operating temperature	:-40°C to +80°C

Protection level L/PE @ In (8/20 $\mu$ s)	:800V
Technology	:MOV
Mounting	:Chassis Mount
Housing material	:Polyamide (UL 94-V0)
Protection rating	:IP20
Test Standard	:IEC 610004-5
Weight	:40gms

## Mechanical Information

