

Storage Temperature	: -40°C to +85°C
Enclosure Material	: CRCA-Plated
Finish	: Powder Coating / Paint
Design Corresponding to	: MIL STD 220A, MIL-PRF-15733J, UL1283, IEC60939
MTBF	: >0.8 million hours (calculated using Mil Hdbk 217D)
Insertion Loss Performance	: 100dB from 10KHz to 10GHz
Surge Suppression (optional)	: 40kA (8/20µs)

Ordering Information: 1 Line

Model Number	Part Number	Model Number	Part Number	Rated Current @50°C (A)	DC Resistance (mΩ)	Maximum Leakage Current (A)	Min. Weight (Kgs)
SMF912-1-6	E106236-1	SMF912S-1-6	E111733-1	6	30	3.8	20
SMF912-1-10	E106222-1	SMF912S-1-10	E111734-1	10	30	3.8	20
SMF912-1-16	E106225-1	SMF912S-1-16	E111735-1	16	30	3.8	20
SMF912-1-20	E106226-1	SMF912S-1-20	E111736-1	20	30	3.8	22
SMF912-1-25	E106227-1	SMF912S-1-25	E111737-1	25	30	3.8	22
SMF912-1-30	E106223-1	SMF912S-1-30	E111738-1	30	30	3.8	22
SMF912-1-32	E106228-1	SMF912S-1-32	E111739-1	32	30	3.8	22
SMF912-1-40	E106229-1	SMF912S-1-40	E111740-1	40	15	5.7	28
SMF912-1-50	E104201-1	SMF912S-1-50	E111741-1	50	15	5.7	28
SMF912-1-60	E104205-1	SMF912S-1-60	E111742-1	60	15	5.7	28
SMF912-1-63	E106230-1	SMF912S-1-63	E111743-1	63	15	5.7	28
SMF912-1-100	E104209-1	SMF912S-1-100	E111744-1	100	10	6.6	38
SMF912-1-125	E106231-1	SMF912S-1-125	E111745-1	125	5	9.4	63
SMF912-1-150	E104213-1	SMF912S-1-150	E111746-1	150	5	9.4	63
SMF912-1-200	E104217-1	SMF912S-1-200	E111747-1	200	5	9.4	63
SMF912-1-225	E104221-1	SMF912S-1-225	E111748-1	225	4	9.4	85
SMF912-1-250	E104225-1	SMF912S-1-250	E111749-1	250	2	9.4	85
SMF912-1-300	E104229-1	SMF912S-1-300	E111750-1	300	0.5	9.4	105
SMF912-1-400	E104233-1	SMF912S-1-400	E111751-1	400	0.5	9.4	105
SMF912-1-600	E104237-1	SMF912S-1-600	E111752-1	600	0.4	9.4	190
SMF912-1-800	E106224-1	SMF912S-1-800	E111753-1	800	0.3	9.4	245
SMF912-1-1000	E104245-1	SMF912S-1-1000	E111754-1	1000	0.3	9.4	245
SMF912-1-1200	E104249-1	SMF912S-1-1200	E111755-1	1200	0.2	9.4	300
SMF912-1-1600	E104253-1	SMF912S-1-1600	E111756-1	1600	0.1	9.4	320
SMF912-1-2000	E108531-1	SMF912S-1-2000	E111757-1	2000	0.06	9.4	350
SMF912-1-2500	E108532-1	SMF912S-1-2500	E111758-1	2500	0.04	9.4	365
SMF912-1-3000	E108533-1	SMF912S-1-3000	E111759-1	3000	0.04	9.4	480

SMF912S – Standard Performance with Surge Suppressor

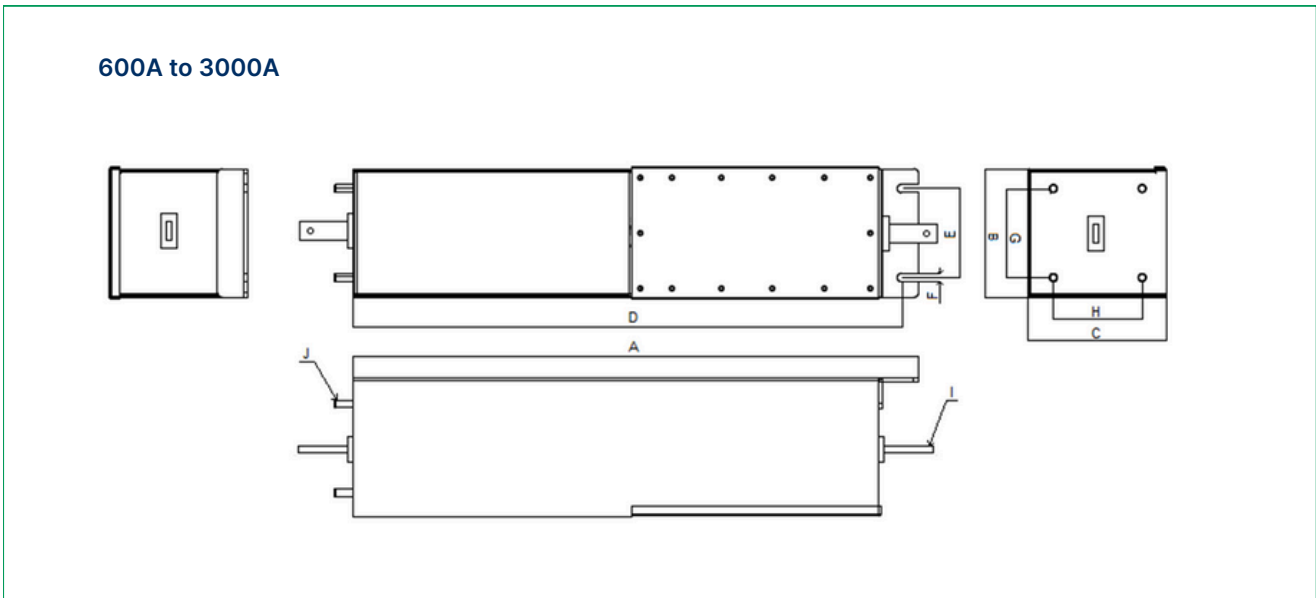
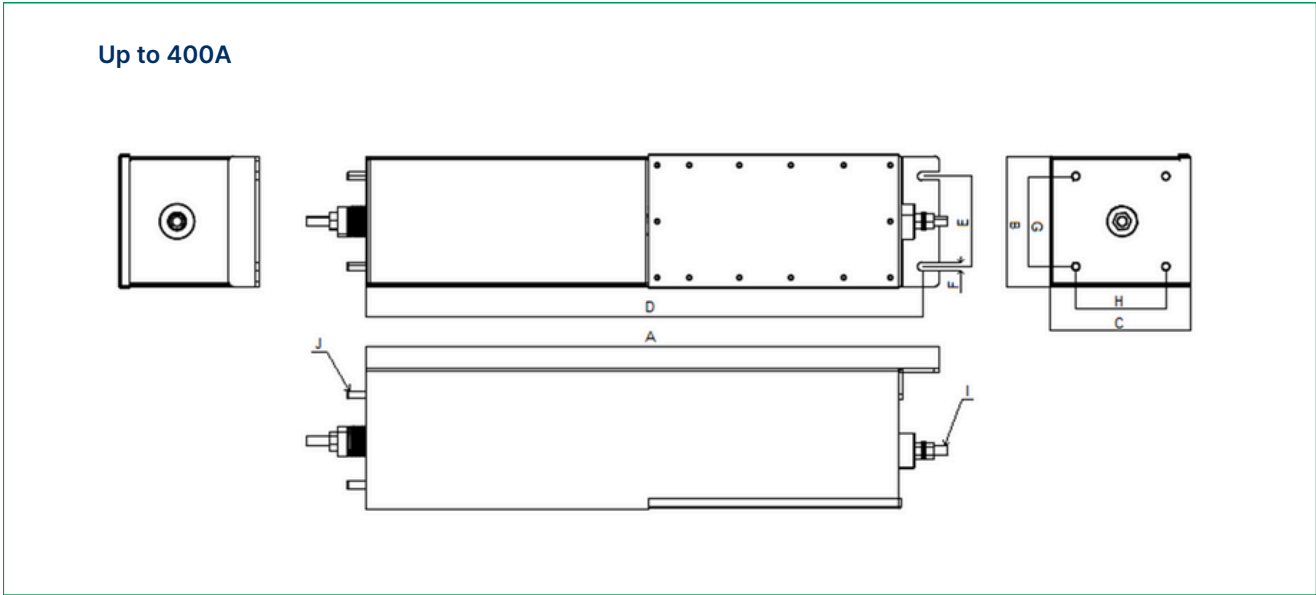
Note: EXXXXXX - Y

- Y - Indicates Enclosure Paint Color
- 1 - Olive Green RAL 6003
- 2 - Light Grey RAL 7035
- 3 - Dark Grey RAL 7046

Note:

1. Earth Leakage Current is measured at 250VAC, 50Hz
2. This Filter series have very high leakage current to the ground, it is recommended to use Earth Leakage Circuit Breaker (ELCB) or Residual Circuit Breaker (RCCB) at the load side of filter
3. Different Enclosure Paint Colors are provided on request

Mechanical Drawing :



Mechanical Dimensions :

Up to 400A

Rated Current (A)	A	B	C	D	E	ØF	G	H	I	J
6	600	130	110	585	90	8.5	90	70	M6	M5
10	600	130	110	585	90	8.5	90	70	M6	M5
16	700	130	110	685	90	8.5	90	70	M8	M5
20	700	130	110	685	90	8.5	90	70	M8	M5
25	700	130	110	685	90	8.5	90	70	M8	M5
30	700	130	110	685	90	8.5	90	70	M8	M5
32	700	130	110	685	90	8.5	90	70	M8	M5
40	850	130	110	835	90	8.5	90	70	M8	M6
50	850	130	110	835	90	8.5	90	70	M8	M6
60	850	130	110	835	90	8.5	90	70	M8	M6
63	850	130	110	835	90	8.5	90	70	M8	M6
100	1000	160	130	985	110	8.5	120	90	M10	M8
125	1000	160	130	985	110	8.5	120	90	M10	M8
150	1000	160	130	985	110	8.5	120	90	M10	M8
200	1200	200	150	1180	140	11	150	90	M12	M8
225	1200	200	150	1180	140	11	150	90	M12	M8
250	1200	200	150	1180	140	11	150	90	M12	M8
300	1400	240	180	1375	160	13	180	120	M18	M10
400	1400	240	180	1375	160	13	180	120	M18	M10

600A to 3000A

Rated Current (A)	A	B	C	D	E	ØF	G	H	I	J
600	1500	300	240	1470	200	18	220	160	50x8	M10
800	1700	300	240	1660	200	18	220	160	50x8	M10
1000	1700	300	240	1660	200	18	220	160	60x10	M10
1200	1700	300	240	1660	200	18	220	160	80x10	M10
1600	2000	400	300	1950	280	22	300	200	125x10	M12
2000	2000	400	300	1950	280	22	300	200	125x16	M12
2500	2500	450	350	2450	340	22	340	260	127x16	M14
3000	2700	450	350	2650	340	22	340	260	130x20	M14

All dimensions are in mm;

Note: The output threaded tube or Bulk-head Penetration Pipe along with accessories shall be supplied on request

Ordering Information: 2 Lines

Model Number	Part Number	Model Number	Part Number	Rated Current @50°C (A)	DC Resistance (mΩ)	Maximum Leakage Current (A)	Min. Weight (Kgs)
SMF912-2-6	E106232-1	SMF912S-2-6	E111760-1	6A	30	3.8	45
SMF912-2-10	E106233-1	SMF912S-2-10	E111761-1	10A	30	3.8	45
SMF912-2-16	E106234-1	SMF912S-2-16	E111762-1	16A	30	3.8	45
SMF912-2-20	E106235-1	SMF912S-2-20	E111763-1	20A	30	3.8	50
SMF912-2-25	E106237-1	SMF912S-2-25	E111764-1	25A	30	3.8	50
SMF912-2-30	E104200-1	SMF912S-2-30	E111765-1	30A	30	3.8	50
SMF912-2-32	E106238-1	SMF912S-2-32	E111766-1	32A	30	3.8	50
SMF912-2-40	E106239-1	SMF912S-2-40	E111767-1	40A	15	5.7	60
SMF912-2-50	E104202-1	SMF912S-2-50	E111768-1	50A	15	5.7	60
SMF912-2-60	E104206-1	SMF912S-2-60	E111769-1	60A	15	5.7	60
SMF912-2-63	E106240-1	SMF912S-2-63	E111770-1	63A	15	5.7	60
SMF912-2-100	E104210-1	SMF912S-2-100	E111771-1	100A	10	6.6	80
SMF912-2-125	E106241-1	SMF912S-2-125	E111772-1	125A	5	9.4	130
SMF912-2-150	E104214-1	SMF912S-2-150	E111773-1	150A	5	9.4	130
SMF912-2-200	E104218-1	SMF912S-2-200	E111774-1	200A	5	9.4	130
SMF912-2-225	E104222-1	SMF912S-2-225	E111775-1	225A	4	9.4	130
SMF912-2-250	E104226-1	SMF912S-2-250	E111776-1	250A	2	9.4	250
SMF912-2-300	E104230-1	SMF912S-2-300	E111777-1	300A	0.5	9.4	250
SMF912-2-400	E104234-1	SMF912S-2-400	E111778-1	400A	0.5	9.4	250
SMF912-2-600	E104238-1	SMF912S-2-600	E111779-1	600A	0.4	9.4	350
SMF912-2-800	E104242-1	SMF912S-2-800	E111780-1	800A	0.3	9.4	600
SMF912-2-1000	E104246-1	SMF912S-2-1000	E111781-1	1000A	0.3	9.4	600
SMF912-2-1200	E104250-1	SMF912S-2-1200	E111782-1	1200A	0.2	9.4	700
SMF912-2-1600	E104254-1	SMF912S-2-1600	E111783-1	1600A	0.1	9.4	700
SMF912-2-2000	E108534-1	SMF912S-2-2000	E111784-1	2000A	0.06	9.4	800
SMF912-2-2500	E108535-1	SMF912S-2-2500	E111785-1	2500A	0.04	9.4	800
SMF912-2-3000	E108536-1	SMF912S-2-3000	E111786-1	3000A	0.04	9.4	1000

SMF912S – Standard Performance with Surge Suppressor

Note: EXXXXXX - Y

Y - Indicates Enclosure Paint Color

1 - Olive Green RAL 6003

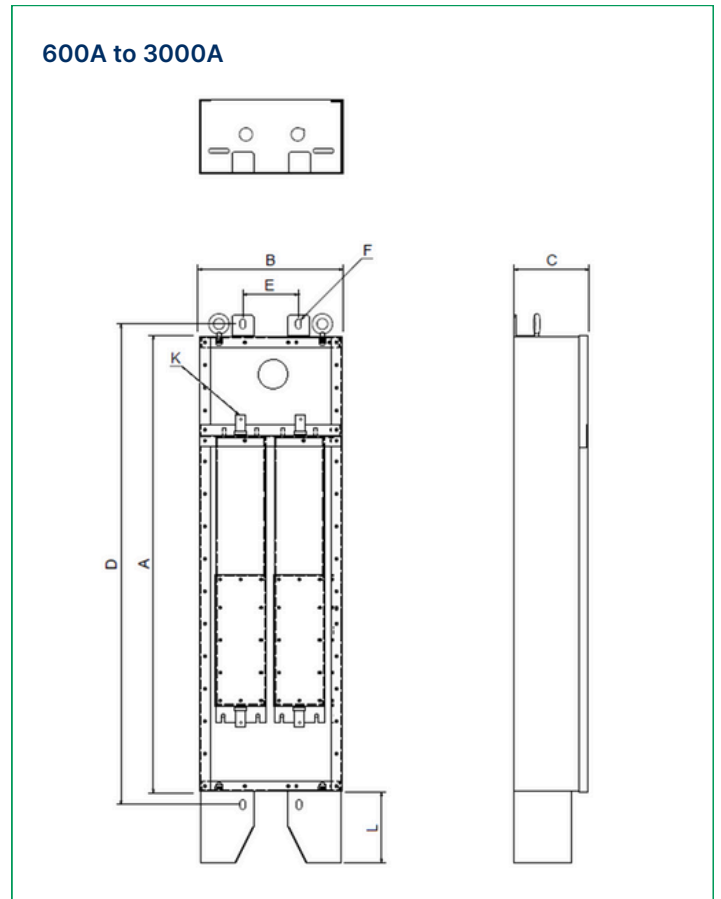
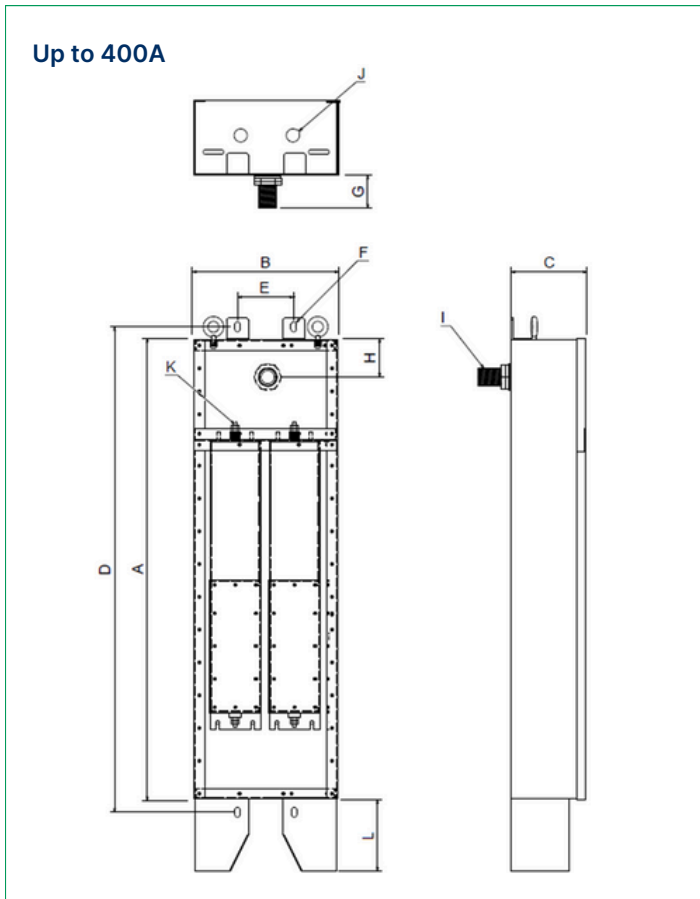
2 - Light Grey RAL 7035

3 - Dark Grey RAL 7046

Note:

1. Earth Leakage Current is measured at 250VAC, 50Hz
2. This Filter series have very high leakage current to the ground, it is recommended to use Earth Leakage Circuit Breaker (ELCB) or Residual Circuit Breaker (RCCB) at the load side of filter
3. Different Enclosure Paint Colors are provided on request

Mechanical Drawing :



Mechanical Dimensions :

Up to 400A

Rated Current (A)	A	B	C	D	E	ØF	G	H	I	J	K	L
6	900	350	160	950	240	Ø13x28	120	80	M32	30	M6	200
10	900	350	160	950	240	Ø13x28	120	80	M32	30	M6	200
16	1000	350	160	1050	240	Ø13x28	120	80	M44	30	M8	200
20	1000	350	160	1050	240	Ø13x28	120	80	M44	30	M8	200
25	1000	350	160	1050	240	Ø13x28	120	80	M44	30	M8	200
30	1000	350	160	1050	240	Ø13x28	120	80	M44	30	M8	200
32	1000	350	160	1050	240	Ø13x28	120	80	M44	30	M8	200
40	1150	350	160	1200	240	Ø13x28	120	80	M44	30	M8	200
50	1150	350	160	1200	240	Ø13x28	120	80	M44	30	M8	200
60	1150	350	160	1200	240	Ø13x28	120	80	M44	30	M8	200
63	1150	350	160	1200	240	Ø13x28	120	80	M44	30	M8	200
100	1350	430	190	1410	300	Ø18x35	150	100	M80	50	M10	250
125	1350	430	190	1410	300	Ø18x35	150	100	M80	50	M10	250
150	1350	430	190	1410	300	Ø18x35	150	100	M80	50	M10	250
200	1550	540	210	1610	340	Ø18x35	150	140	M150	60	M12	300
225	1550	540	210	1610	340	Ø18x35	150	140	M150	60	M12	300
250	1550	540	210	1610	340	Ø18x35	150	140	M150	60	M12	300
300	1900	620	250	1970	440	Ø22x40	150	140	M150	100	M18	400
400	1900	620	250	1970	440	Ø22x40	150	140	M150	100	M18	400

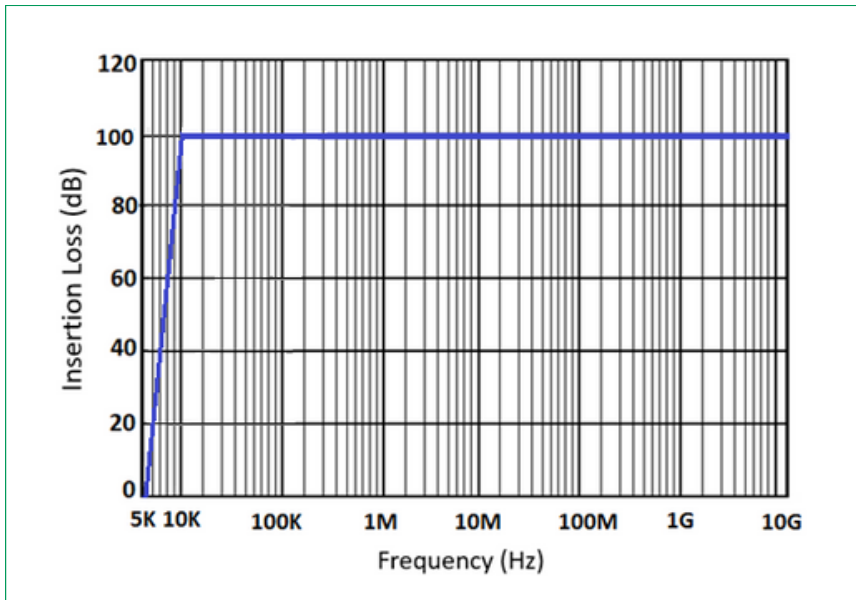
600A to 3000A

Rated Current (A)	A	B	C	D	E	ØF	K	L
600	2100	750	310	2180	560	Ø22x50	50x8	400
800	2300	750	310	2380	560	Ø22x50	50x8	400
1000	2300	750	310	2380	560	Ø22x50	60x10	400
1200	2300	750	310	2380	560	Ø22x50	80x10	400
1600	2800	950	380	2900	760	Ø22x50	125x10	400
2000	2800	950	380	2900	760	Ø22x50	125x16	400
2500	3400	1100	430	3520	860	Ø22x50	127x16	400
3000	3600	1100	430	3720	860	Ø22x50	130x20	400

All dimensions are in mm;

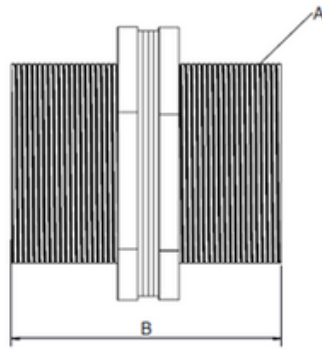
Note: The output threaded tube or Bulk-head Penetration Pipe along with accessories shall be supplied on request

Insertion Loss Graph :



Accessories Details :

Bulk Head Penetration Kit

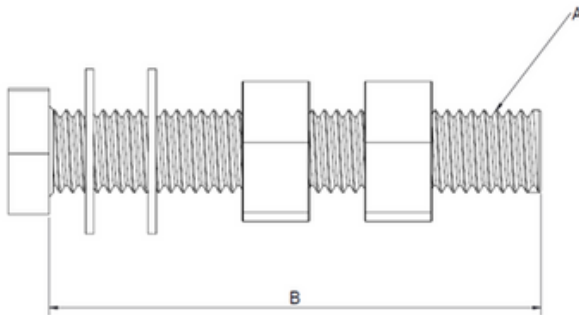


Accessories :

1. Threaded Pipe - 1 No
2. Plain Washer - 2 No's
3. Hex Nut - 2 No's
4. Gasket - 2 No's

SL No.	Part Number	Description	Thread(A) X Length(B)
1	E111914-1	BULKHEAD PENETRATION KIT FOR M20	M20X100
2	E111915-1	BULKHEAD PENETRATION KIT FOR M25	M25X100
3	E111916-1	BULKHEAD PENETRATION KIT FOR M32	M32X100
4	E111917-1	BULKHEAD PENETRATION KIT FOR M40	M40X100
5	E111918-1	BULKHEAD PENETRATION KIT FOR M50	M50X100
6	E111919-1	BULKHEAD PENETRATION KIT FOR M63	M63X100
7	E111920-1	BULKHEAD PENETRATION KIT FOR M75	M75X100

Fixing Screw Kit



Accessories :

1. Bolt - 1 No
2. Plain Washer - 2 No's
3. Hex Nut - 2 No's

SL No.	Part Number	Description	Thread(A) X Length(B)
1	E111921-1	FIXING SCREW KIT FOR M5	M5X40
2	E111922-1	FIXING SCREW KIT FOR M6	M6X40
3	E111923-1	FIXING SCREW KIT FOR M8	M8X50
4	E111924-1	FIXING SCREW KIT FOR M10	M10X50
5	E111925-1	FIXING SCREW KIT FOR M12	M12X60
6	E111926-1	FIXING SCREW KIT FOR M16	M16X60
7	E111927-1	FIXING SCREW KIT FOR M20	M20X70

Note: The suggested Fasteners can be used with a mounting surface thickness up to 20mm