



DATASHEET

Single Phase Tempest Filter – MF710

These series range of Single Phase Filters are designed to use in wide range of applications. Give superior performance when used in applications with low Impedance loads controlling pulsed, continuous and intermittent noise and where high levels of mains borne interference are present.

Technical Specifications:

Maximum Continuous Operating Voltage	: 250VAC
Current Rating	: 1A to 32A @40°C
Operating Frequency	: 50/60 Hz
Leakage Current	: 1.2mA
High Potential Test Voltage	: L to G 2200VDC for 1 Minute L to L 1440VDC for 1 Minute
Design Corresponding to	: UL 1283, CSA 22.2 No.8-13 and IEC 60939
Temperature Range	: -25°C to +85°C
Insertion Loss Performance	: 80dB from 100kHz to 1GHz

Approvals & Compliances:



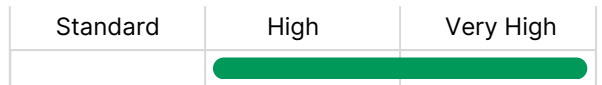
Features:

- Excellent performance / Size ratio
- Rated Current up to 32A
- Full frequency spectrum
- IEC Inlet Connector

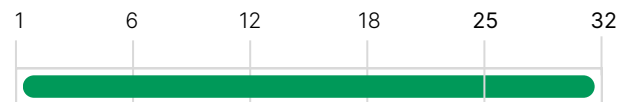
Applications:

- Shielded Chamber MRI
- Scanning Chamber
- Test & measurement equipment
- Medical Application

Performance Indicator:



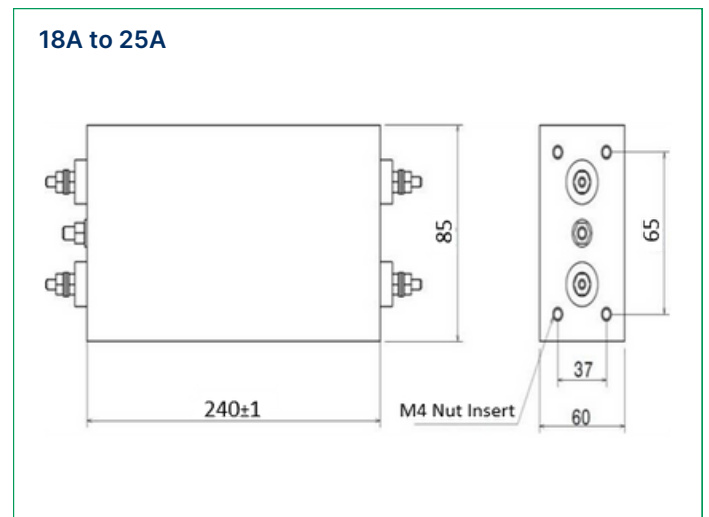
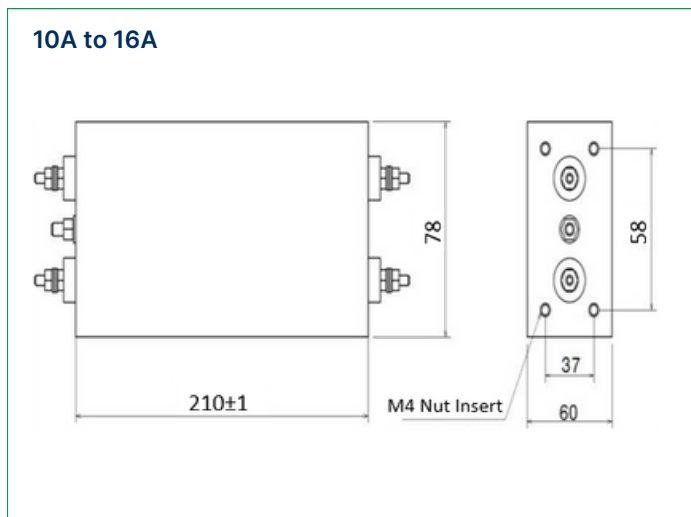
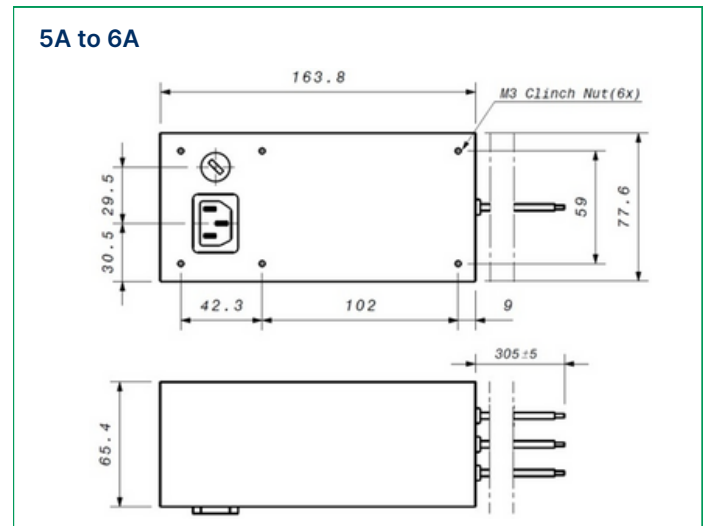
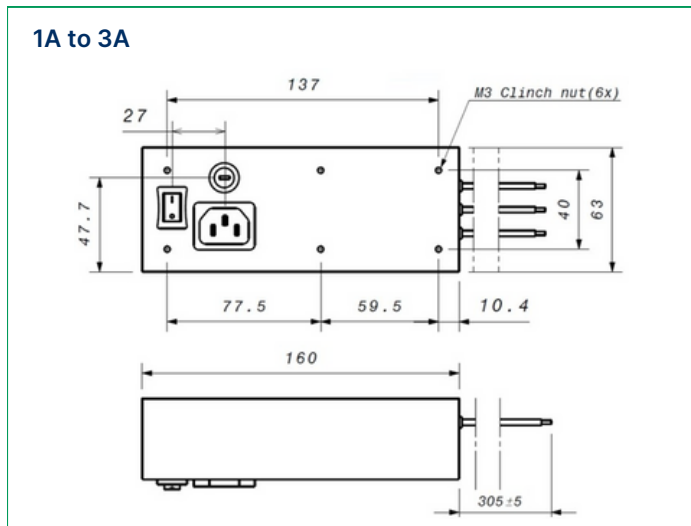
Rated Current (A):



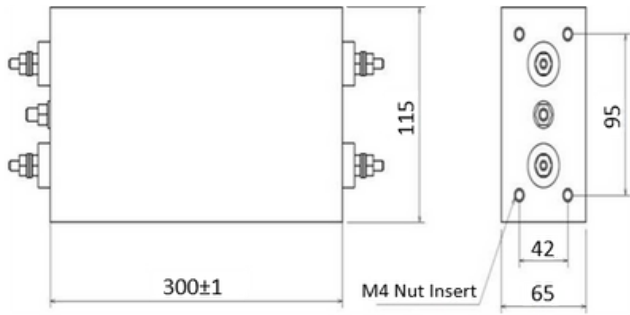
Ordering Information:

Model Number	Part Number	Rated Current (A)	Input Termination	Output Termination	Min. Weight (Kgs)
MF710	E100749-2	1	IEC Inlet Connector (C14)	Cable	1.5
MF710	E100749-3	2	IEC Inlet Connector (C14)	Cable	1.5
MF710	E100749-4	3	IEC Inlet Connector (C14)	Cable	1.5
MF710	E100749-5	5	IEC Inlet Connector (C14)	Cable	2.5
MF710	E100749-6	6	IEC Inlet Connector (C14)	Cable	2.5
MF710	E100749-7	10	M4	M4	4
MF710	E100749-8	12	M4	M4	4
MF710	E100749-9	15	M4	M4	4
MF710	E100749-10	16	M4	M4	4
MF710	E100749-11	18	M5	M5	4.5
MF710	E100749-12	20	M5	M5	4.5
MF710	E100749-13	25	M5	M5	4.5
MF710	E100749-14	30	M5	M5	5
MF710	E100749-15	32	M5	M5	5

Mechanical Drawing :



30A to 32A



All Dimensions in mm; Tolerance according to ISO2768-C

Insertion Loss Graph :

