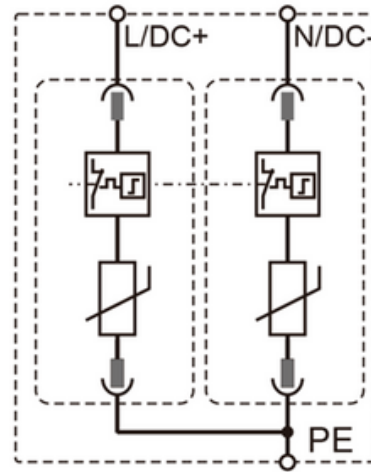

Features:

- Plug-in Module Design
- High Flow Discharge, full protection Mode
- Built-in backup Protector, high reliability
- Fault Indication Mark Window

Applications:

- Solar PV Surge Protectors
- DC Industrial System
- Charging stations
- Battery storage system

Type Circuit Diagram:

DATASHEET
DC Surge Protector – DSP406

A DC surge protector is widely used to protect the photovoltaic panel, inverter, and other equipment in the solar photovoltaic power generation system and provide all round surge protection for the photovoltaic power generation..

Technical Specifications:

Part Number	:E112453-1
SPD type	:T2/Class C
Maximum Continuous Operating Voltage	:600VDC
Nominal discharge current 15x 8/20 μ s impulses	:20 kA DC+ -PE/DC--PE
Max. Discharge current max. withstand @ 8/20 μ s by pole	:40 kA DC+ -PE/DC--PE
Operating temperature	:-40°C to +80°C
Temporary Over Voltage (TOV) Characteristics-5 sec. without disconnection	:1200V/5 sec
Response Time	:<25ns
Back -up Fuse	:125A CylgG

Temporary Over Voltage (TOV) Characteristics-120 min without disconnection	:440V/120 min withstand
Residual Current Leakage current to Ground	:<20μA
Protection mode(s)	:DC+ -PE/DC--PE
Protection level L/PE @ In (8/20μs)	:≤1.8 kV
Admissible short-circuit current	:25kA rms
Technology	:MOV
SPD configuration	:One port
Connection to Network By screw terminals	:Yes
Mounting	:35mm DIN Rail
Housing material	:Flame Retardant PBT
Protection rating	:IP 20
Failsafe mode	:Thermal Disconnect
Disconnection indicator	:Yes
Spare module(s)	:Available
Remote signaling of disconnection	:Yes
wiring for remote signaling	:COM,NC,NO
Max. Voltage/Current for remote signaling	:AC: 250V/1.0A
Weight(KG)	:0.4KG
Thermal disconnecter	:YES
Back-up protection device	:Necessary
Accessories	:Cartridge:40kA :Part Number: E113086-1

Mechanical Information

