


Features:

- Compact Design
- Temperature Stability
- Designed to match the impedance of the transmission line

Applications:

- Communication cabins
- Shielded Rooms
- Sensitive Compartmented Information Facilities
- Wireless Networks
- RF and Microwave Equipment

DATASHEET
LIGHTNING CONNECTOR – CMF950

Lightning Connectors are available with different Terminations (BNC-BNC, TNC-TNC, BNC-TNC, N-BNC, N-TNC) These type of Filters are ideal for radio astronomy, fixed-mobile, and wireless audio transmitter and receiver signal chains due to the low insertion loss combined with excellent power handling applications.

Technical Specifications:

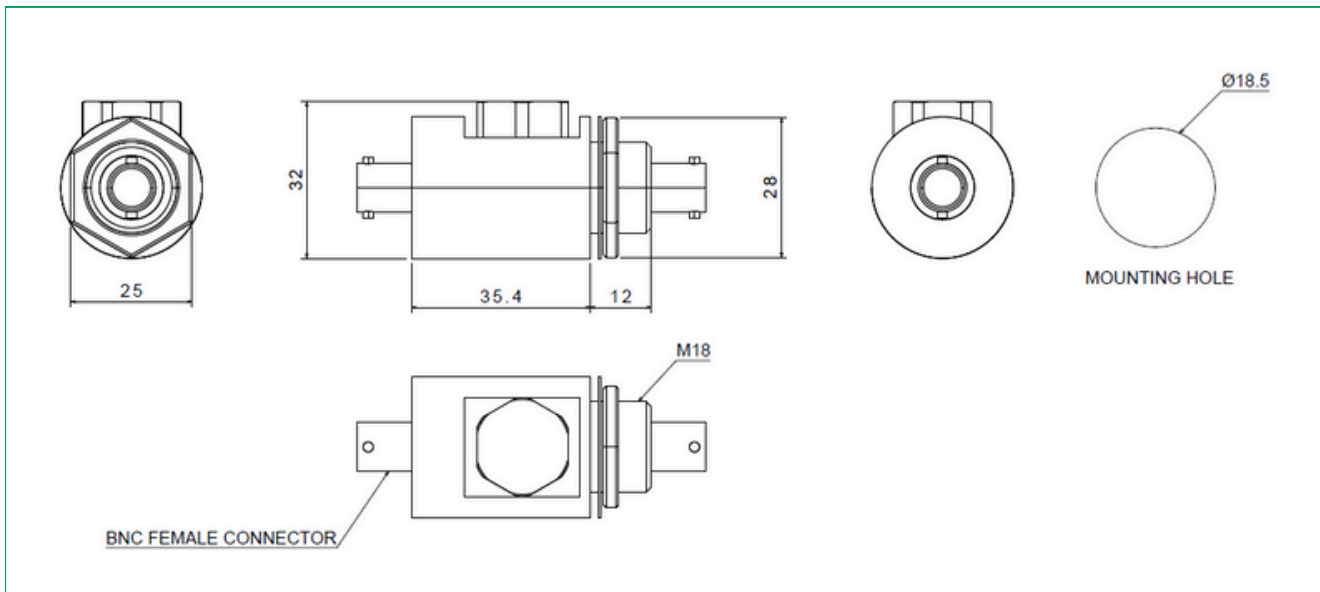
| | |
|---------------------------|------------------------------|
| Maximum Surge current | : 20kA @8/20µs, Single Pulse |
| Lightning Impulse Current | : 2kA, Single Pulse |
| Material | : Aluminium or Brass |
| Dimensions | : 44 mm (L) X 28 mm (H) |
| Min. Weight | : 300g |
| Cut Out Hole | : Ø18 |

Ordering Information:

| Model Number | Part Number | Connector Type | Weight (Kgs) |
|--------------|-------------|----------------|--------------|
| CMF950-1-BB | E108658-1 | BNC-BNC | 0.3 |
| CMF950-1-TT | E108659-1 | TNC-TNC | 0.3 |
| CMF950-1-BT | E108660-1 | BNC-TNC | 0.3 |
| CMF950-1-NB | E108661-1 | N-BNC | 0.3 |
| CMF950-1-NT | E108662-1 | N-TNC | 0.3 |

Note: Select Model as per connector type. e.g. Model Number : CMF950-1-XX Where, XX=BB (BNC-BNC Connector)

Mechanical Drawing:



Note: All dimensions in mm; Tolerances according to ISO2768-C

Accessories :

1. Gasket - 2 No's
2. Washer -2 No's
3. Nut - 1 No