


Features:

- Very easy to Install
- Fast Response Time
- Durability

Applications:

- Communication Cabins
- Low Power Source
- Shielded Rooms
- Sensitive Compartmented Information Facilities

Performance Indicator:

Standard	High	Very High
█	█	

DATASHEET
**CONTROL LINE EMP
SURGE PROTECTOR – CMF94B**

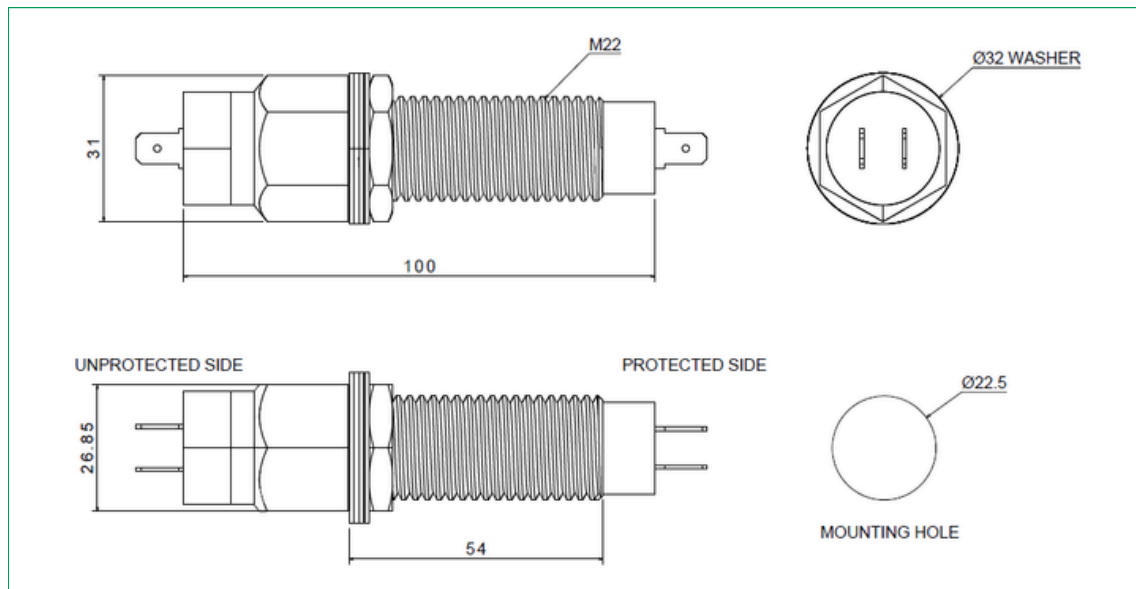
Control Line EMP Surge Protectors are available with transient protection which offers additional protection of circuits against the effects of secondary EMP, Lightning and other Conducted Transients.

Technical Specifications:

Model Number	: CMF94B-2-6
Part Number	: E107276-1
Maximum Operating Voltage	: ± 48 V DC / 32 V AC
Maximum operating current	: 6A
DC Resistance	: < 40mΩ
Maximum Surge current	: 20kA @8/20μs
Max. Lighting Impulse Current	: 2kA
Residual Voltage	: <700V
Earth Leakage Current	: <1mA
Operating Temperature Range	: - 40° C to +85° C
Connection Terminals	: 6.3mm Faston Terminal

Max. Torque	: 25 Nm
Dimensions (Overall)	: 100mm X 22mm X 31 mm
Min. Weight	: 300g
EMP Protection	: As per MIL-STD-188-125-1/2 (Charge Line Method)

Mechanical Drawing:



Note: All dimensions in mm; Tolerances according to ISO2768-C

Accessories :

1. Mating plug-in 2.8 - 2 No's
2. Washer - 2 No's
3. Nut - 1 No