


Features:

- Very easy to Install
- Very Compact
- Models with various data rates is available

Applications:

- Defence Equipment
- Shielded Rooms
- Data Lines
- MIL Grade Panels

DATASHEET
**ETHERNET RJ45 EMP
SURGE PROTECTOR – CMF93A**

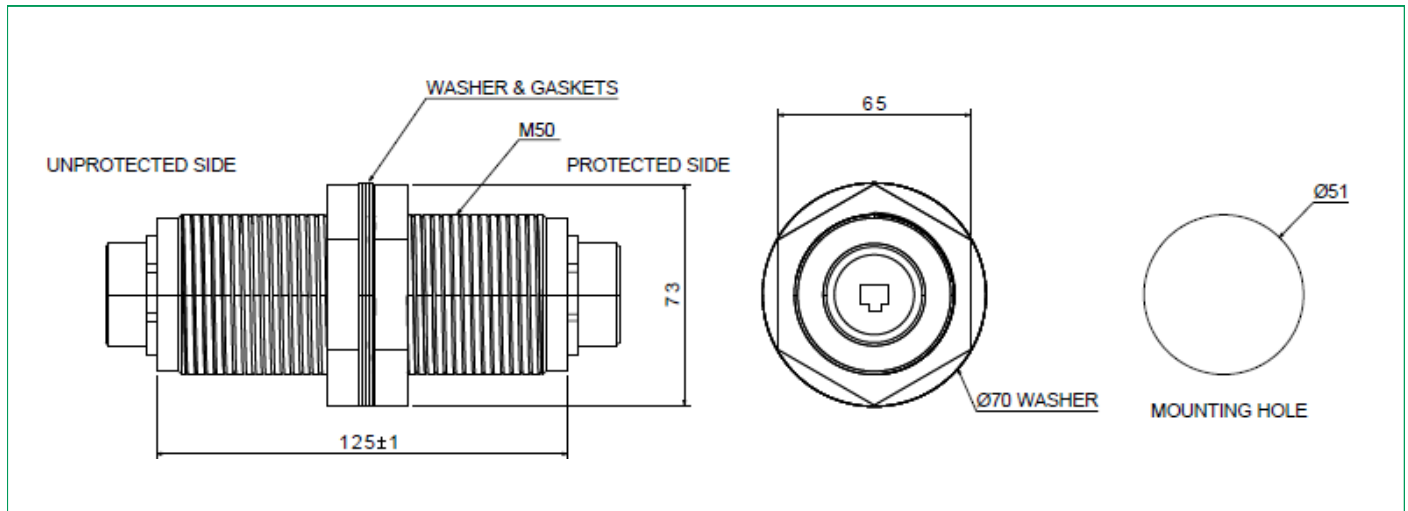
Ethernet EMP Surge Protectors are designed to meet all the requirement of MIL-STD-188-125-1&2 and IEC 61006-2. These Filter are classified under unrestricted lines of Intrasite of MIL STD- 188- 125-1&2 of Data and Tested for the same. MIL circular connector are provided at the input side of the Filters which helps in easy termination and protection as well.

Technical Specifications:

Model Number	: CMF93A-6-0.25
Part Number	: E107250-1
Operating Voltage	: ± 3 VDC peak signal voltage between lines between wire pairs 1-2,3-6,4-5 and 7-8
Max. Operating Voltage	: ± 55 VDC Voltage pair to pair and Pair to ground (With POE)
Max. Operating current	: 250mA (each wire)
Data rate	: 10/100/1000 Mbps
Input / Output Connection	: RJ45 Female MIL-Circular Connector

Maximum Surge Current	: 20kA @8/20μs, Single Pulse
HEMP Protection	: MIL STD 188-125-1&2 E1 - input 1.8 kA, Residual - 2.5A
Enclosure/Finish	: Brass/ Plated
Min. Weight	: 1.85Kg

Mechanical Drawing:



Note: All dimensions in mm; Tolerances according to ISO2768-C

Accessories :

1. RJ45 Mating Connector - 2 No's
2. Plain Washer - 2 No's
3. Hex Nut - 2 No's
4. Gasket - 2 No's
5. Plastic Dust Cap - 2 No's