
**Features:**

- Very easy to Install
- Very Compact
- Models with various data rates is available

**Applications:**

- Defence Equipment
- Shielded Rooms
- Data Lines
- MIL Grade Panels

**DATASHEET**
**SERIAL PORT RS422 EMP SURGE PROTECTOR – CMF939**

Serial Port EMP Surge Protectors are designed to meet all the requirements of MIL-STD-188-125-1&2 and IEC 61000-6-2. These Filter are classified under unrestricted lines of Intrasite of MIL STD- 188-125-1&2 of Data and Tested for the same.

**Technical Specifications:**

Model Number	: CMF939-4-0.1
Part Number	: E107251-1
Operating Voltage	: $\pm 3$ VDC peak signal voltage between lines
Max. Operating Voltage	: $\pm 55$ VDC Voltage pair to pair and Pair to ground
Max. Operating current	: 100mA (each wire)
Data rate	: 12Mbps
Lightning Impulse Current	: 2kA each wire to ground/case
Input / Output Connection	: Rs422 Female MIL-circular Connector
Maximum Surge Current	: 20kA @8/20 $\mu$ s, Single Pulse
DC Resistance	: Less than 6 $\Omega$

HEMP Protection

: MIL STD 188-125-1&2

E1 - input 2.23 kA, Residual - 2.5A

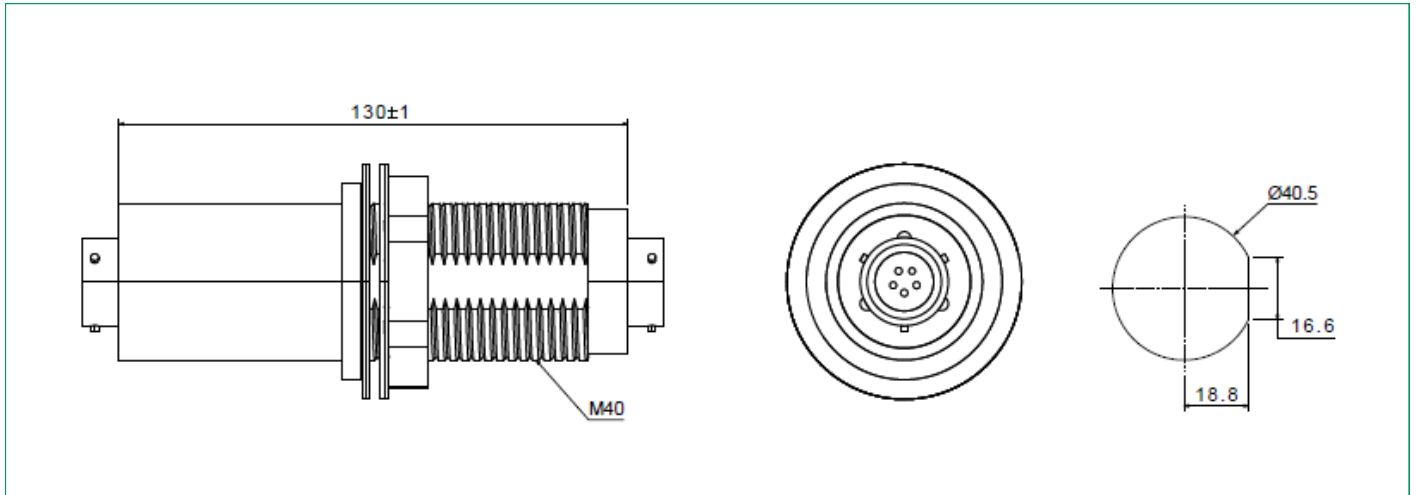
Enclosure/Finish

: Brass/ Plated

Min. Weight

: 1Kg

### Mechanical Drawing:



**Note:** All dimensions in mm; Tolerances according to ISO2768-C

### Accessories :

1. RS422 Mating Connector - 2 No's
2. Plain Washer - 2 No's
3. Hex Nut - 2 No's
4. Gasket - 2 No's
5. Plastic Dust Cap - 2 No's