



### Features:

- Compact Design
- Temperature Stability
- Designed to match the impedance of the transmission line (50Ω)
- Typically exhibit low insertion loss

### Applications:

- Communication cabins
- Shielded Rooms
- Sensitive Compartmented Information Facilities
- Wireless Networks
- RF and Microwave Equipment

## DATASHEET

# COAXIAL EMP SURGE PROTECTOR – CMF928

Coaxial EMP Surge Protector With 50Ω Impedance offer passbands from DC up to 2.5 GHz. These type of Filters are ideal for radio astronomy, fixed-mobile, and wireless audio transmitter and receiver signal chains due to the low insertion loss combined with excellent power handling applications.

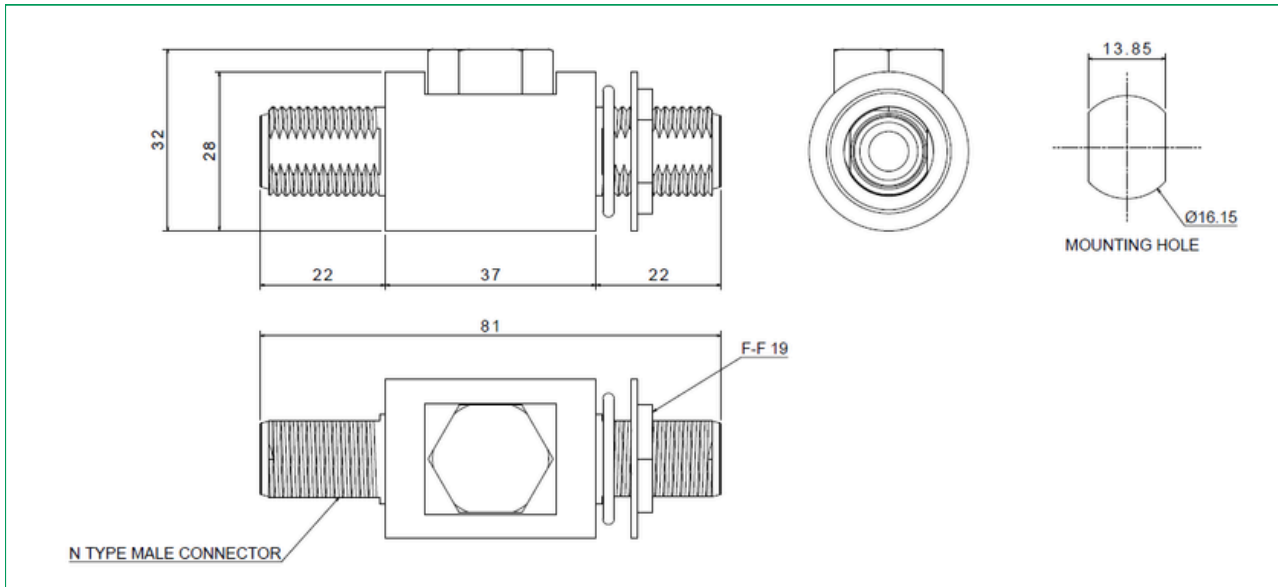
### Technical Specifications:

Frequency	: DC to 2.5GHz
Impedance	: 50Ω
Connector (Input & Output)	: N (F)
Input Power	: 100W, 200W, 400W
Insertion loss	: ≤0.5dB
Return loss	: ≤20 dB
Maximum Surge Current	: 20kA @8/20μs
EMP Compliance	: Single Pulse as per MIL STD 188-125-1(Charge Line Method)
Enclosure/Finish	: Brass/ Plated

## Ordering Information:

Model Number	Part Number	Min. Weight (Kgs)
CMF928-1-100	E107225-1	0.3
CMF928-1-200	E107249-1	0.3
CMF928-1-400	E108702-1	0.3

## Mechanical Drawing:



**Note:** All dimensions in mm; Tolerances according to ISO2768-C

## Accessories :

1. N(M) Dust Cap -2No's
2. Plain Washer -2No's
3. Hex Nut - 1No
4. Gasket - 2No's