


**Features:**

- Very easy to Install
- Fast Response Time
- Durability

**Applications:**

- Communication Cabins
- Shielded Rooms
- Sensitive Compartmented Information Facilities

**Performance Indicator:**

Standard	High	Very High
█		

**DATASHEET**
**TELEPHONE LINE EMP SURGE PROTECTOR – CMF925**

For carrying analogue telephone circuits into shielded rooms and communications cabins, range of high performance communications filters are designed and also used as in-line filters for Information Security applications. It provides protection against the effects of EMP and other transients.

**Technical Specifications:**

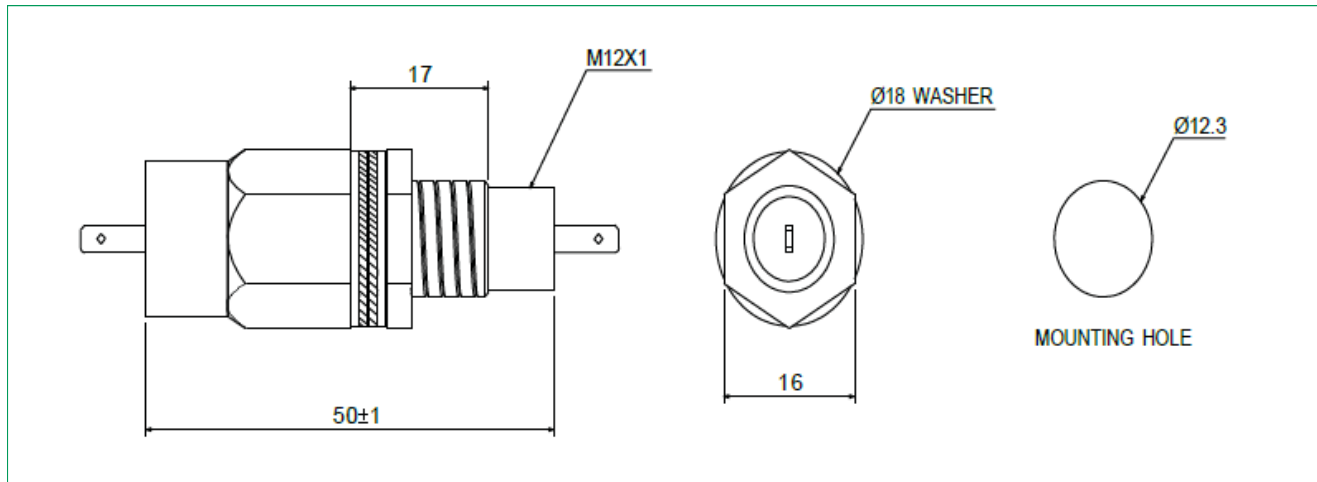
Model Number	: CMF925-1-0.125
Part Number	: E107252-1
Nominal Voltage	: 95VAC/125VDC
Nominal Current	: 125mA
No. of lines	: 1 Line
Maximum Surge current	: 20kA @8/20 $\mu$ s
Max. Lighting Pulse	: 2kA
Residual Voltage	: <600V
Low Cut-off frequency	: 180 kHz (3dB)
AC Leakage Current	: <100mA

EMP Compliance : MIL-STD-188-125-1/2

Enclosure/Finish : Brass/Plated

Min. Weight : 300g

### Mechanical Drawing:



**Note:** All dimensions in mm; Tolerances according to ISO2768-C

### Accessories :

1. Mating plug-in 2.8 - 2 No's
2. Washer - 2 No's
3. Nut - 1 No