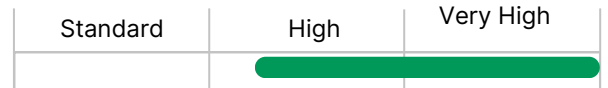
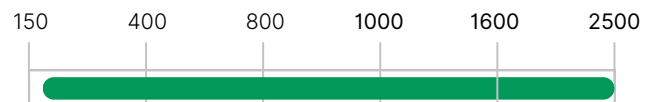



**Features:**

- Current rating for all filters available up to 2500 A.
- TMF3333 boosts the conducted immunity of installations
- Available with screw and Bus bar terminals
- Protective cover is supplied on request.
- An efficient, small-footprint high-current filter solution.
- TMF3333 HV versions are compatible with IT Power Networks.

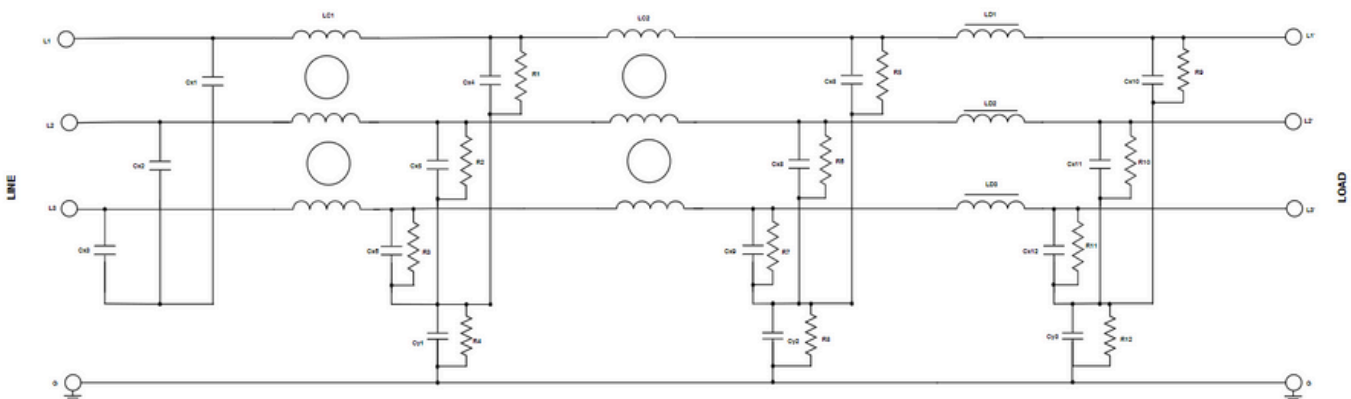
**Applications:**

- CNC Machines
- Highpower motor drives, inverters and converters Industrial
- Large UPS
- Machinery Mining equipment Photovoltaic systems with galvanic isolation

**Performance Indicator:**

**Rated Current (A):**

**DATASHEET**

# Three phase High-current EMI Filter -TMF3333

These series are primarily used for high-current applications, providing excellent attenuation across a broad frequency range. With high-quality components and advanced design, these filters will effectively manage high power loads while maintaining reliable performance. Additionally, filters help to reduce the impact of electrical noise on sensitive equipment and ensure a cleaner power supply, preventing damage and maintaining the stability of the overall system.



**Type Circuit Diagram:**


**TMF3333HV versions does not include Discharge resistance to ground.**



## Technical Specifications:

Maximum Continuous Operating Voltage	:520VAC (TMF3333) 760VAC(TMF3333HV)
Operating Frequency	:50/60 Hz
Current ratings	:150A to 1000A @ 50°C; 1600A to 2500 @ 40°C
High Potential test voltage	:L → G 2856 VDC for 2 sec (TMF3333) L → L 2236 VDC for 2 sec (TMF3333) L → G 3528 VDC for 2 sec (TMF3333HV) L → L 3268 VDC for 2 sec (TMF3333HV)
Overload Capability	:4x rated current at switch on, 135% of rated current for 15 minutes
Flammability according to	:UL 94 V-0
Protection category	:IP 00
Overvoltage category	:III acc. IEC 60664-1
Design Corresponding to	:UL 60939-3 & IEC 60939-1&2, CSA C22.2 No.8-13
Temperature range	:-25°C to +100°C
Climatic Category	:25/100/21

## Ordering Information

Standard Performance Version							
Model Number	Part Number	Current Rating @50°C(A)	Leakage current @ 520 VAC/ 50 Hz (mA)	Power loss @25°C / 50Hz (W)	Termination		Min. Weight (kg)
							
TMF3333-150-1	E108329-1	150	5.5	25	-1	-	6
TMF3333-180-1	E108330-1	180	5.5	35	-1	-	6
TMF3333-250-1	E108331-1	250	5.5	50	-1	-	10
TMF3333-320-3	E108332-1	320	5.5	20	-	-3	11
TMF3333-400-3	E108333-1	400	5.5	30	-	-3	11
TMF3333-600-3	E108334-1	600	5.5	45	-	-3	13
TMF3333-800-3	E108335-1	800	6	40	-	-3	20
TMF3333-1000-3	E108336-1	1000	6	60	-	-3	20
TMF3333-1600-3	E108337-1	1600	5.5	135	-	-3	30
TMF3333-2500-3	E108338-1	2500	5.5	300	-	-3	70

### High voltage versions

Model Number	Part Number	Current Rating @50°C(A)	Leakage current @ 520 VAC/ 50 Hz (mA)	Power loss @25°C / 50Hz (W)	Termination		Min.Weight (kg)
							
TMF3333HV-150-1	E108339-1	150	7.5	25	-1	-	6
TMF3333HV-180-1	E108340-1	180	7.5	35	-1	-	6
TMF3333HV-250-1	E108341-1	250	7.5	50	-1	-	10
TMF3333HV-320-3	E108342-1	320	7.5	20	-	-3	11
TMF3333HV-400-3	E108343-1	400	7.5	30	-	-3	11
TMF3333HV-600-3	E108344-1	600	7.5	45	-	-3	13
TMF3333HV-800-3	E108345-1	800	7.5	40	-	-3	20
TMF3333HV-1000-3	E108346-1	1000	7.5	60	-	-3	20
TMF3333HV-1600-3	E108347-1	1600	7.5	135	-	-3	30
TMF3333HV-2500-3	E108348-1	2500	8	300	-	-3	70

Note : Standardized Leakage Current calculation as per IEC60939 under normal operating conditions.

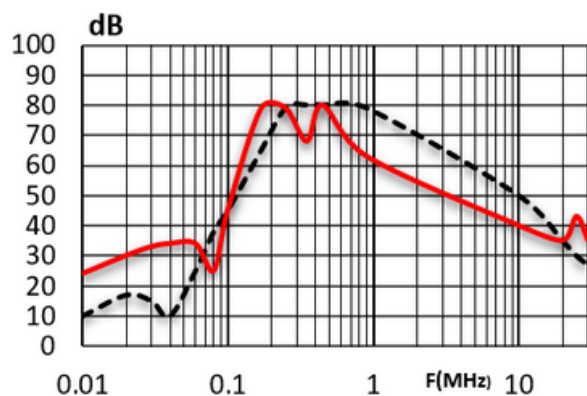
### Insertion Loss

..... Common mode ——— Differential Mode

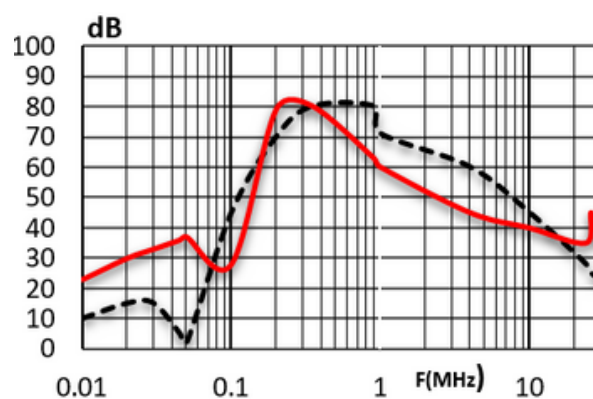
Per CISPR 17; C=50Ω/50Ω D=50Ω/50Ω

#### Standard Version

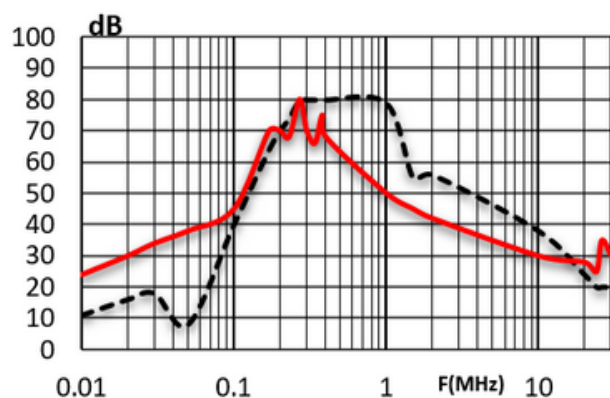
##### 150A to 180A



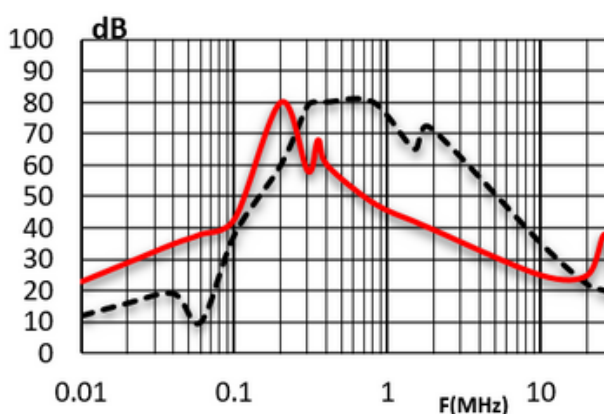
##### 250A to 600A



##### 800A to 1000A

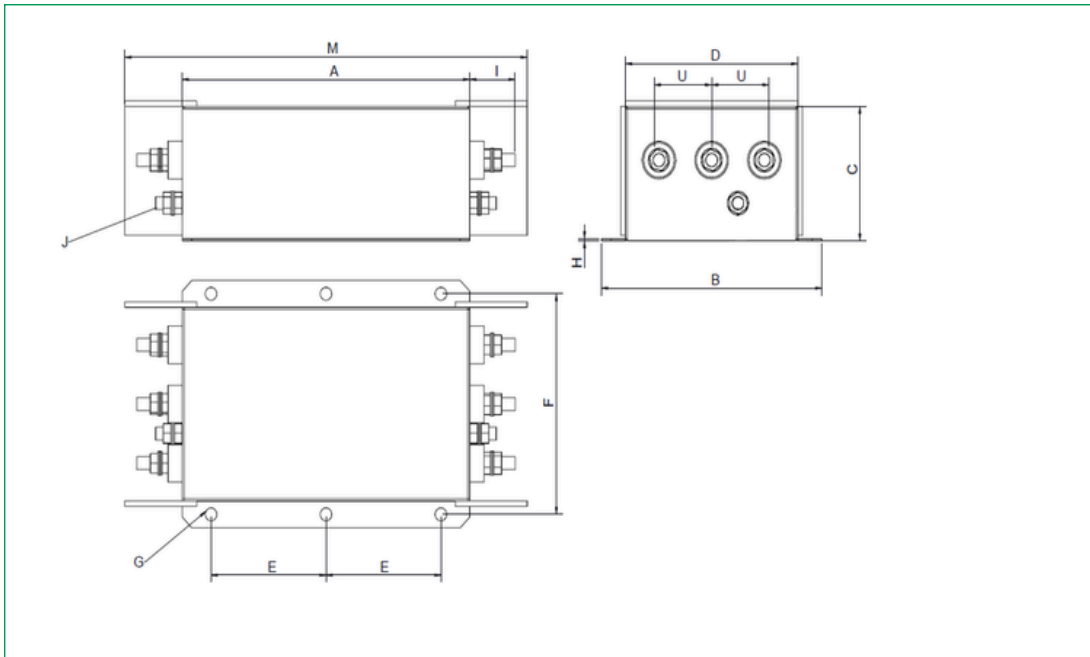


##### 1600A to 2500A

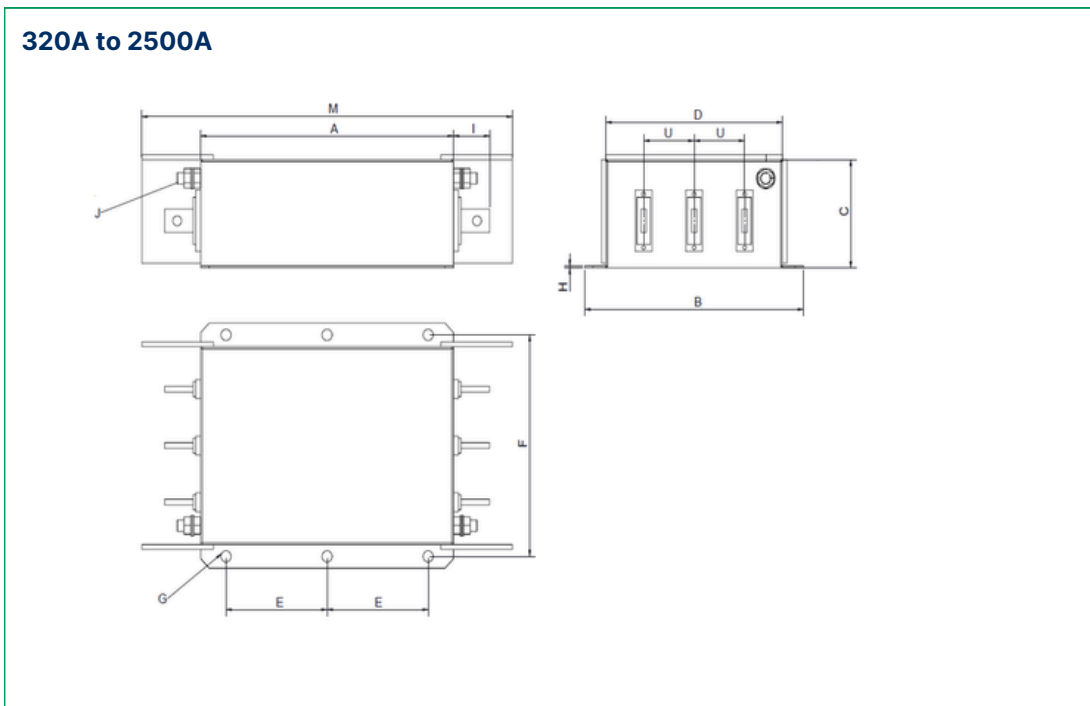


# Mechanical Drawing

## 150A to 250A

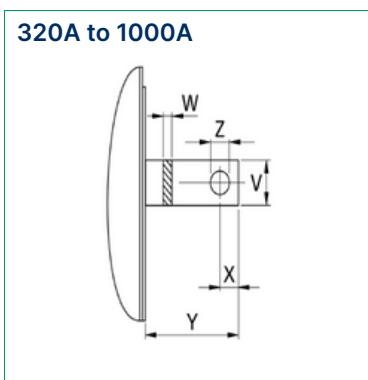


## 320A to 2500A

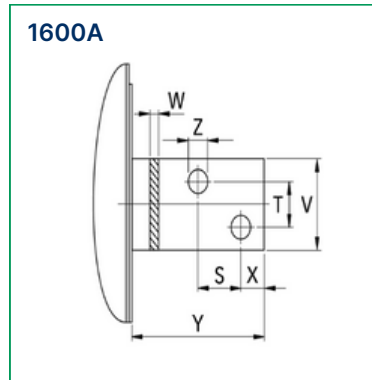


## Busbar Connections

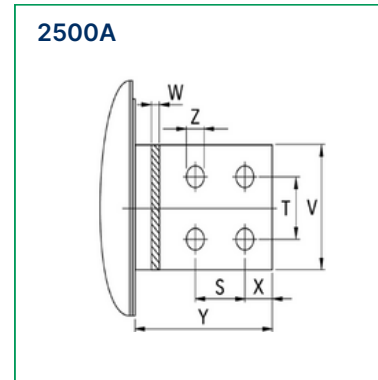
### 320A to 1000A



### 1600A



### 2500A



## Mechanical Daigram

	150A	180A	250A	320A	400A	600A	800A	1000A	1600A	2500A
A	300	300	300	300	300	300	350	350	400	450
B	210	210	230	260	260	260	280	280	300	370
C	120	120	125	115	115	135	170	170	160	220
D	160	160	180	210	210	210	230	230	250	300
E	120	120	120	120	120	120	145	145	170	200
F	185	185	205	235	235	235	255	255	275	330
G	Ø12	Ø12	Ø12	Ø12	Ø12	Ø12	Ø12	Ø12	Ø12	Ø14
I	33	33	33	43	43	43	53	53	93	110
J	M10	M10	M10	M12	M12	M12	M12	M12	M12	M12
M	420	420	420	440	440	440	510	510	-	-
U	50	50	55	60	60	60	60	60	60	100
V	-	-	-	25	25	25	40	40	60	80
W	-	-	-	6	6	8	8	8	10	15
X	-	-	-	15	15	15	20	20	17	20
Y	-	-	-	40	40	40	50	50	93	110
Z	-	-	-	Ø10.5	Ø10.5	Ø10.5	Ø14	Ø14	Ø14	Ø14

All dimensions in mm ; Tolerance according to ISO 2768-C