


Features:

- Rated Current up to 60A
- Filters offer an optimized filter range for high performance AC & DC applications.
- Standard attenuation performance
- Medical Version
- Designed for easy and fast chassis mounting

Applications:

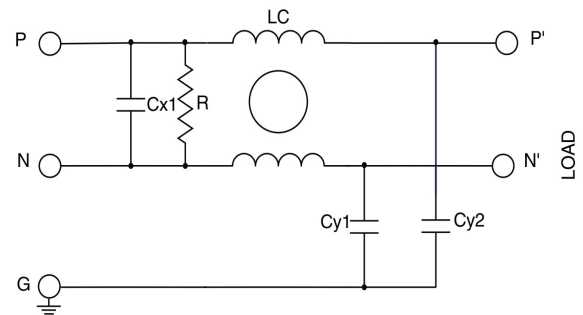
- Power Systems
- Consumer goods
- Electronic Equipment
- Medical equipment
- Frequency convertors
- Electronic data processing equipment
- UPS/Inverters

DATA SHEET
SINGLE PHASE EMI FILTER - SMF2131
Description



These series of filters designed for motor and power drive systems which can provide superior attenuation performance and suppress conducted noise even when high interference level are present.



Technical Specifications:

Maximum continuous operating voltage	:	250 VAC,50/60Hz (UL Approval), 250 VDC
Operating Frequency	:	DC to 400Hz
Current ratings	:	1A to 60A @40°C
High Potential test voltage	:	P to N 1414 VDC for 2 Sec P to G 2250VDC for 2 Sec P to G 1500VAC for 2 Sec (M Types)
Overload Capability	:	4 x rated current at switch on 1.5x rated current for 1 minute, once per hour
Design Corresponding to	:	UL 60939-3, CSA 22.2 No.8-13 and IEC 60939-1&2
Flammability corresponding to	:	UL 94 V-0
Temperature range	:	-25°C to +100°C
Climatic Category	:	25/100/21
Protection category	:	IP20

Typical Circuit Diagram:


Ordering information:

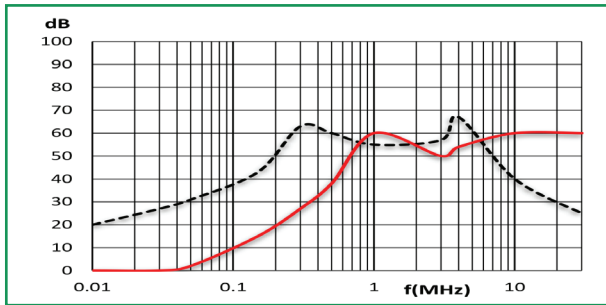
STANDARD VERSION							
Model Number	Part Number	Current Rating @ 40°C (A)	Leakage current @ 250 VAC/50 Hz (mA)	Power loss @25°C / 50Hz (W)	Termination		Weight Approx.(g)
							
SMF2131-1-4	E110728-1	1	0.37	0.8	-4	-	70
SMF2131-3-4	E110729-1	3	0.37	1.1	-4	-	70
SMF2131-6-4	E110730-1	6	0.37	1.7	-4	-	70
SMF2131-10-4	E110731-1	10	0.37	2.5	-4	-	90
SMF2131-12-4	E110732-1	12	0.37	3.6	-4	-	90
SMF2131-16-4	E110733-1	16	0.37	2.5	-4	-	150
SMF2131-20-4	E110734-1	20	0.37	3.8	-4	-	220
SMF2131-30-1	E110735-1	30	0.8	6.3	-	-1 (M4)	480
SMF2131-60-1	E110736-1	60	0.8	14.7	-	-1 (M6)	1200

MEDICAL VERSION							
Model Number	Part Number	Current Rating @ 40°C (A)	Leakage current @ 250 VAC/50 Hz (mA)	Power loss @25°C / 50Hz (W)	Termination		Weight Approx.(g)
							
SMF2131M-1-4	E110804-1	1	0	0.8	-4	-	70
SMF2131M-3-4	E110805-1	3	0	1.1	-4	-	70
SMF2131M-6-4	E110806-1	6	0	1.7	-4	-	70
SMF2131M-10-4	E110807-1	10	0	2.5	-4	-	90
SMF2131M-12-4	E110808-1	12	0	3.6	-4	-	90
SMF2131M-16-4	E110809-1	16	0	2.5	-4	-	150
SMF2131M-20-4	E110810-1	20	0	3.8	-4	-	220
SMF2131M-30-1	E110811-1	30	0	6.3	-	-1 (M4)	480
SMF2131M-60-1	E110812-1	60	0	14.7	-	-1 (M6)	1200

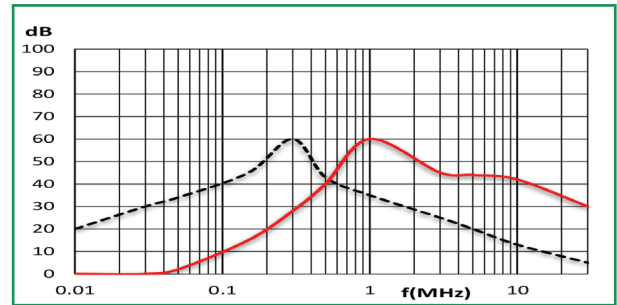
Insertion Loss : Common mode _____ Differential Mode

Per CISPR 17; C=50 Ω/50 Ω D=50 Ω/50 Ω

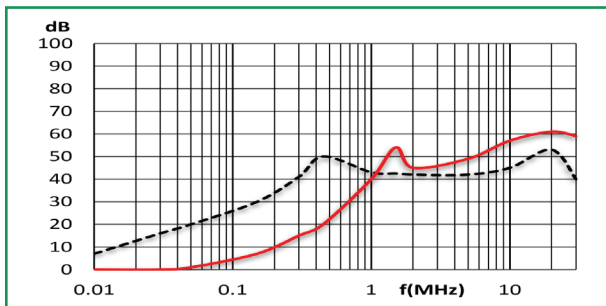
1A Standard Version



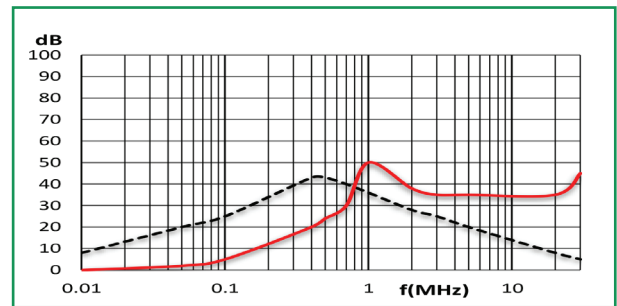
Medical Version



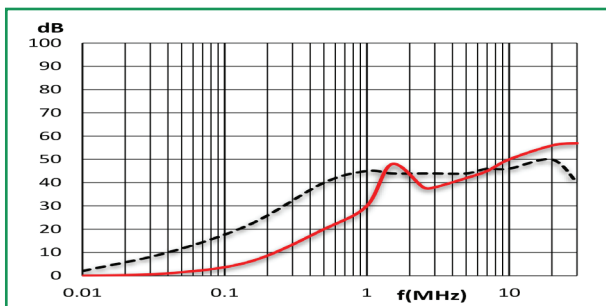
2A Standard Version



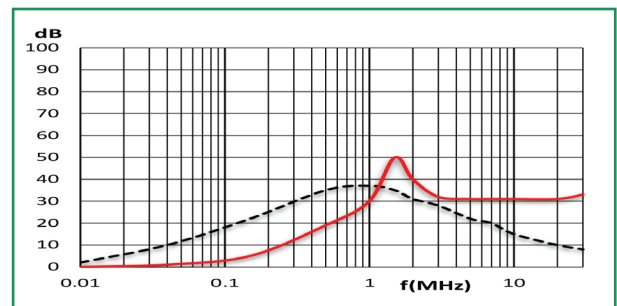
Medical Version



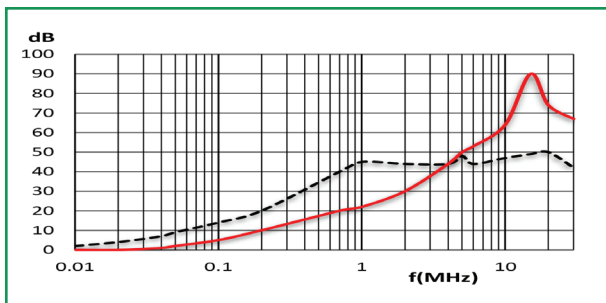
3A Standard Version



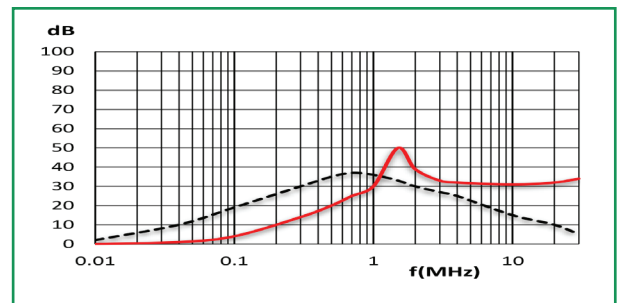
Medical Version



6A Standard Version

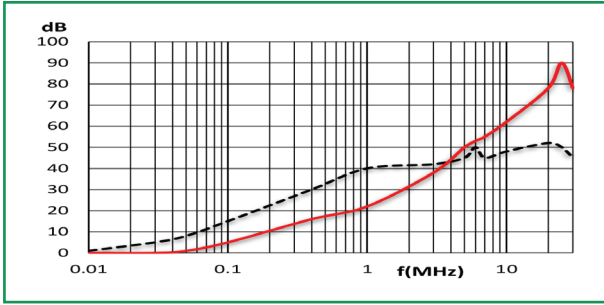


Medical Version

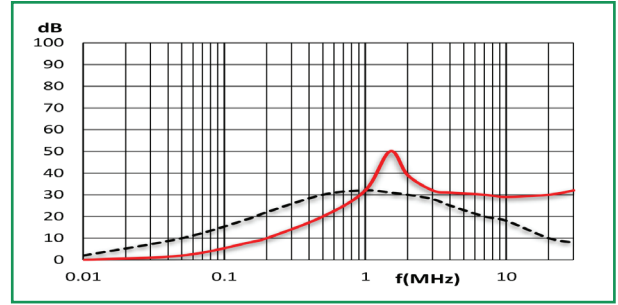


10A

Standard Version

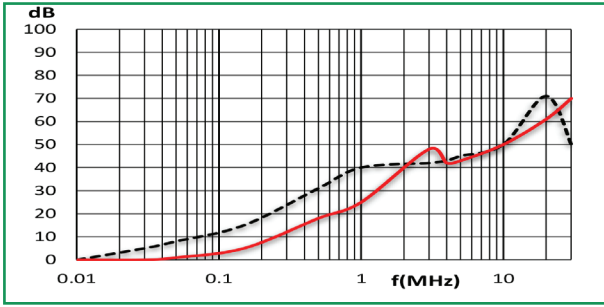


Medical Version

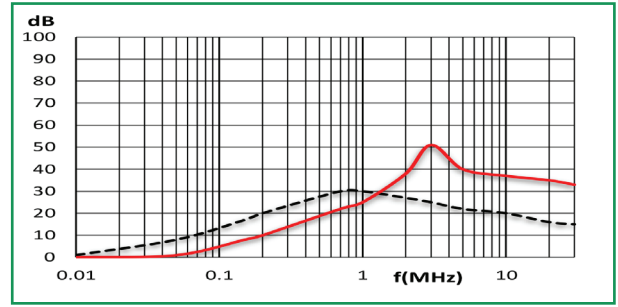


12A

Standard Version

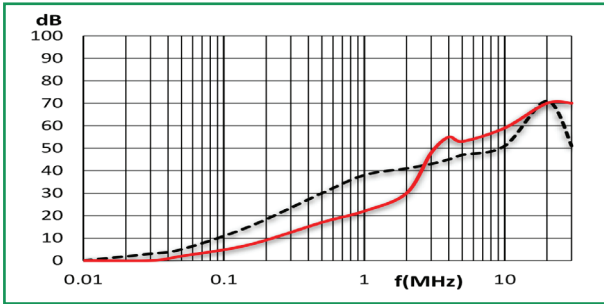


Medical Version

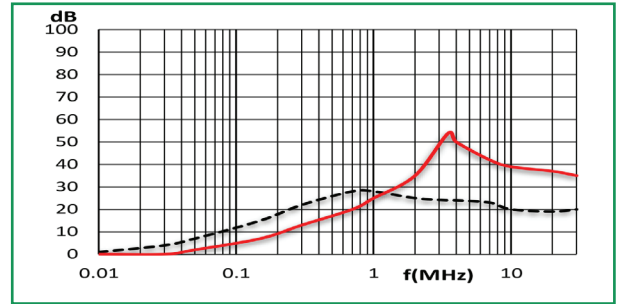


16A

Standard Version

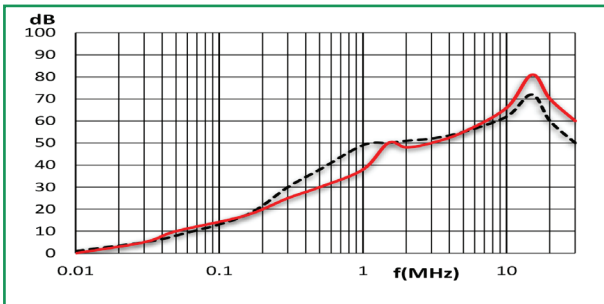


Medical Version

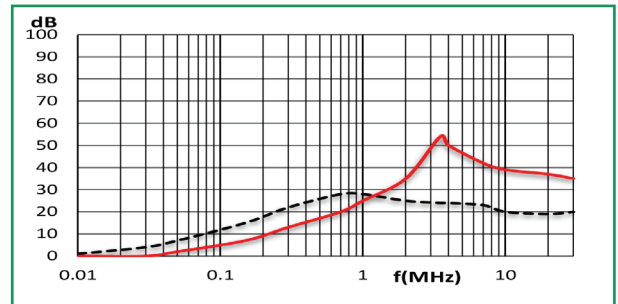


20A

Standard Version

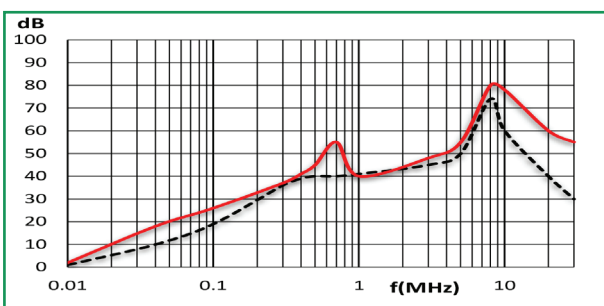


Medical Version

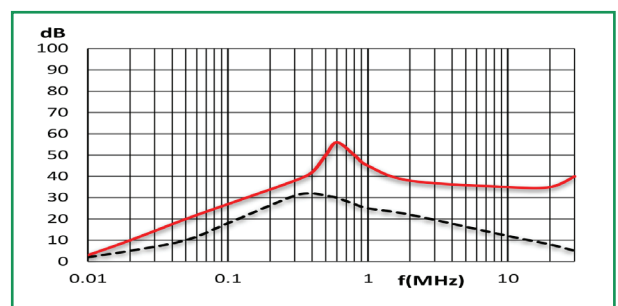


30A

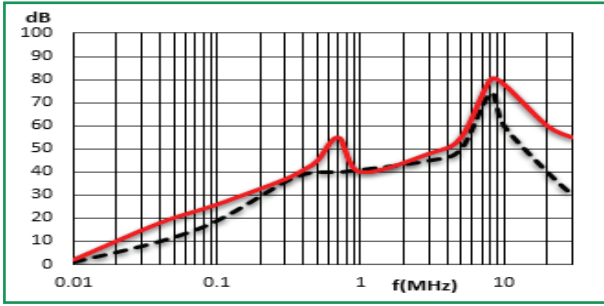
Standard Version



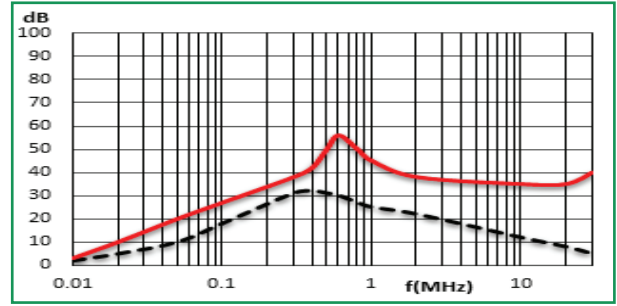
Medical Version



60A Standard Version

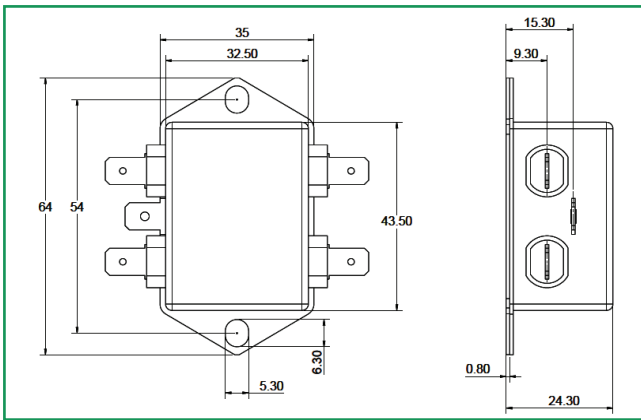


Medical Version

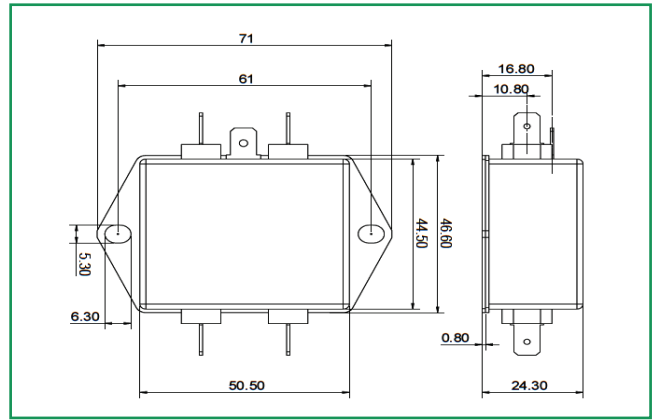


Mechanical Drawing:

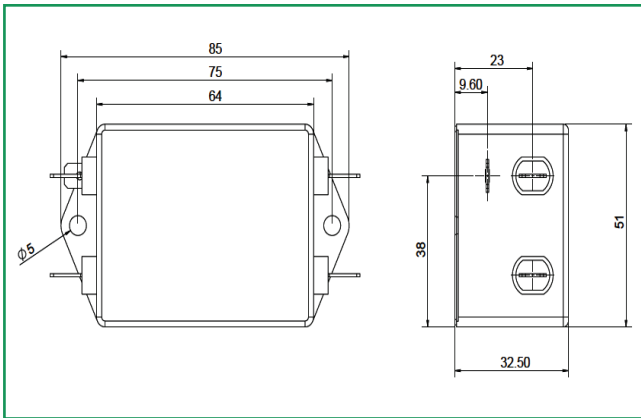
Connection style -04, 1 to 12A types



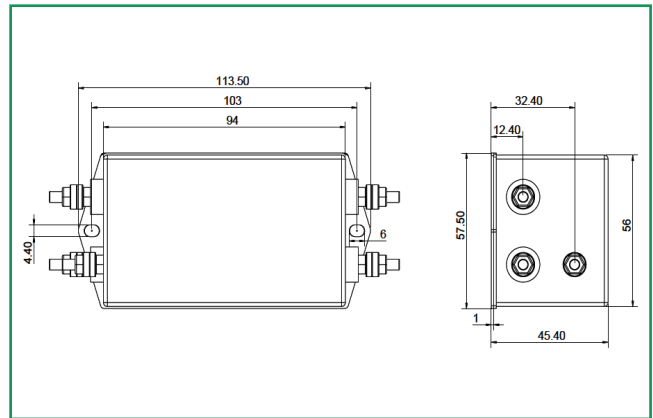
Connection style -04, 16 A types



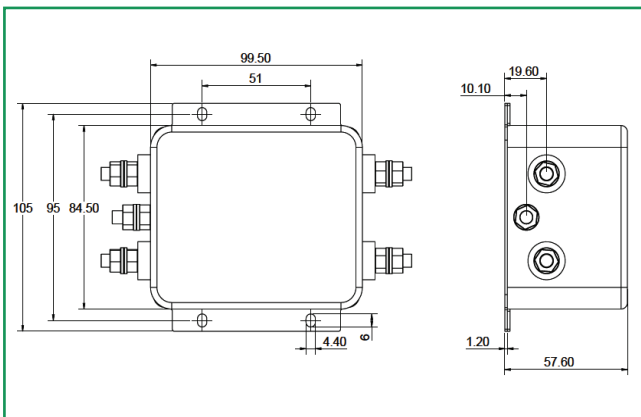
Connection style -04, 20 A types



Connection style -01, 30 A types



Connection style -01, 60 A types



All dimensions in mm; Tolerance according: ISO 2768-c