


Features:

- General purpose
- High Current rating
- Bus bar terminals
- Available with protective cover

Typical applications:

- CNC Machines
- AC/DC Drives
- Convertors

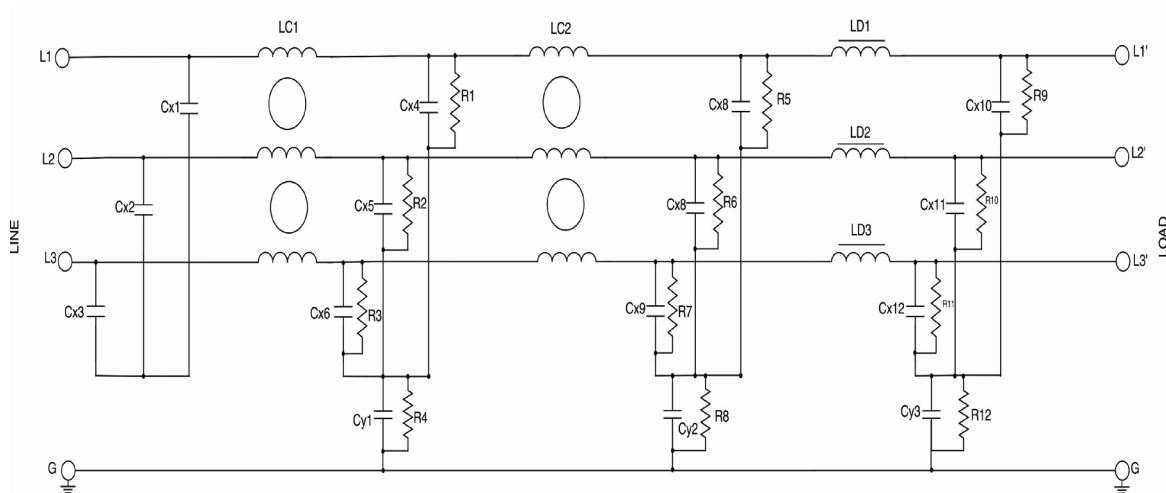
DATA SHEET
THREE PHASE EMI FILTER-TMF3333
Description

These series of filters designed for motor and power drive systems which can provide superior attenuation performance and suppress conducted noise even when high interference level are present.

Technical Specifications:

Maximum continuous operating voltage	:	520VAC(TMF3333) 760VAC(TMF3333HV)
Operating Frequency	:	50/60 Hz
Rated Currents	:	150A to 2500 A @ 50°C
High Potential test voltage	:	L -> G 2856 VDC for 2 sec(TMF3333) L -> L 2236 VDC for 2 sec (TMF3333) L -> G 3528 VDC for 2 sec (TMF3333HV) L -> L 3268 VDC for 2 sec (TMF3333HV)
Overload Capability	:	4x rated current at switch on, 135% of rated current for 15Mins
Flammability corresponding to	:	UL 94 V-0 or better
Temperature range	:	-25°C to +100°C
Design corresponding to	:	25/100/21
Design corresponding to	:	UL 60939-3 & IEC 60939-1&2
Protection category	:	IP 00

Typical Circuit Diagram:



Filter Selection Table:

Standard Performance							
Model Number	Part Number	Current Rating @ 50°C (A)	Leakage current @ 520 VAC/ 50 Hz (mA)	Power loss @25°C / 50Hz (W)	Termination		Weight Approx. (Kg)
TMF3333-150-1	E108329-1	150	5.5	25	-1	-	6
TMF3333-180-1	E108330-1	180	5.5	35	-1	-	6
TMF3333-250-1	E108331-1	250	5.5	50	-1	-	10
TMF3333-320-3	E108332-1	320	5.5	20	-	-3	11
TMF3333-400-3	E108333-1	400	5.5	30	-	-3	11
TMF3333-600-3	E108334-1	600	5.5	45	-	-3	13
TMF3333-800-3	E108335-1	800	6	40	-	-3	20
TMF3333-1000-3	E108336-1	1000	6	60	-	-3	20
TMF3333-1600-3	E108337-1	1600	5.5	135	-	-3	30
TMF3333-2500-3	E108338-1	2500	5.5	300	-	-3	70

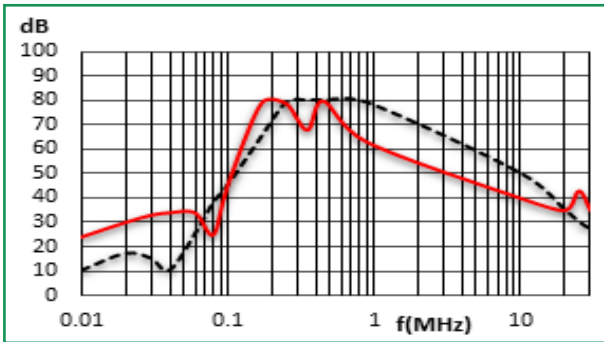
High voltage versions							
Model Number	Part Number	Current Rating @ 50°C (A)	Leakage current @ 520 VAC/ 50 Hz (mA)	Power loss @25°C / 50Hz (W)	Termination		Weight Approx. (Kg)
TMF3333HV-150-1	E108339-1	150	7.5	25	-1	-	6
TMF3333HV-180-1	E108340-1	180	7.5	35	-1	-	6
TMF3333HV-250-1	E108341-1	250	7.5	50	-1	-	10
TMF3333HV-320-3	E108342-1	320	7.5	20	-	-3	11
TMF3333HV-400-3	E108343-1	400	7.5	30	-	-3	11
TMF3333HV-600-3	E108344-1	600	7.5	45	-	-3	13
TMF3333HV-800-3	E108345-1	800	7.5	40	-	-3	20
TMF3333HV-1000-3	E108346-1	1000	7.5	60	-	-3	20
TMF3333HV-1600-3	E108347-1	1600	7.5	135	-	-3	30
TMF3333HV-2500-3	E108348-1	2500	8	300	-	-3	70

Note : Standardized calculated leakage current according to the IEC60939 under normal operating conditions.

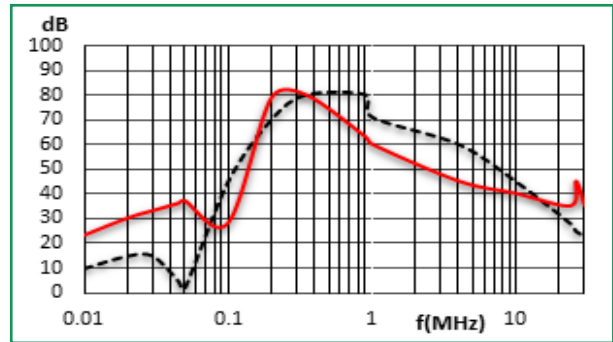
Insertion Loss : Common mode _____ Differential Mode

Per CISPR 17; C=50 Ω/50 Ω D=50 Ω/50 Ω

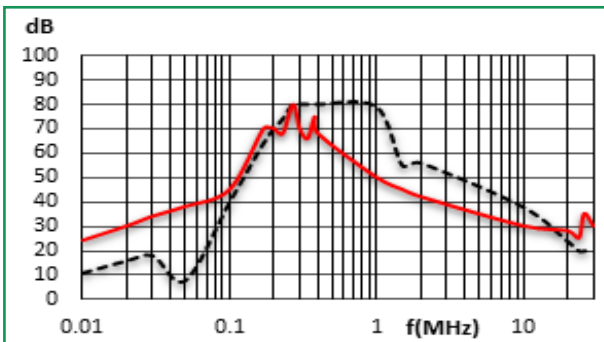
150A to 180A Types



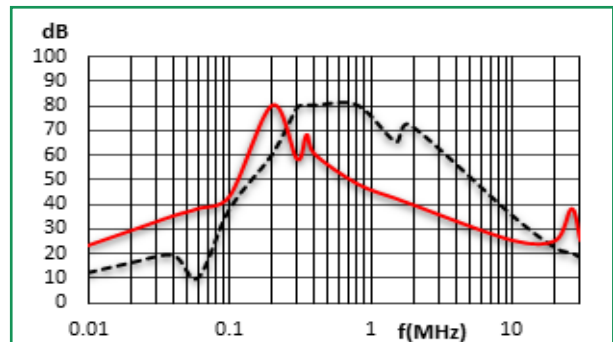
250A to 600A Types



800A to 1000A Type

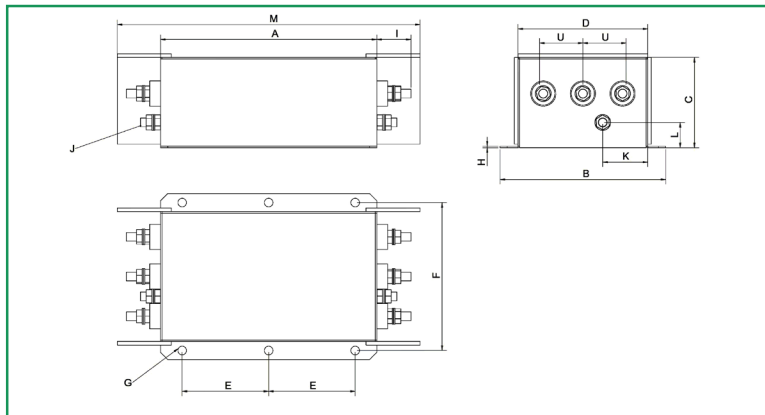


1600A to 2500A Types

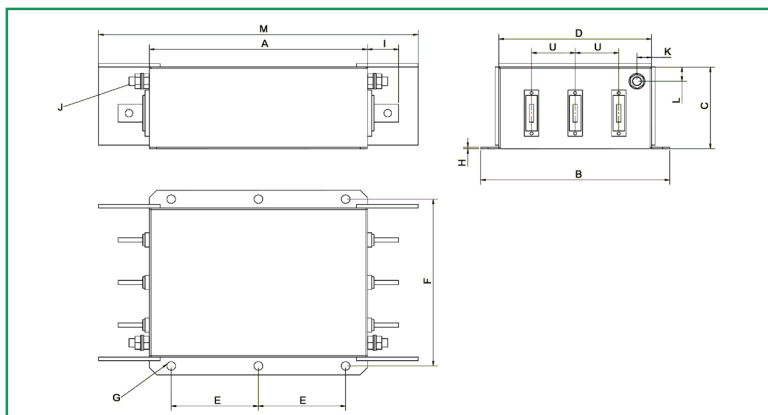


Mechanical Drawing:

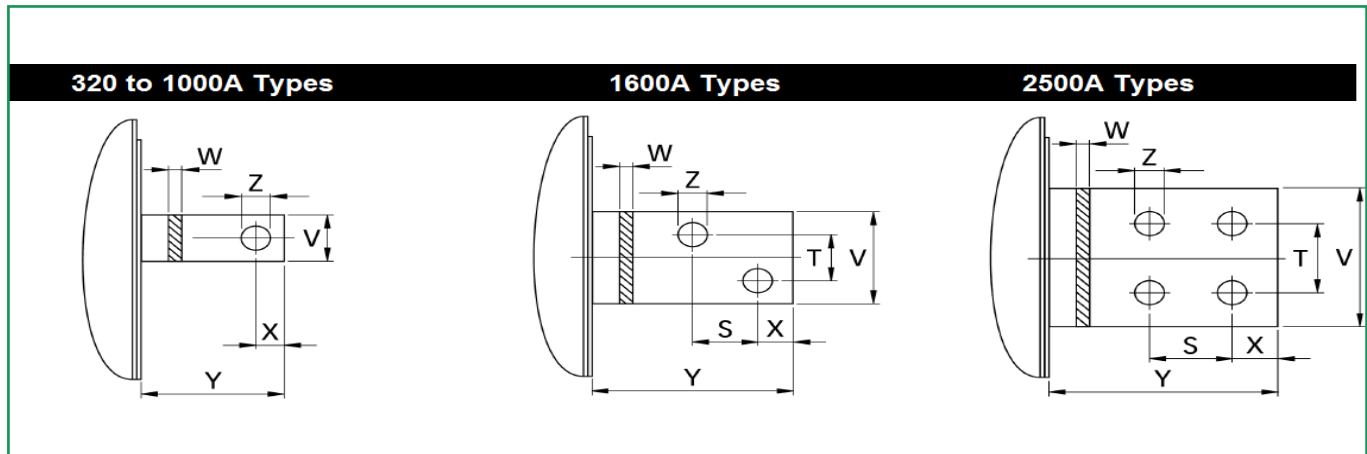
150A to 250A Types



320A to 2500A Types



320A-600A Types



Mechanical dimensions:

	150A	180A	250A	320A	400A	600A	800A	1000A	1600A	2500A
A	300	300	300	300	300	300	350	350	400	450
B	210	210	230	260	260	260	280	280	300	370
C	120	120	125	115	115	135	170	170	160	220
D	160	160	180	210	210	210	230	230	250	300
E	120	120	120	120	120	120	145	145	170	200
F	185	185	205	235	235	235	255	255	275	330
G	Ø12	Ø12	Ø12	Ø12	Ø12	Ø12	Ø12	Ø12	Ø12	Ø14
H	2	2	2	2	2	2	3	3	3	3
I	33	33	33	43	43	43	53	53	93	110
J	M10	M10	M10	M12	M12	M12	M12	M12	M12	M12
K	55	55	62.5	20	20	20	25	25	25	25
L	30	30	35	20	20	20	25	25	25	25
M	420	420	420	440	440	440	510	510	-	-
U	50	50	55	60	60	60	60	60	60	100
V	-	-	-	25	25	25	40	40	60	80
W	-	-	-	6	6	8	8	8	10	15
X	-	-	-	15	15	15	20	20	17	20
Y	-	-	-	40	40	40	50	50	93	110
Z	-	-	-	Ø10.5	Ø10.5	Ø10.5	Ø14	Ø14	Ø14	Ø14

All dimensions in mm ; Tolerance according : ISO 2768-C