


Features:

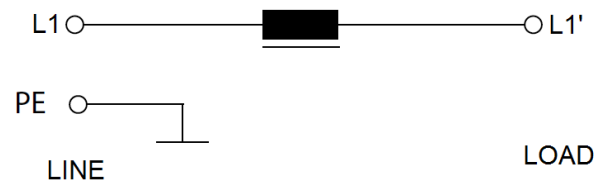
- Reduction of main harmonics
- Impedance at 4%
- Protection of motor drive electronics
- Limitations of inrush Currents
- Prevention from nuisance tripping caused by power line voltage spikes
- Low Ripple

Applications:

- Power Quality Applications
- Motor Drives and Various adjustable speed drive systems
- Harmonics Reduction
- Process Automation Equipment

DATA SHEET
**Single Line AC Reactor
PQR-4 Series**
Description

These series range of Single Line AC reactors serves to filter out spikes of current and reduce injection of harmonic currents and protect Variable Frequency Drives and motors.

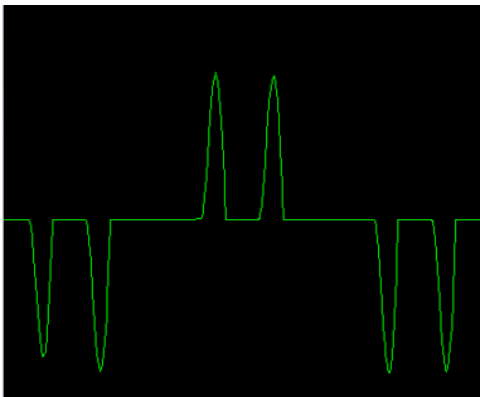
Typical Circuit Diagram

Technical Specifications:

Maximum Continuous Operating Voltage	: 250VAC ± 10%
Operating Frequency	: 50/60Hz
Current ratings	: 2A to 1000A @45°C
Impedance	: 4% at 230VAC,50Hz at rated current
High Potential test voltage	: 2000 VAC for 2 sec
Overload Capability	: 1.6 times of rated current for 1 Min/hr
Design Corresponding to	: EN 61558-2-20,EN 60076-6,UL508
Temperature range	: -45°C to +100°C
Climatic Category	: 45/100/21
Type of Cooling	: Natural Cooling AN
Protection Category	: IP 00
Insulation Class	: Class N (PURESINE-200 (N)_E531262)
Voltage Drop	: 9.2V (±20%)

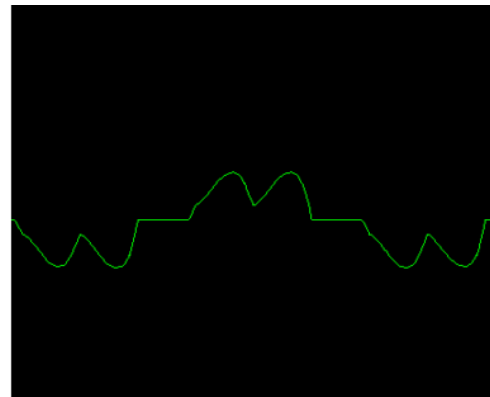
Ordering Information :

Model Number	Part Number	Rated Current (A)	Rated Power @250 (KW)	Rated Power (HP)	Inductance (mH)	Termination	Weight (Kgs)
PQR-41250-2-C3	E104271-1	2	0.45	0.60	14.64	Connector	0.8
PQR-41250-4-C3	E104272-1	4	0.90	1.21	7.32	Connector	0.9
PQR-41250-6-C3	E104275-1	6	1.35	1.81	4.80	Connector	1
PQR-41250-8-C3	E104276-1	8	1.80	2.41	3.66	Connector	1.2
PQR-41250-10-C3	E104288-1	10	2.25	3.02	2.92	Connector	1.7
PQR-41250-16-C3	E104293-1	16	3.60	4.83	1.83	Connector	1.7
PQR-41250-20-C3	E104296-1	20	4.50	6.03	1.46	Connector	2.2
PQR-41250-25-C3	E104297-1	25	5.63	7.54	1.17	Connector	2.8
PQR-41250-30-C3	E104299-1	30	6.75	9.05	0.97	Connector	2.8
PQR-41250-35-L3	E104307-1	35	7.88	10.56	0.83	Cable Lugs	4
PQR-41250-40-L3	E104318-1	40	9.00	12.07	0.73	Cable Lugs	4.8
PQR-41250-45-L3	E104320-1	45	10.13	13.58	0.65	Cable Lugs	4.8
PQR-41250-50-L3	E104327-1	50	11.25	15.09	0.58	Cable Lugs	5
PQR-41250-63-L3	E104328-1	63	14.18	19.01	0.48	Cable Lugs	5.2
PQR-41250-75-L3	E104329-1	75	16.88	22.63	0.39	Cable Lugs	7.3
PQR-41250-100-L3	E104331-1	100	22.50	30.17	0.29	Cable Lugs	7.5
PQR-41250-125-B3	E104332-1	125	28.13	37.72	0.23	Busbar	11
PQR-41250-150-B3	E104339-1	150	33.75	45.26	0.19	Busbar	12
PQR-41250-200-B3	E104340-1	200	45.00	60.35	0.14	Busbar	23
PQR-41250-300-B3	E104344-1	300	67.50	90.52	0.09	Busbar	23
PQR-41250-500-B3	E104348-1	500	112.50	150.86	0.05	Busbar	32
PQR-41250-800-B3	E104353-1	800	180.00	241.38	0.03	Busbar	40
PQR-41250-1000-B3	E104354-1	1000	225.00	301.73	0.02	Busbar	40

Advantages of having Line Reactor

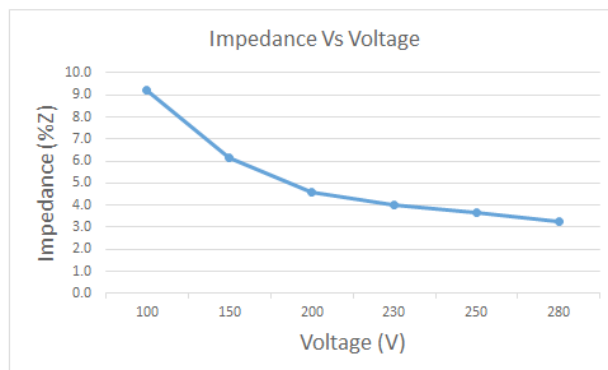


Without Line Reactor

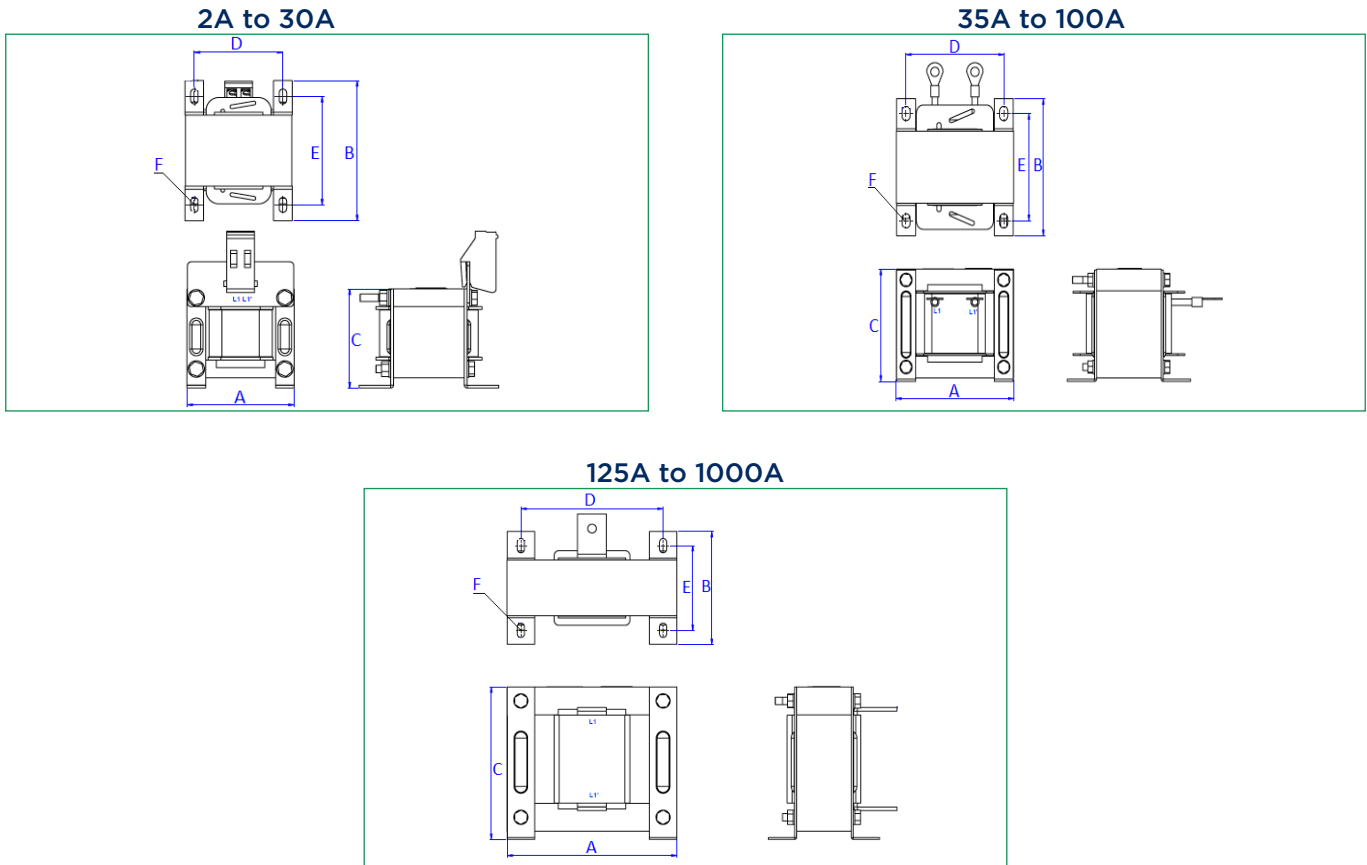


With Line Reactor

Impedance versus Voltage Plot



Mechanical Drawing:



Mechanical dimensions:

Model Number	Part Number	A	B	C	D	E	F
PQR-41250-2-C3	E104271-1	57.60	75	53	47.60	58	8 x 4
PQR-41250-4-C3	E104272-1	57.60	75	53	47.60	58	8 x 4
PQR-41250-6-C3	E104275-1	76	72.50	67.50	63.50	57	10 x 6
PQR-41250-8-C3	E104276-1	76	72.50	67.50	63.50	57	10 x 6
PQR-41250-10-C3	E104288-1	76	93	67.50	63.50	78	10 x 6
PQR-41250-16-C3	E104293-1	76	93	67.50	63.50	78	10 x 6
PQR-41250-20-C3	E104296-1	96	83	82.50	80	61.50	11.8 x 6
PQR-41250-25-C3	E104297-1	96	96	82.50	80	80	11.8 x 6
PQR-41250-30-C3	E104299-1	96	96	82.50	80	80	11.8 x 6
PQR-41250-35-L3	E104307-1	114.30	107	98.40	95.20	80.10	12.5 x 7.9
PQR-41250-40-L3	E104318-1	114.30	120	98.40	95.20	94	12.5 x 7.9
PQR-41250-45-L3	E104320-1	114.30	120	98.40	95.20	94	12.5 x 7.9
PQR-41250-50-L3	E104327-1	114.30	120	98.40	95.20	94	12.5 x 7.9
PQR-41250-63-L3	E104328-1	114.30	120	98.40	95.20	94	12.5 x 7.9
PQR-41250-75-L3	E104329-1	152.40	114	132	127	83.50	15.5 x 8
PQR-41250-100-L3	E104331-1	152.40	114	132	127	83.50	15.5 x 8
PQR-41250-125-B3	E104332-1	152.40	140	132	127	115.50	15.5 x 8
PQR-41250-150-B3	E104339-1	180	129	156.30	150	95	20 x 10
PQR-41250-200-B3	E104340-1	235	154	208	197	115.50	19.5 x 10
PQR-41250-300-B3	E104344-1	235	154	208	197	115.50	19.5 x 10
PQR-41250-500-B3	E104348-1	235	179.50	208	197	142	19.5 x 10
PQR-41250-800-B3	E104353-1	235	205	208	197	167.50	19.5 x 10
PQR-41250-1000-B3	E104354-1	235	205	208	197	167.50	19.5 x 10

Note: All dimensions are in mm. Tolerance: ±5mm (Tolerance is applicable for A,B,C,D,E Only).