



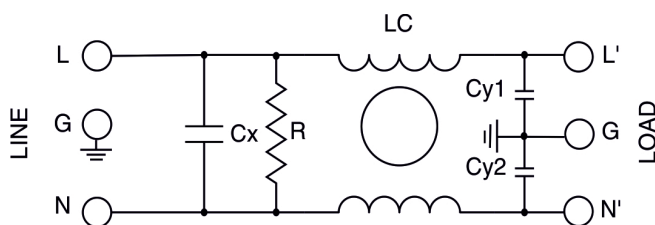
DATA SHEET

SINGLE PHASE EMI FILTER - MF 530

Description

Cost saving plastic housing designed for standard applications. Protection against interference voltage from the mains interferences generated in the equipment are strongly attenuated

Typical circuit Diagram



Technical Specifications:

Maximum Continuous Operating Voltage : 250VAC, 50/60Hz(UL Approval)
250VDC

Operating Frequency : DC to 400Hz

Current ratings : 1A to 10A @40°C

High Potential test voltage : L to G 2250Vdc for 1 Minute
L to L 1450Vdc for 1 Minute

Overload Capability : 135% of Rated current for 15 minutes

Design Corresponding to : UL 60939-3, CSA 22.2 No.8-13 and IEC 60939 -1&2

Flammability corresponding to : UL 94 V-0

Temperature range : -25°C to +85°C

Features:

- PCB Mountable Filters
- Rated currents up to 10A
- Medical versions available
- High conducted attenuation performance
- Plastic housing for standard applications
- Protection against interference voltage
- Cost Effective

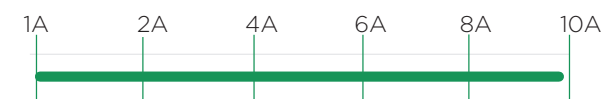
Applications:

- SMPS
- Monitor
- PLC
- Weighing scales
- Electronic instrument
- PC periphery
- Microwave Equipment
- Office Automation Equipment

Performance Indicator

Standard	High	Very High
█		

Rated current [A]



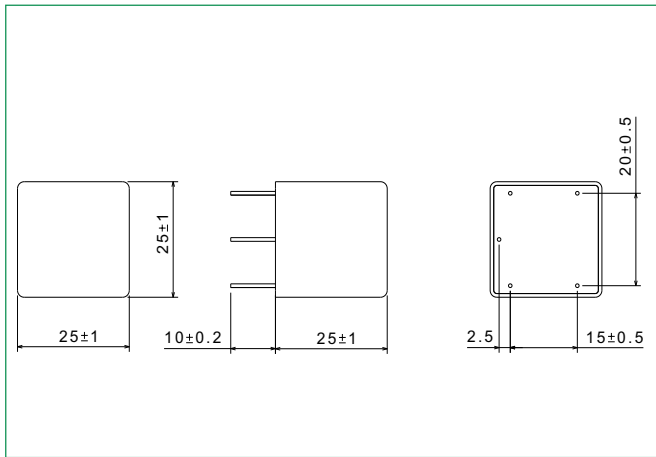
Ordering Information

Model Number	Part Number	Rated Current @40°C	Leakage Current(mA) @250VAC,50Hz	Termination	Weight (Grams)
MF 530A	E100056-2	1A	0.34	0.8mm Lead	50
MF 530A	E100056-3	2A	0.34	0.8mm Lead	50
MF 530A	E100056-4	3A	0.34	0.8mm Lead	50
MF 530A	E100056-5	6A	0.34	0.8mm Lead	50
MF 530A	E100056-26	10A*	0.34	1mm Lead	50
MF 530B	E100056-6	1A*	0.34	0.8mm Lead	60
MF 530B	E100056-7	2A*	0.34	0.8mm Lead	60
MF 530B	E100056-8	3A*	0.34	0.8mm Lead	60
MF 530B	E100056-9	6A*	0.34	0.8mm Lead	60
MF 530B	E100056-27	10A*	0.34	1mm Lead	60
MF 530C	E100056-10	1A*	0.34	0.8mm Lead	60
MF 530C	E100056-11	2A*	0.34	0.8mm Lead	60
MF 530C	E100056-12	3A*	0.34	0.8mm Lead	60
MF 530C	E100056-13	6A*	0.34	0.8mm Lead	60
MF 530C	E100056-28	10A*	0.34	1mm Lead	60
MF 530D	E100056-14	1A*	0.34	0.8mm Lead	80
MF 530D	E100056-15	2A*	0.34	0.8mm Lead	80
MF 530D	E100056-17	6A*	0.34	0.8mm Lead	80
MF 530D	E100056-16	3A*	0.34	0.8mm Lead	80
MF 530D	E100056-29	10A*	0.34	1mm Lead	80
MF 530E	E100056-18	1A*	0.34	0.8mm Lead	50
MF 530E	E100056-19	2A*	0.34	0.8mm Lead	50
MF 530E	E100056-20	3A*	0.34	0.8mm Lead	50
MF 530E	E100056-21	6A*	0.34	0.8mm Lead	50
MF 530E	E100056-30	10A*	0.34	1mm Lead	50
MF 530L	E100056-22	1A*	0.34	0.8mm Lead	50
MF 530L	E100056-23	2A*	0.34	0.8mm Lead	50
MF 530L	E100056-24	3A*	0.34	0.8mm Lead	50
MF 530L	E100056-25	6A*	0.34	0.8mm Lead	50
MF 530L	E100056-31	10A*	0.34	1mm Lead	50

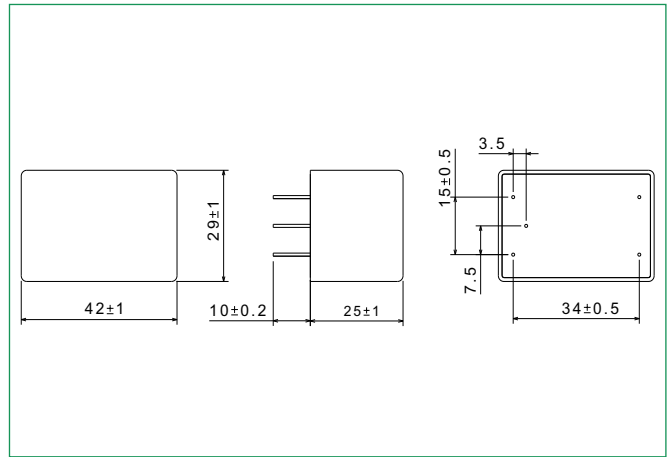
Note: * Not covered under NEMKO

Mechanical Drawing:

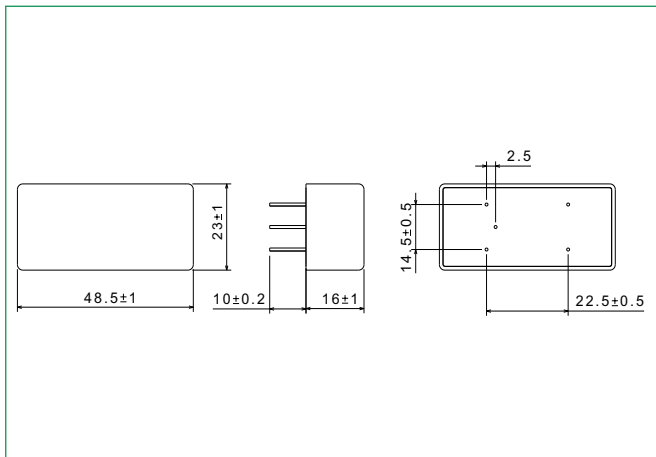
MF 530:A



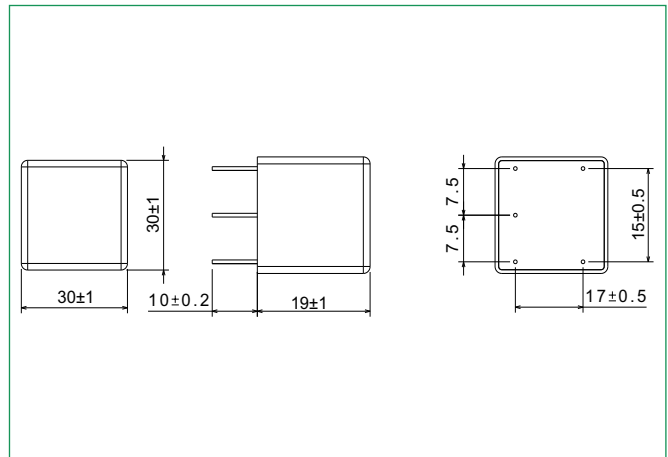
MF 530:B



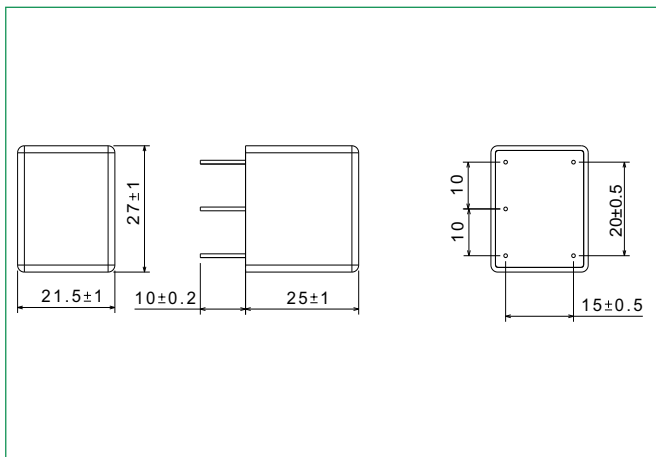
MF 530:C



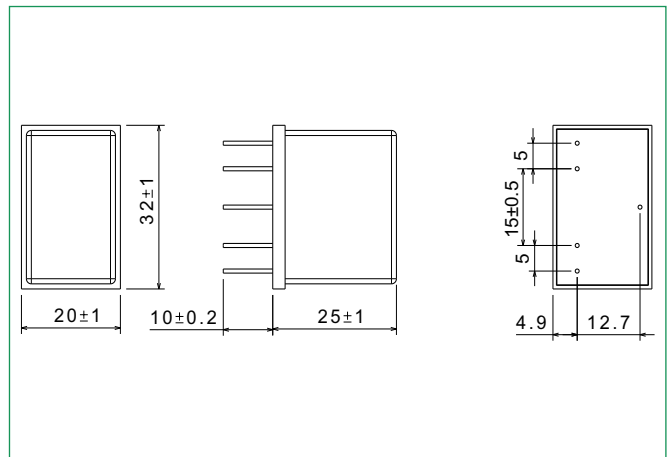
MF 530:D



MF 530:E



MF 530:L

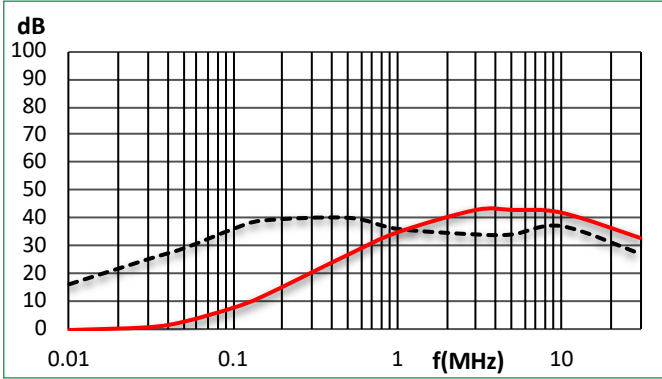


Note: All dimensions in mm; Tolerances according to ISO2768-C

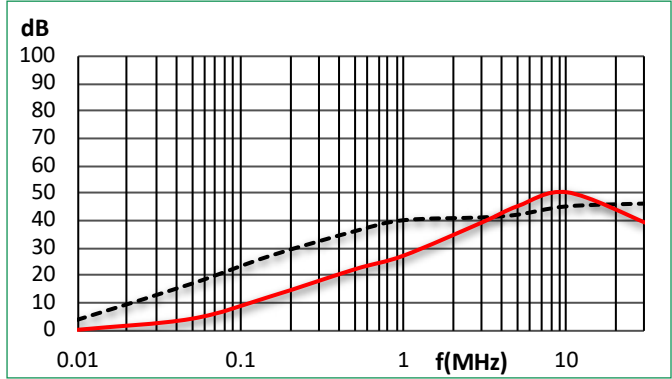
Insertion Loss : Common mode _____ Differential Mode

Per CISPR 17; DM=50/50 sym; CM=50/50 asym

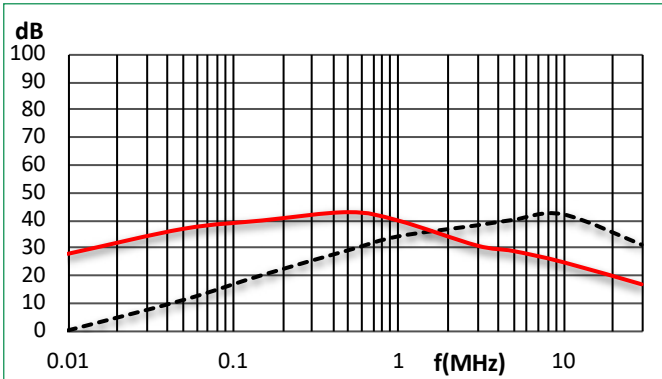
1A



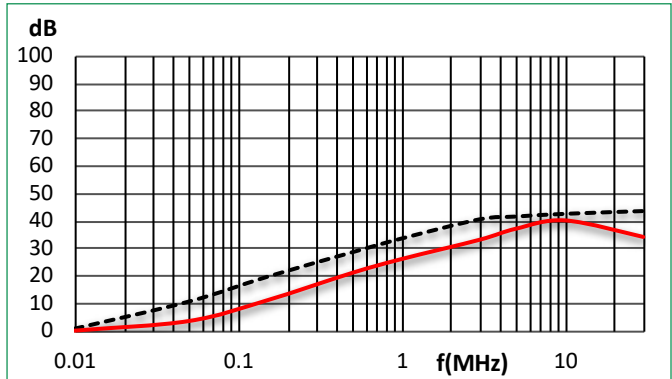
2A



3A



6A



10A

