


**Features:**

- 3 Phase filters for drives/invertors with neutral
- Compact/Light Weight/Cost Effective
- Bookshelf Design
- 7A to 150A rating

**Applications:**

- AC/DC Drives
- CNC Machines
- Robotics
- Regenerative Drives

**DATA SHEET**
**THREE PHASE EMI FILTER -  
BOOK SHELF TYPE WITH  
NEUTRAL - MF423 4 2D BS**
**Description**

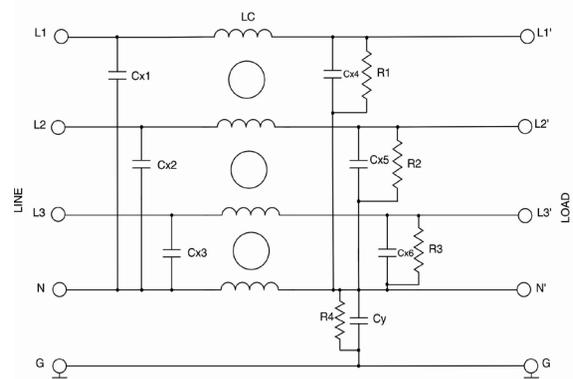
These series range of three phase filters with book shelf design is designed for motor drive applications requiring minimum space and convenient installation with superior performance at significant interference levels.

**Technical Specifications:**

Maximum Continuous Operating Voltage	: 440/520VAC
Operating Frequency	: 50/60 Hz
Current ratings	: 7A to 150A @ 40°C
High Potential test voltage	: L to G 2660Vdc for 1 Minute L to L 1950Vdc for 1 Minute
Overload Capability	: 135% of Rated current for 15 minutes
Design Corresponding to	: UL 60939-3, CSA 22.2 No.8-13 and IEC60939-1&2
Flammability corresponding to	: UL 94 V-0
Temperature range	: -25°C to +85°C
Climatic Category	: 25/85/21

**Performance Indicator**

**Rated current [A]**

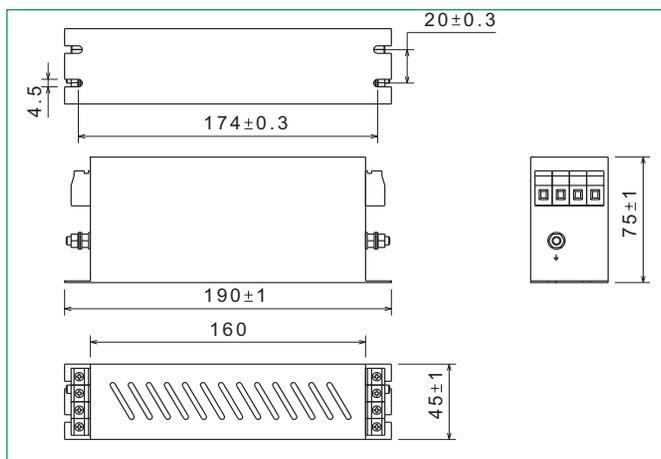
**Typical circuit Diagram**


## Ordering Information

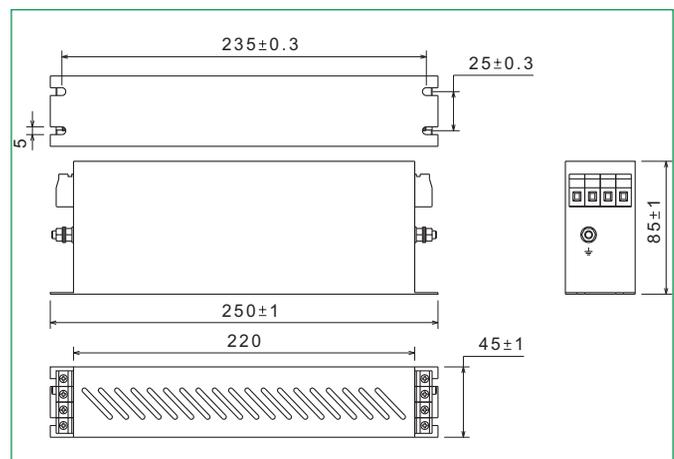
Model Number	Part Number (for 440VAC)	Part Number (for 520VAC)	Rated Current @40°C	Typical Drive power rating (440VAC )	Leakage current (mA)	Termination 	Weight (Kg)
MF 423 4 2D BS	E100121-2	E101895-2	7A	4	5	4	0.8
MF423 4 2D BS	E100121-3	E101895-3	16A	7.5	5	4	0.9
MF423 4 2D BS	E100121-4	E101895-4	30A	15	5	4	1.2
MF423 4 2D BS	E100121-5	E101895-5	42A	22	6	10	1.2
MF423 4 2D BS	E100121-6	E101895-6	55A	30	6	10	1.6
MF423 4 2D BS	E100121-7	E101895-7	75A	37	11	16	2
MF423 4 2D BS	E100121-8	E101895-8	100A	55	11	25	2.2
MF423 4 2D BS	E100121-9	E101895-9	125A	73	11	50	4
MF423 4 2D BS	E100121-10	E101895-10	150A	90	11	50	5

## Mechanical Drawing:

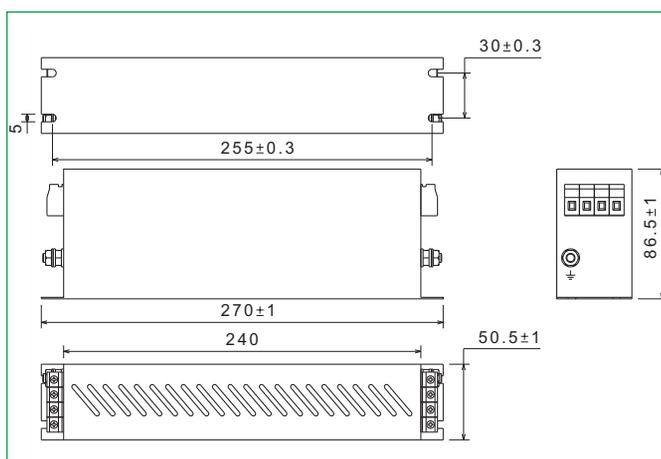
### 7A



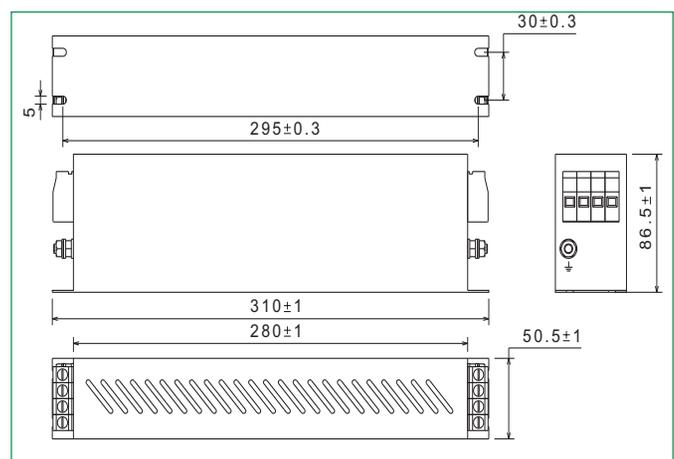
### 16A



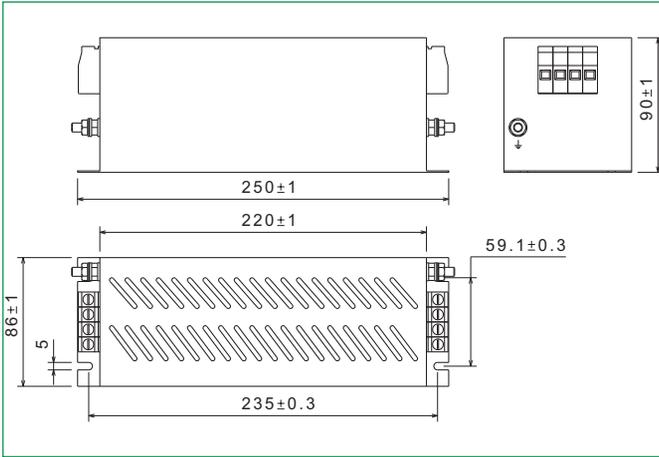
### 30A



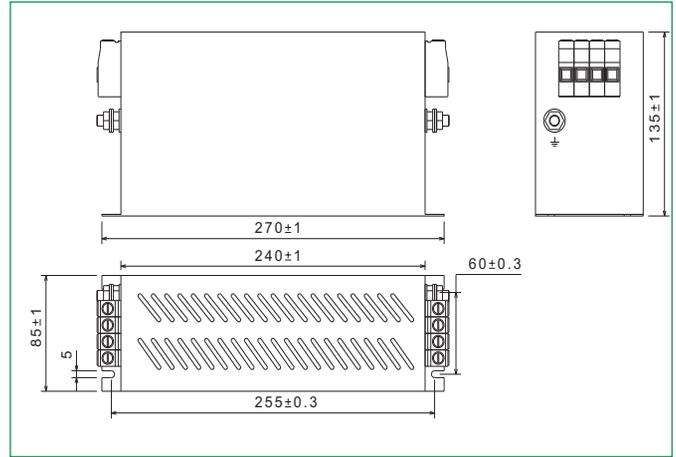
### 42A



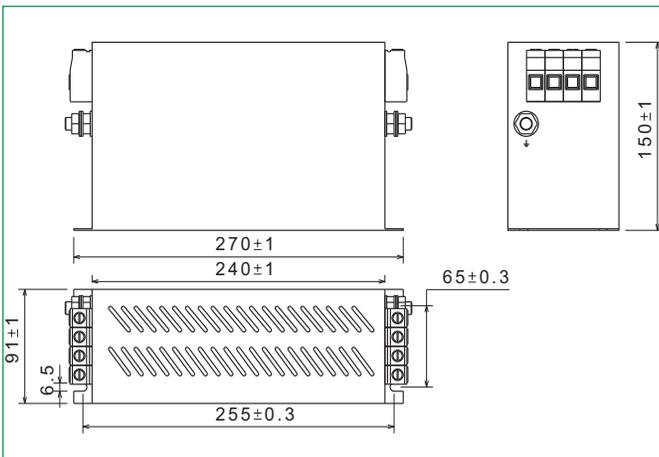
**55A**



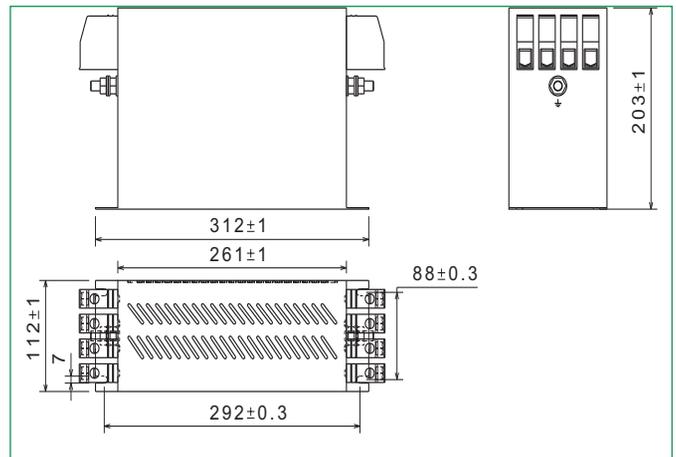
**75A**



**100A**



**125A-150A**



All dimensions in mm; Tolerances according to ISO2768-C

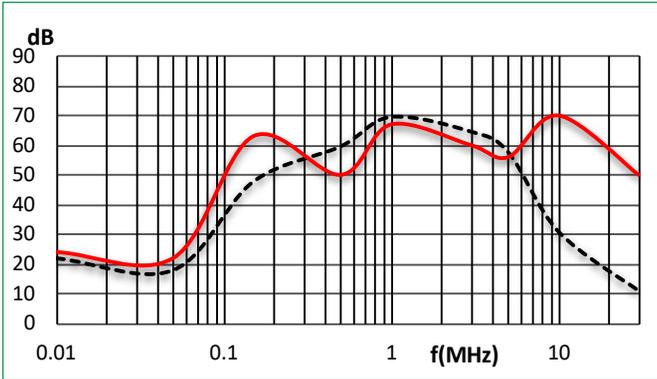
**Connectors Cross Sections**

	4	10	16	25	50
					
Wire Section (mm <sup>2</sup> )	4mm <sup>2</sup>	10mm <sup>2</sup>	16mm <sup>2</sup>	25mm <sup>2</sup>	50mm <sup>2</sup>
Wire Section (AWG)	12AWG	8 AWG	6 AWG	4 AWG	1/0 AWG
Wire Stripping	Max 10mm	Max 13.5mm	Max 17mm	Max 17mm	Max 20 mm
Max Recommended Torque	0.5 Nm / 4.5 in.lbs	1.2 Nm / 10.8 in.lbs	2-2.2 Nm / 18-19.8 in.lbs	2 Nm / 18 in.lbs	6 Nm / 54 in.lbs

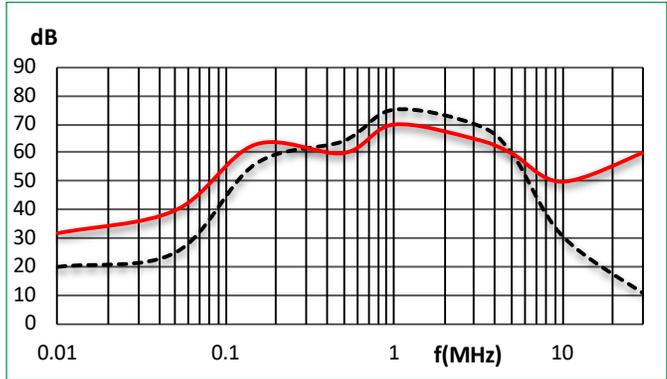
Insertion Loss : ..... Common mode \_\_\_\_\_ Differential Mode

Per CISPR 17; DM=50/50 sym; CM=50/50 asym

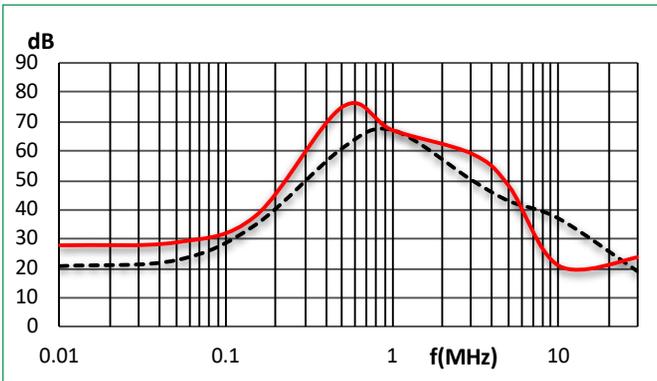
7A



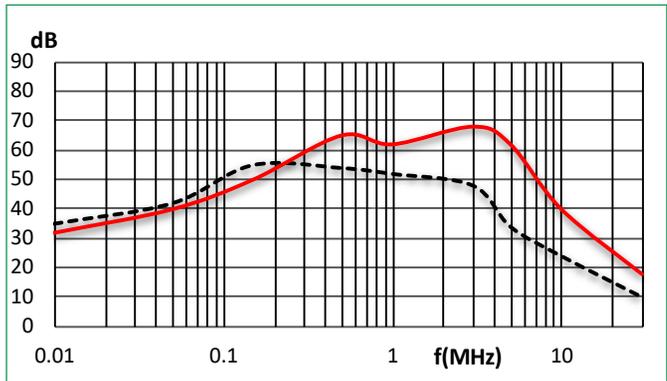
16A



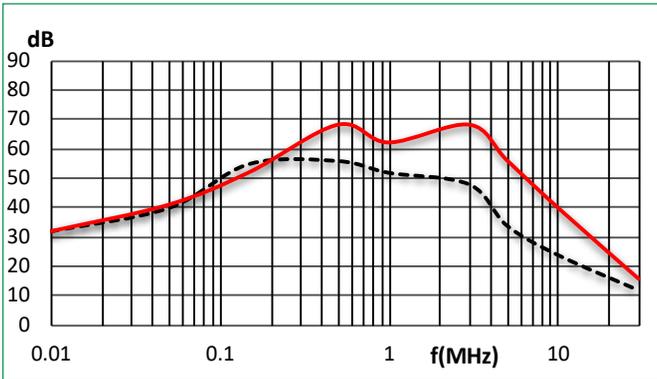
30A



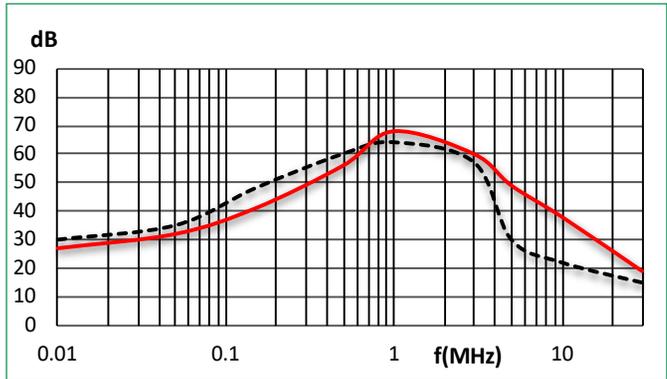
42A



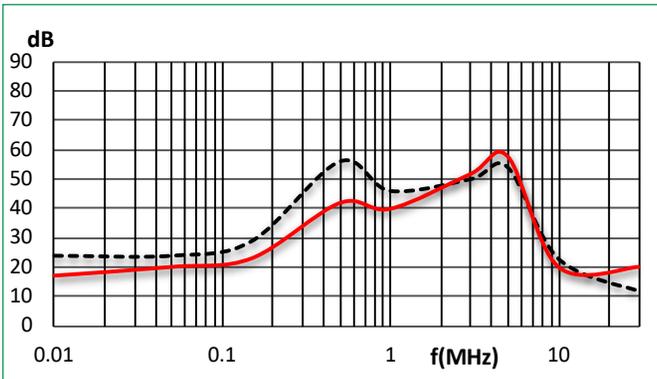
55A



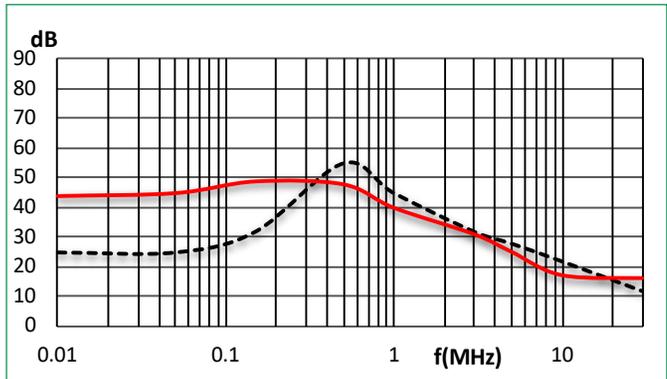
75A



100A



125A



# 150A

