


Features:

- Integral IEC Connector
- Standard performance/size ratio
- Single/Double Fuse Option
- Rated current up to 10A
- Ultra-low leakage current

Applications:

- Medical Application
- Electrical and Electronic Equipments
- Testing and Measurement Equipments

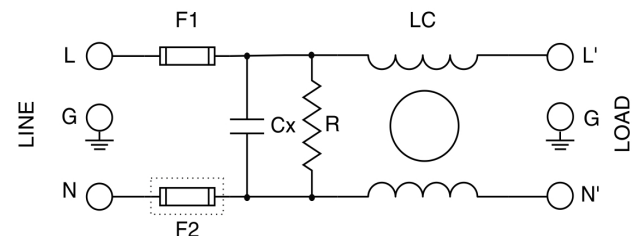
Performance Indicator

Standard	High	Very High
█		

Rated current [A]

DATA SHEET
**SINGLE PHASE EMI FILTER - MF 150
IEC INLET WITH FUSE (MEDICAL VERSION)**
Description

These series range of IEC Inlet type filters with fuse are designed to suppress undesirable electrical disturbances in Power Lines. They limit the amplitude of interfering voltages on AC power lines and prevent them from propagating into or out of the filtered equipment.

Typical circuit Diagram

Technical Specifications:

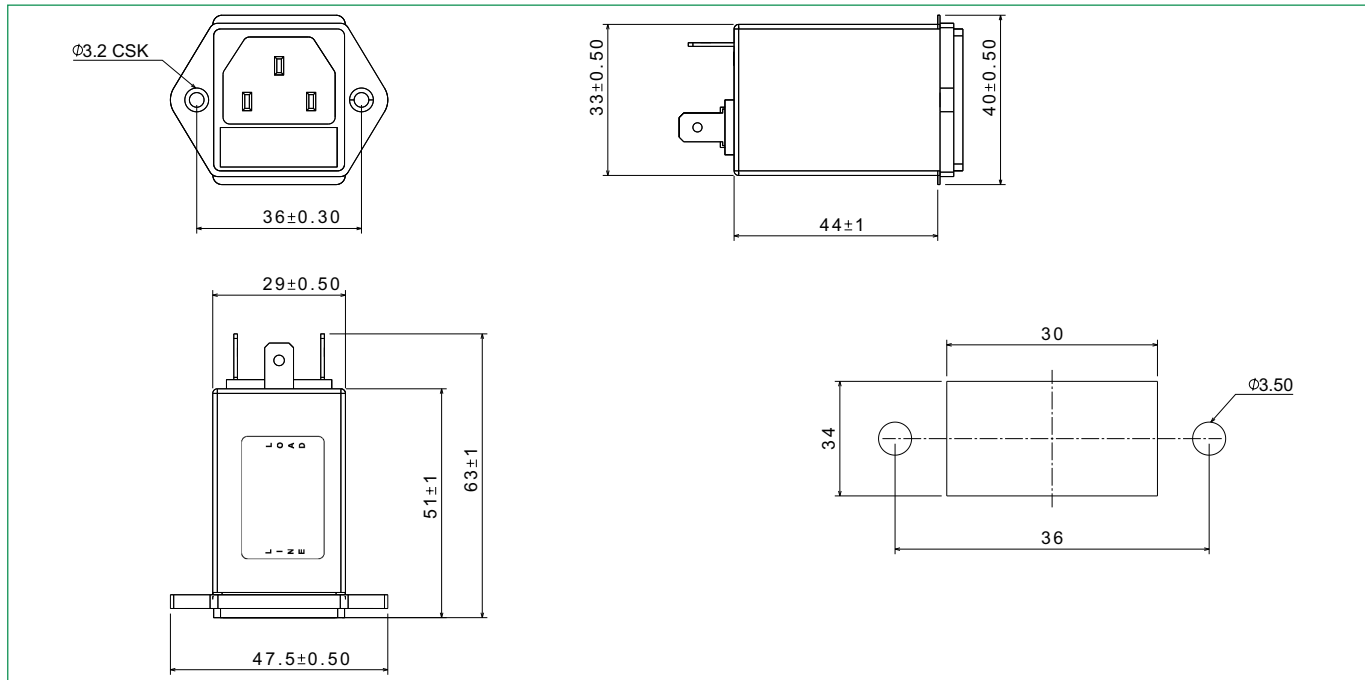
Maximum Continuous Operating Voltage	: 250VAC, 50/60Hz(UL Approval) 250VDC
Operating Frequency	: DC to 400Hz
Current ratings	: 1A to 10A @40°C
High Potential test voltage	: L to G 2250Vdc for 1 Minute L to L 1450Vdc for 1 Minute
Overload Capability	: 135% of Rated current for 15 minutes
Design Corresponding to	: UL 60939-3, CSA 22.2 No.8-13
Flammability corresponding to	: UL 94 V-0
Temperature range	: -25°C to +85°C
Climatic Category	: 25/85/21

Ordering Information

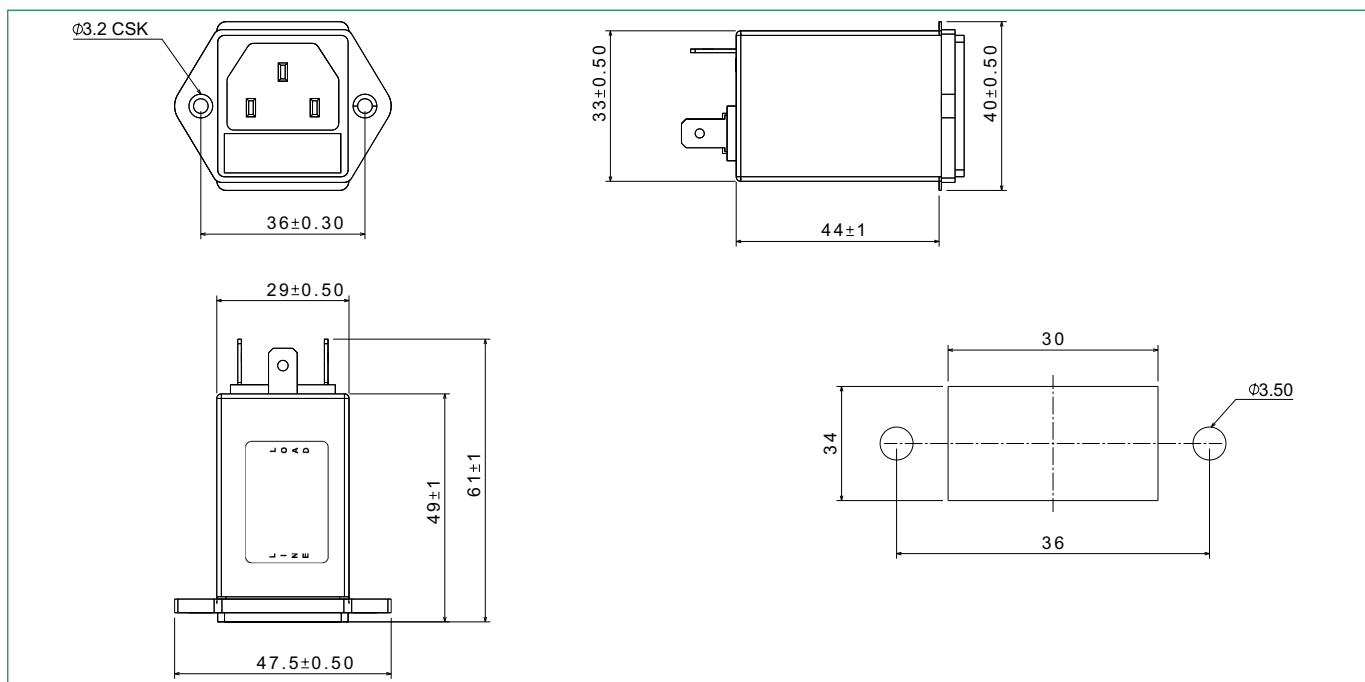
Model Number	Part Number (Single Fuse)	Part Number (Double Fuse)	Rated Current @40°C	Leakage Current (μA) @250VAC/50Hz	Termination	Weight (Grams)
MF 150	E101034-2	E101035-2	1A	<5	Fastons - 6.3x0.8	60
MF 150	E101034-3	E101035-3	3A	<5	Fastons - 6.3x0.8	60
MF 150	E101034-4	E101035-4	6A	<5	Fastons - 6.3x0.8	60
MF 150	E101034-5	E101035-5	10A	<5	Fastons - 6.3x0.8	60

Mechanical Drawing:

1 to 10A Types (Single Fuse)



1 to 10A Types (Double Fuse)

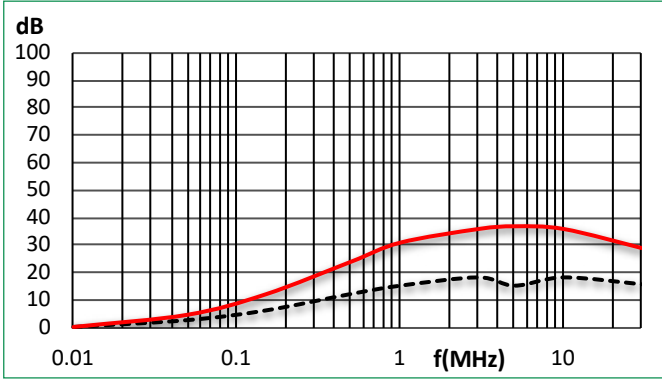


Note: All dimensions in mm; Tolerances according to ISO2768-C

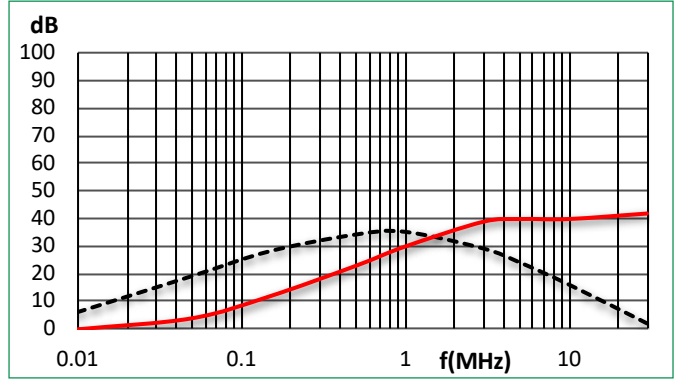
Insertion Loss : Common mode _____ Differential Mode

Per CISPR 17; DM=50/50 sym; CM=50/50 asym

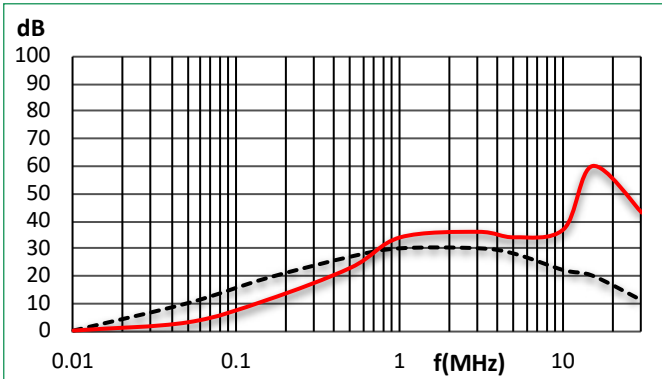
1A



3A



6A



10A

