

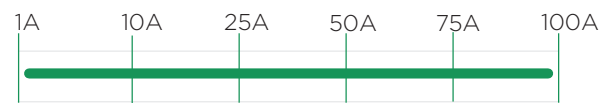
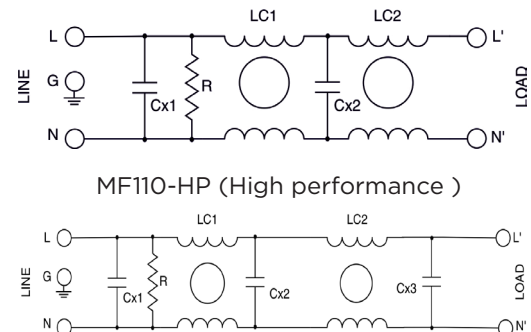

Features:

- Double stage filter
- Ultra-low leakage current
- Superior Performance
- Chassis mounting

Applications:

- Medical Equipment
- Diagnostic Equipment
- X-Ray Machines
- Low Leakage Applications

Performance Indicator



Rated current [A]

Typical circuit Diagram

DATA SHEET
**SINGLE PHASE EMI FILTER - MF 110
MEDICAL VERSION**
Description

These series range of dual stage filters with ultra-low leakage current and good insertion loss suitable for medical application meeting the requirements of medical Standards.

Technical Specifications:

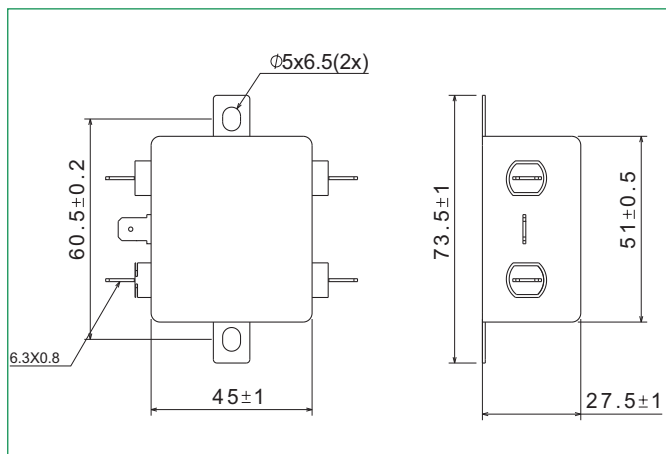
Maximum Continuous Operating Voltage	: 250VAC, 50/60Hz(UL Approval) 250VDC
Operating Frequency	: DC to 400Hz
Current ratings	: 1A to 100A @40°C
High Potential test voltage	: L to G 2250Vdc for 1 Minute L to L 1450Vdc for 1 Minute
Overload Capability	: 135% of Rated current for 15 minutes
Design Corresponding to	: CSA 22.2 No.8-13 and UL 60939-3 (only for MF 110)
Flammability corresponding to	: UL 94 V-0
Temperature range	: -25°C to +85°C
Climatic Category	: 25/85/21

Ordering Information

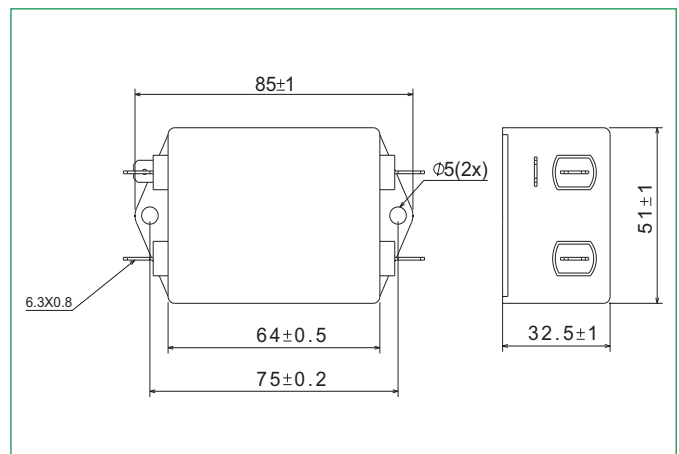
Model Number	Part Number	Rated Current @40°C	Leakage Current (μA) @250VAC/50Hz	Termination		Weight (Grams)
						
MF 110	E100788-2	1A	<5	6.3 x 0.8		120
MF 110	E100788-3	2A	<5	6.3 x 0.8		120
MF 110	E100788-4	3A	<5	6.3 x 0.8		170
MF 110	E100788-5	6A	<5	6.3 x 0.8		170
MF 110	E100788-6	10A	<5	6.3 x 0.8		170
MF 110	E100788-7	15A	<5	6.3 x 0.8		200
MF 110	E100788-8	20A	<5		M5	650
MF 110	E100788-9	25A	<5		M5	650
MF 110	E100788-10	30A	<5		M5	650
MF 110	E100788-11	35A	<5		M5	1000
MF 110	E100788-12	40A	<5		M5	1000
MF 110	E100788-13	50A	<5		M6	2000
MF 110	E100788-14	60A	<5		M6	2000
MF 110	E100788-15	100A	<5		M8	2000
MF 110-HP	E102483-1	1A	<5	6.3 x 0.8		120
MF 110-HP	E102483-2	3A	<5	6.3 x 0.8		120
MF 110-HP	E102483-3	4A	<5	6.3 x 0.8		170
MF 110-HP	E102483-4	6A	<5	6.3 x 0.8		170
MF 110-HP	E102483-5	8A	<5	6.3 x 0.8		170
MF 110-HP	E102483-6	10A	<5	6.3 x 0.8		200
MF 110-HP	E102483-7	12A	<5	6.3 x 0.8		650
MF 110-HP	E102483-8	16A	<5	6.3 x 0.8		650
MF 110-HP	E102483-9	20A	<5		M4	650
MF 110-HP	E102483-10	30A	<5		M4	650

Mechanical Drawing:

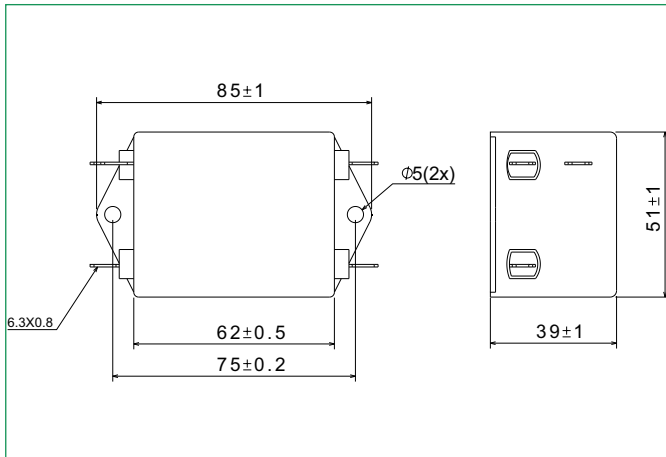
1A-2A



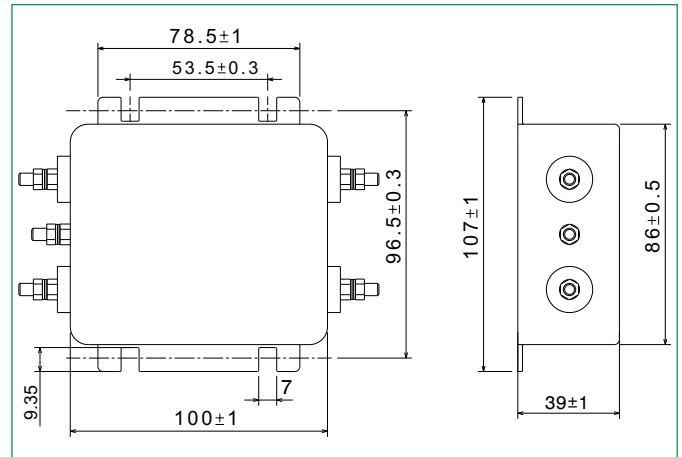
3A-10A



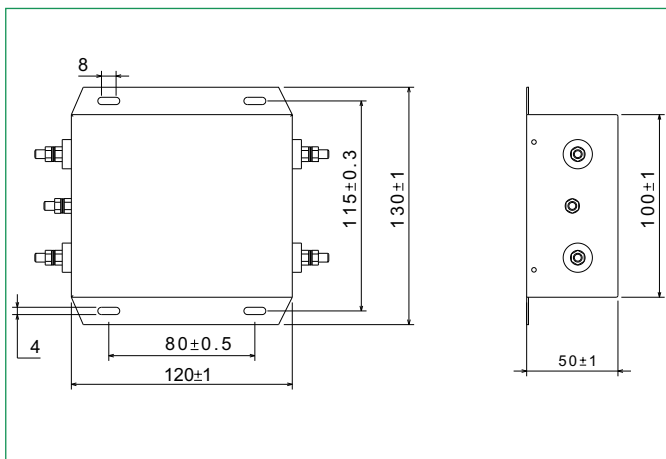
15A



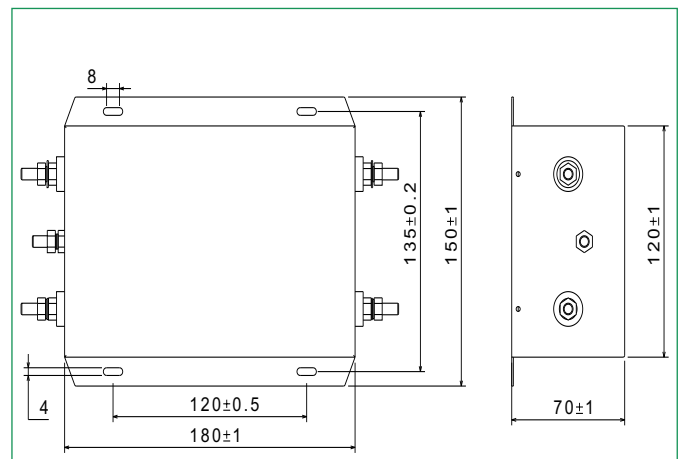
20A-30A



35A-40A



50A-100A

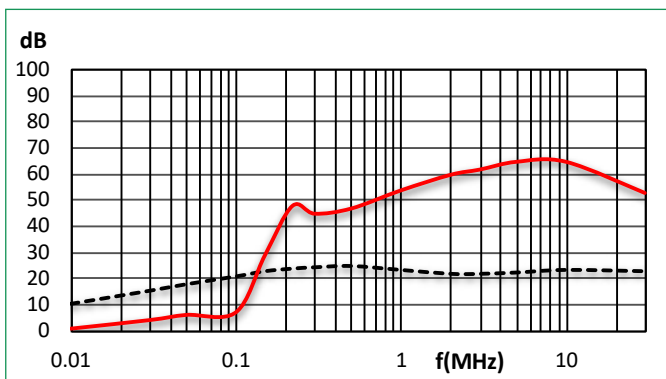


Bolt	M5	M6	M8	M10
Recommended Torque (Nm)	2-2.2	3.5-4	8-9	15-17
Earth Terminal (Nm)	2-2.2	3.5-4	8-9	15-17

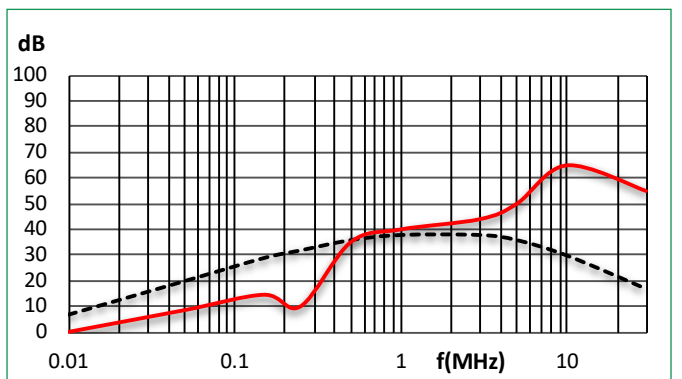
Note: All dimensions in mm; Tolerances according to ISO2768-C

Insertion Loss : Common mode Differential Mode
 Per CISPR 17; DM=50/50 sym; CM=50/50 asym

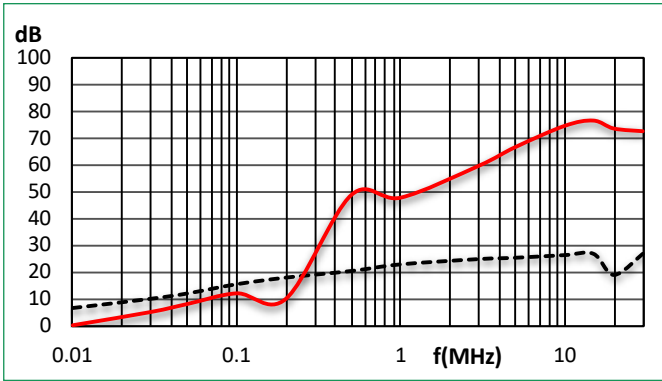
1A



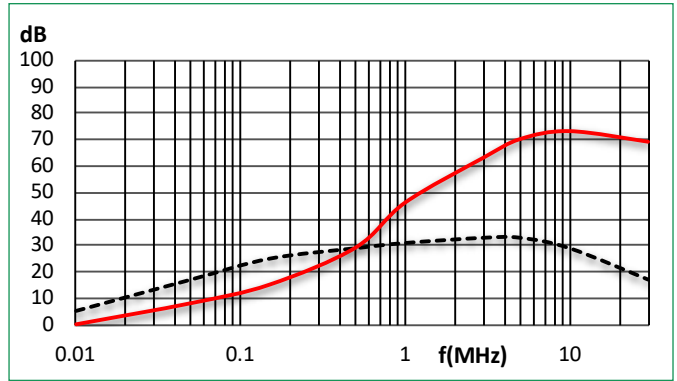
2A



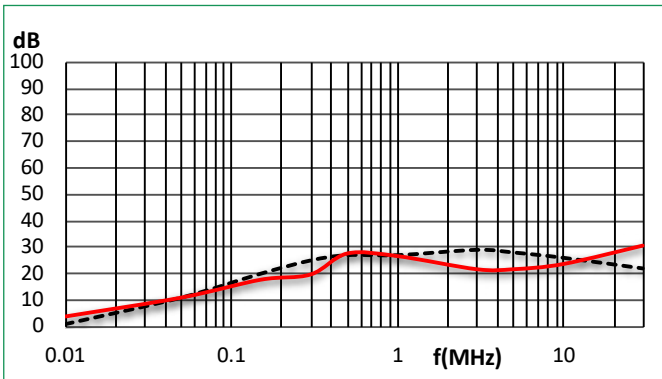
3A



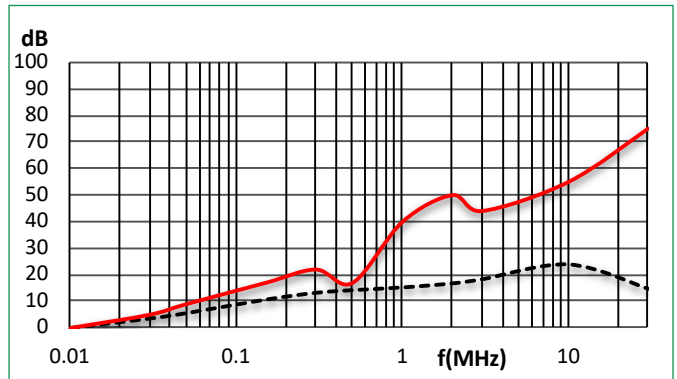
6A



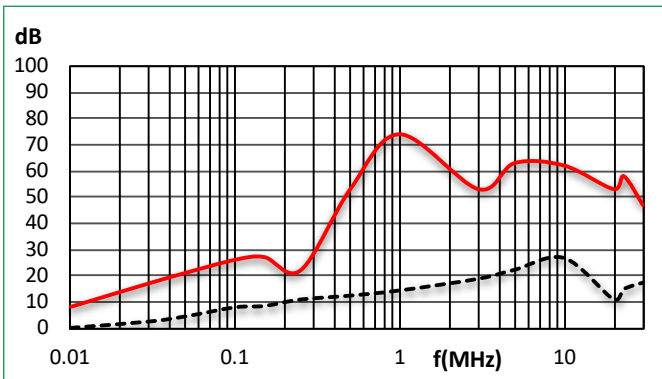
10A



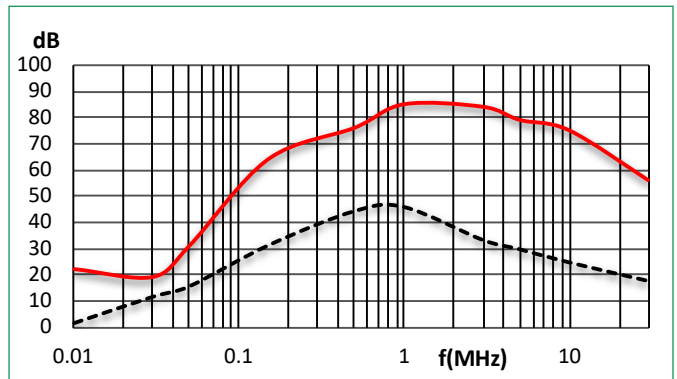
15A



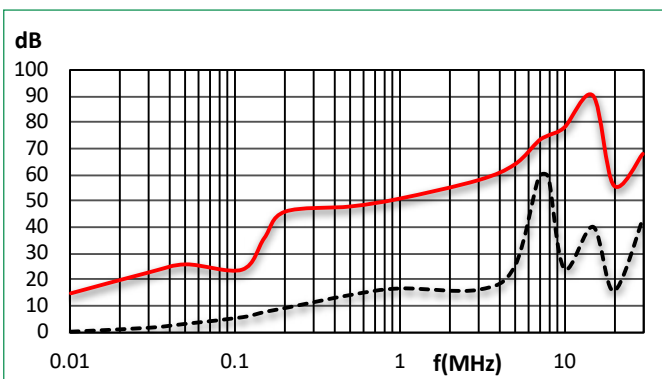
20A



30A



40A



50A to 100A

