


Features:

- Integral IEC Connector
- High conducted attenuation performance
- Rated currents up to 10 A
- Double Pole Single Throw Switch

Applications:

- Medical Application
- Electrical & Electronic Equipments
- Testing & Measurement Equipments
- Household equipment
- Rack mounting equipment

DATA SHEET
**SINGLE PHASE EMI FILTER - MF 320
IEC INLET WITH FUSE & SWITCH TYPE**
Description

These series range of IEC Inlet type filters with fuse and Switch are designed to suppress undesirable electrical disturbances in Power Lines. They limit the amplitude of interfering voltages on AC power lines and prevent them from propagating into or out of the filtered equipment.

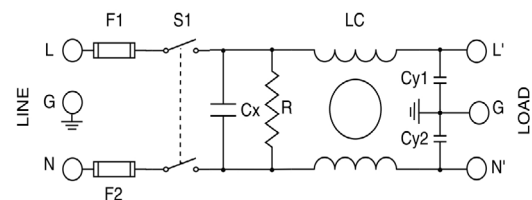
Technical Specifications:

Maximum Continuous Operating Voltage	: 250VAC, 50/60Hz (UL Approval) 250VDC
Operating Frequency	: DC to 400Hz
Current ratings	: 1A to 10A @40°C
High Potential test voltage	: L+N - G 2250VDC for 1 Minute L-N 1450VDC for 1 Minute
Overload Capability	: 135% of Rated current for 15 minutes
Design Corresponding to	: UL 60939-3, CSA 22.2 No.8-13 and IEC 60939-1&2
Flammability corresponding to	: UL 94 V-0
Temperature range	: -25°C to +85°C
Climatic Category	: 25/85/21

Performance Indicator

Standard	High	Very High
█		

Rated current [A]

Typical circuit Diagram


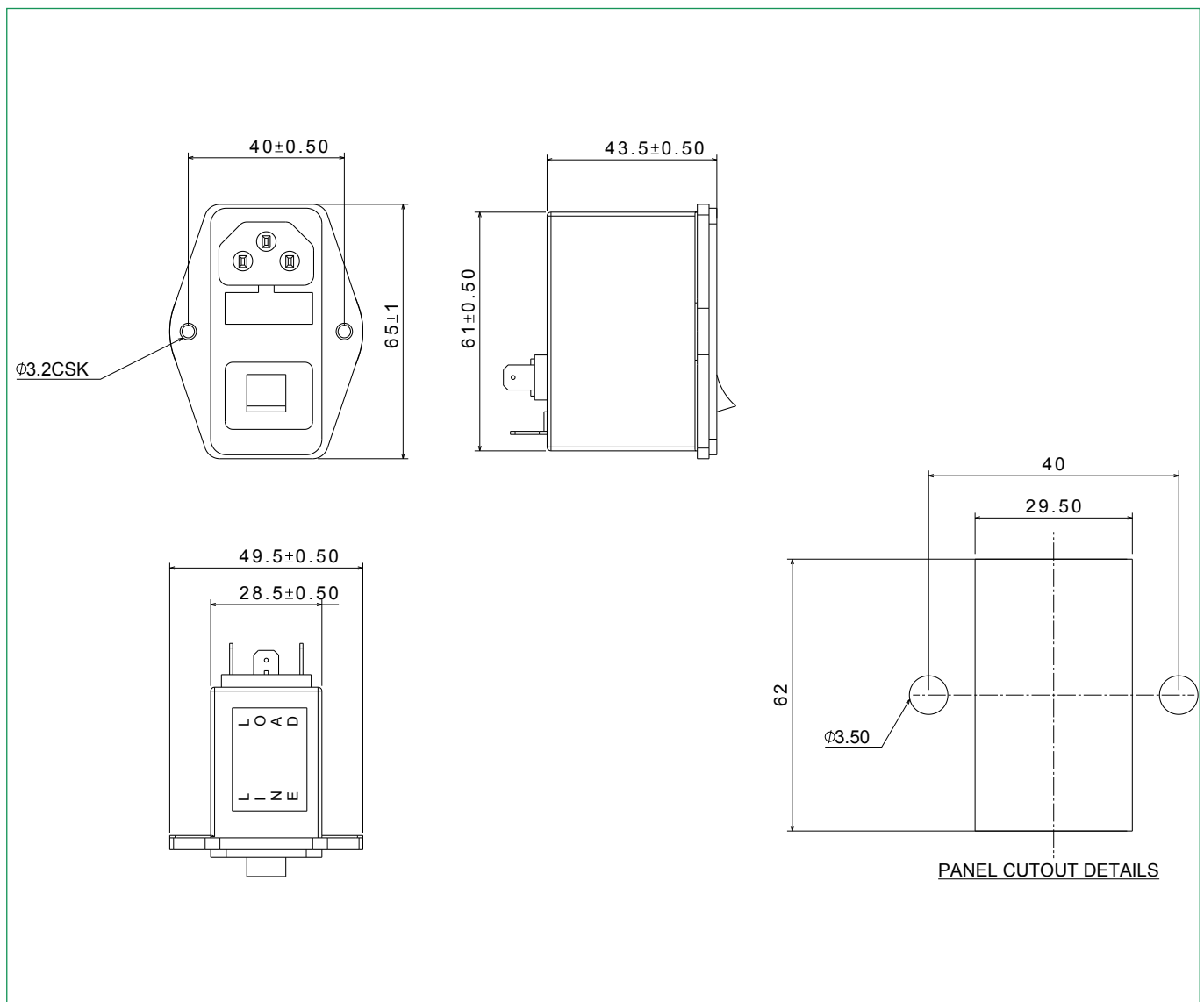
Ordering Information

Model Number	Part Number	Rated Current @40°C	Leakage Current (mA) @250VAC/50Hz	Termination	Weight (Grams)
MF 320	E100017-2	1A	0.34	Fastons - 6.3x0.8	120
MF 320	E100017-3	3A	0.34	Fastons - 6.3x0.8	120
MF 320	E100017-4	6A	0.34	Fastons - 6.3x0.8	120
MF 320	E100017-5	10A	0.34	Fastons - 6.3x0.8	120

Customized filters are provided on request

Mechanical Drawing:

1 to 10A Types

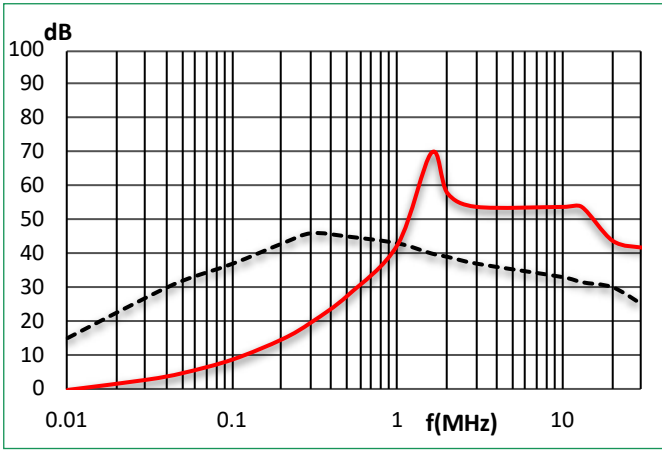


Note: All dimensions in mm; Tolerances according to ISO2768-C

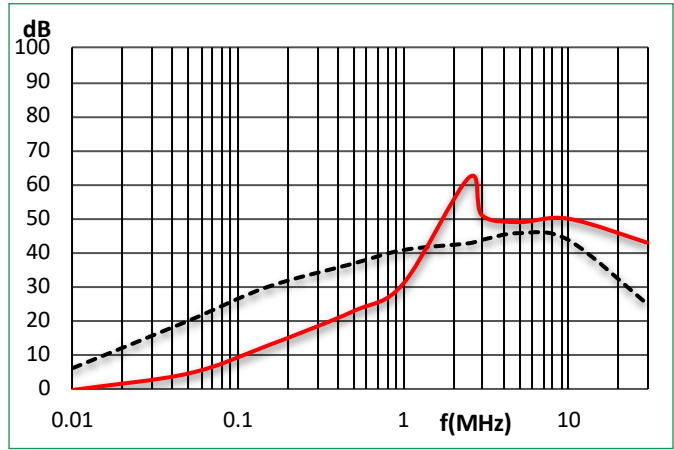
Insertion Loss : Common mode _____ Differential Mode

Per CISPR 17; DM=50/50 sym; CM=50/50 asym

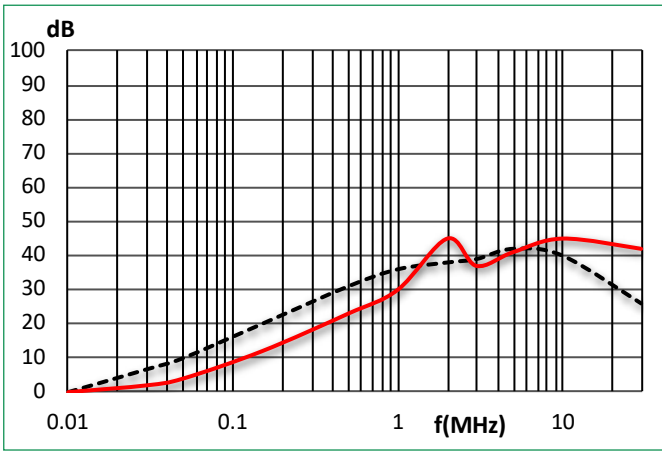
1A



3A



6A



10A

