



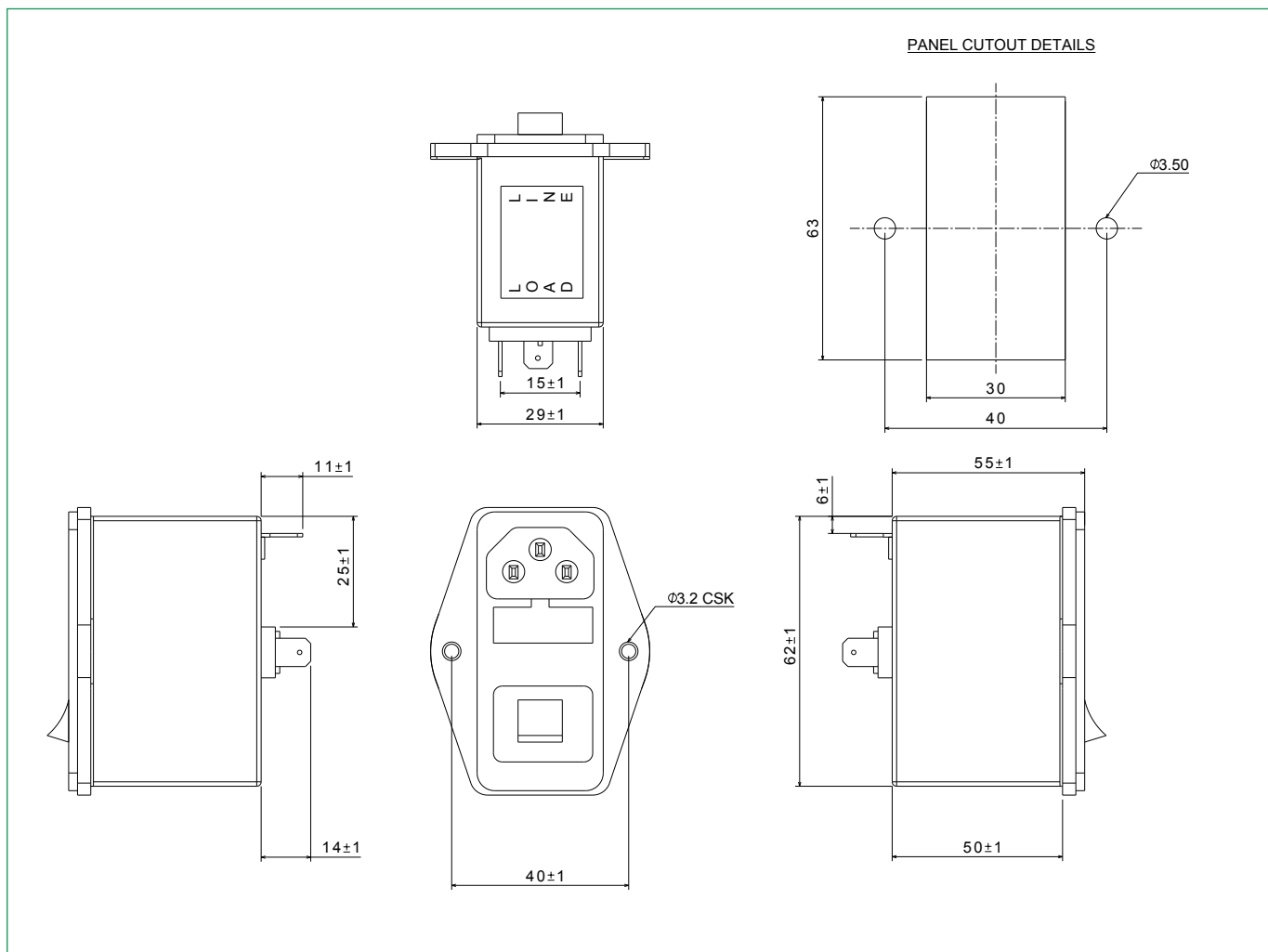
## Ordering Information

Model Number	Part Number	Rated Current @40°C	Leakage Current (mA) @250VAC/50Hz	Termination	Weight (Grams)
MF 320-2D	E100131-2	1A	0.34	Fastons - 6.3x0.8	200
MF 320-2D	E100131-3	3A	0.34	Fastons - 6.3x0.8	200
MF 320-2D	E100131-4	6A	0.34	Fastons - 6.3x0.8	200
MF 320-2D	E100131-5	10A	0.34	Fastons - 6.3x0.8	200

Customized filters are provided on request

## Mechanical Drawing:

### 1 to 10A Types

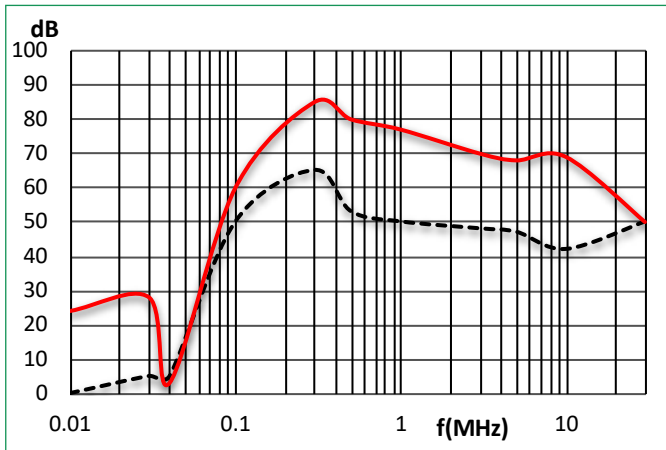


Note: All dimensions in mm; Tolerances according to ISO2768-C

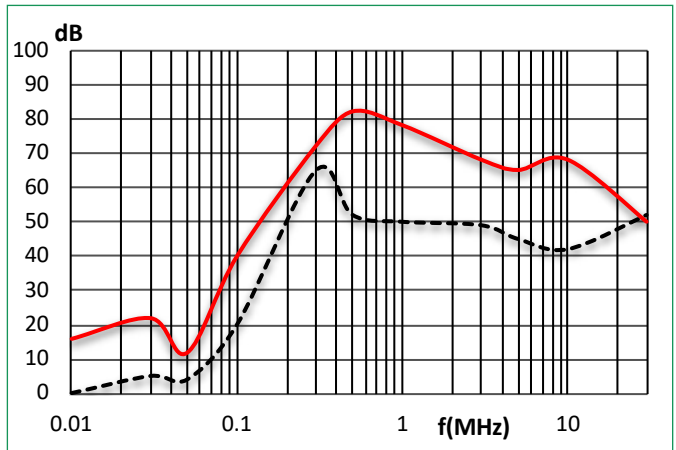
Insertion Loss : ..... Common mode \_\_\_\_\_ Differential Mode

Per CISPR 17; DM=50/50 sym; CM=50/50 asym

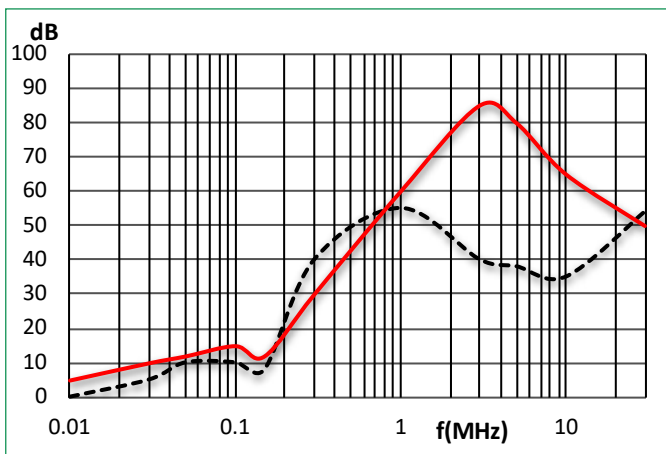
1A



3A



6A



10A

