


Features:

- Integral IEC Connector
- Standard performance/size ratio
- Rated currents up to 10 A
- Double Fuse/Single Fuse Option
- High conducted attenuation performance

Applications:

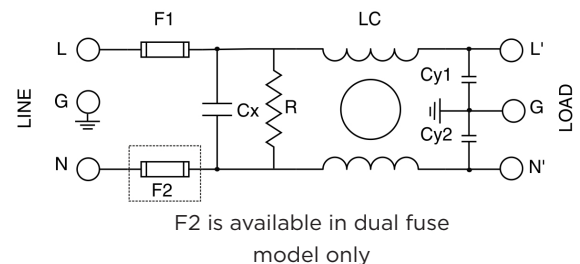
- Electrical & Electronic Equipments
- Testing & Measurement Equipments

DATA SHEET
**SINGLE PHASE EMI FILTER - MF 310
IEC INLET WITH FUSE TYPE**
Description

These series range of IEC Inlet type filters with fuse to suppress undesirable electrical disturbances in Power Lines. They limit the amplitude of interfering voltages on AC power lines and prevent them from propagating into or out of the filtered equipment.

Performance Indicator

Rated current [A]

Typical circuit Diagram

Technical Specifications:

Maximum Continuous Operating Voltage	: 250VAC, 50/60Hz (UL Approval) 250VDC
Operating Frequency	: DC to 400Hz
Current ratings	: 1A to 10A @40°C
High Potential test voltage	: L+N - G 2250VDC for 1 Minute L-N 1450VDC for 1 Minute
Overload Capability	: 135% of Rated current for 15 minutes
Design Corresponding to	: UL 60939-3, CSA 22.2 No.8-13 and IEC 60939-1&2
Flammability corresponding to	: UL 94 V-0
Temperature range	: -25°C to +85°C
Climatic Category	: 25/85/21

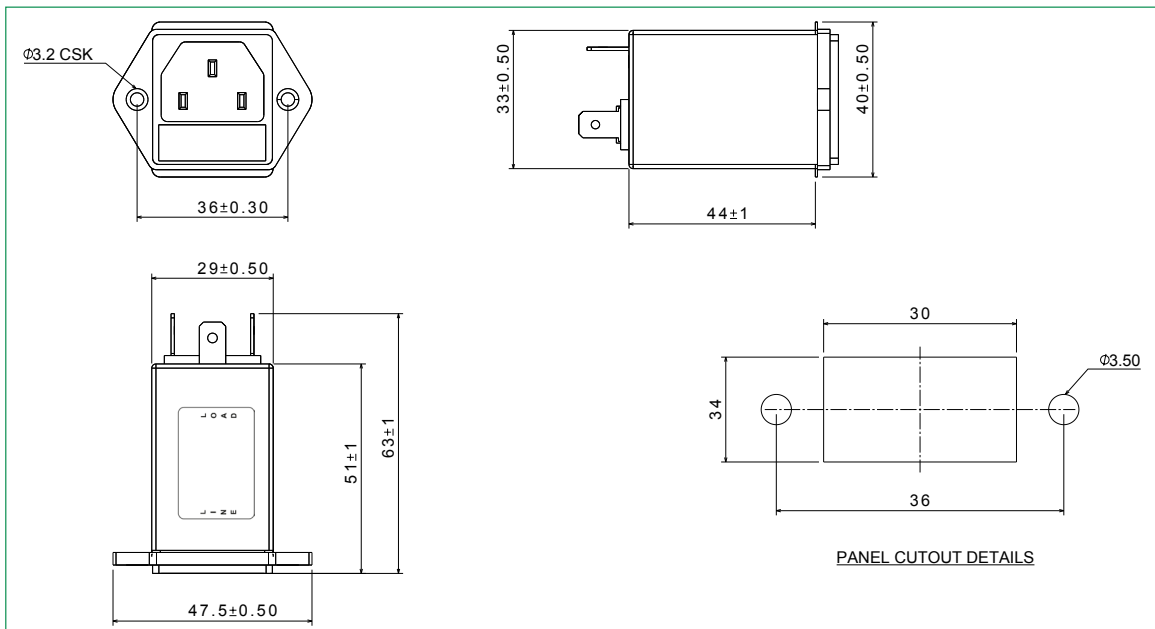
Ordering Information

Model Number	Part Number (Single Fuse)	Part Number (Double Fuse)	Rated Current @40°C	Leakage Current (mA) @250VAC/50Hz	Termination	Weight (Grams)
MF 310	E100012-2	E100012-6	1A	0.34	Fastons - 6.3x0.8	65
MF 310	E100012-3	E100012-7	3A	0.34	Fastons - 6.3x0.8	65
MF 310	E100012-4	E100012-8	6A	0.34	Fastons - 6.3x0.8	65
MF 310	E100012-5	E100012-9	10A	0.34	Fastons - 6.3x0.8	65

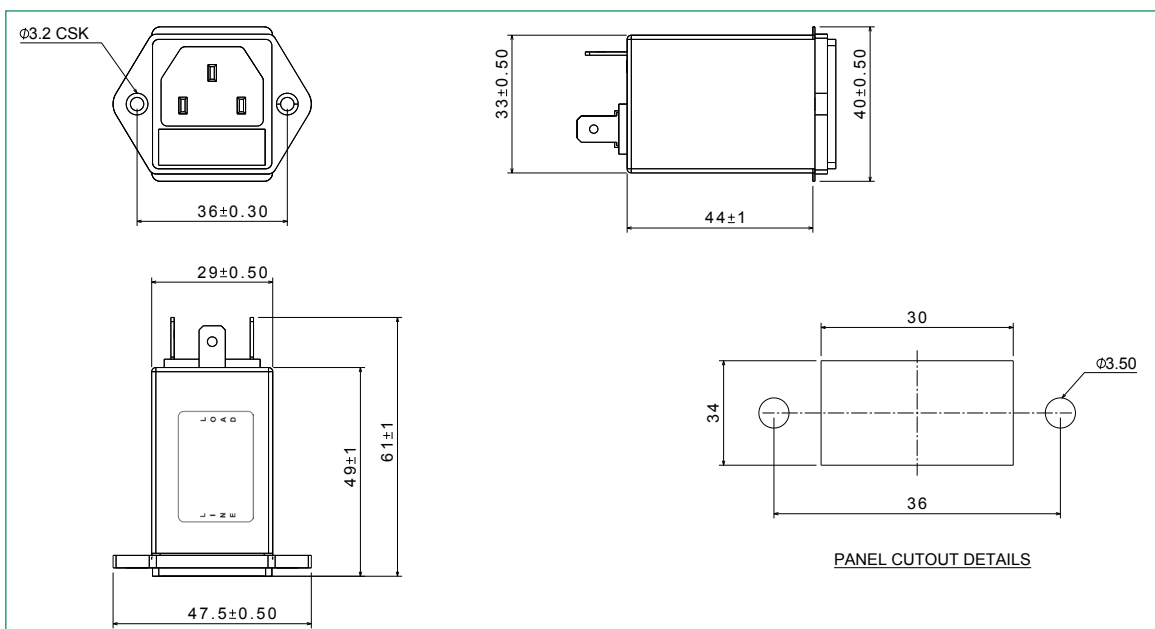
Customized filters are provided on request.

Mechanical Drawing:

1 to 10A Types (Single Fuse)



1 to 10A Types (Double Fuse)

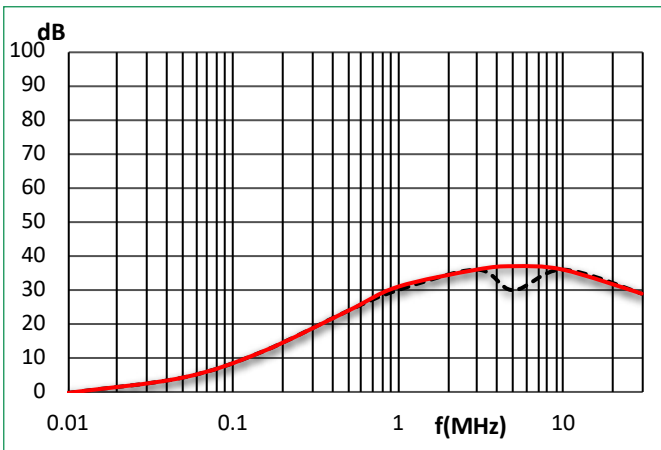


Note: All dimensions in mm; Tolerances according to ISO2768-C

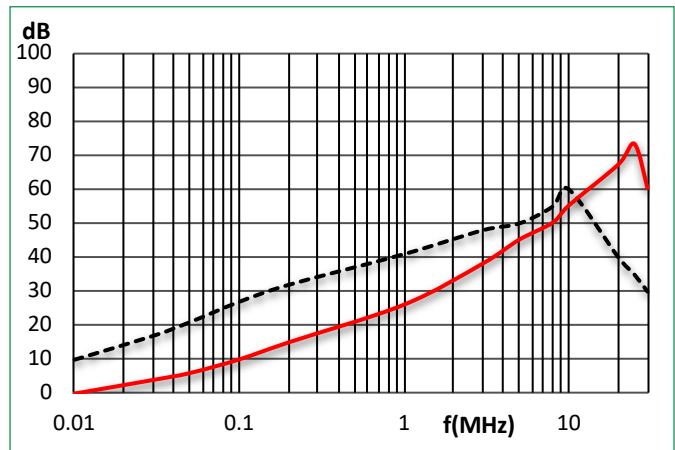
Insertion Loss : Common mode _____ Differential Mode

Per CISPR 17; DM=50/50 sym; CM=50/50 asym

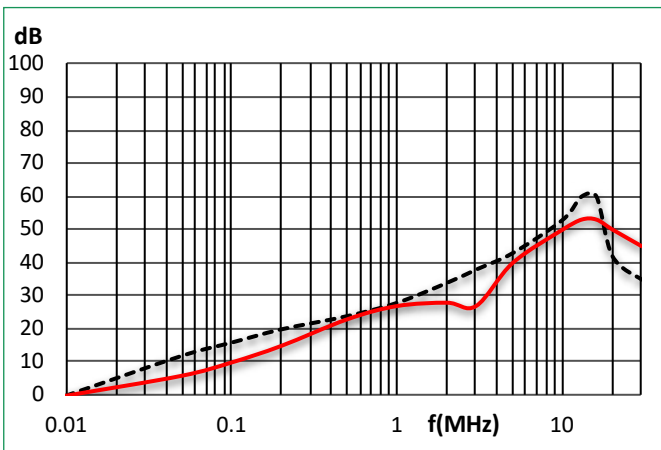
1A



3A



6A



10A

