


**DATASHEET**

# THREE PHASE DV/DT REACTOR - PQR SERIES

**Description**

These series range of dv/dt reactors are designed to reduce drive output voltage and thus increasing motor service life. These reactors provide efficient motor protection.

**Technical Specifications**

Maximum operating voltage	400VAC
Operating Frequency	50 Hz
Current ratings	4A to 1000A
Impedance	0.8% at 400VAC, 50Hz and rated current
High Potential test voltage	3000VAC for 2 sec
Overload Capability	1.5 times of rated current for 1 Min, every hour
Design Corresponding to	EN 61558-2-20, EN 60076-6
Temperature range	-25°C to +85°C
Climatic Category	25/85/21
Type of Cooling	Natural Cooling AN
Protection Category	IP 00
Insulation Class	Class F
Motor Cable length	30 meters max.

**Features**

DV/DT reduction

Reduction of voltage stress at the motor

Easy to install

Protection of motor coil insulation from premature aging and destruction

Compact design

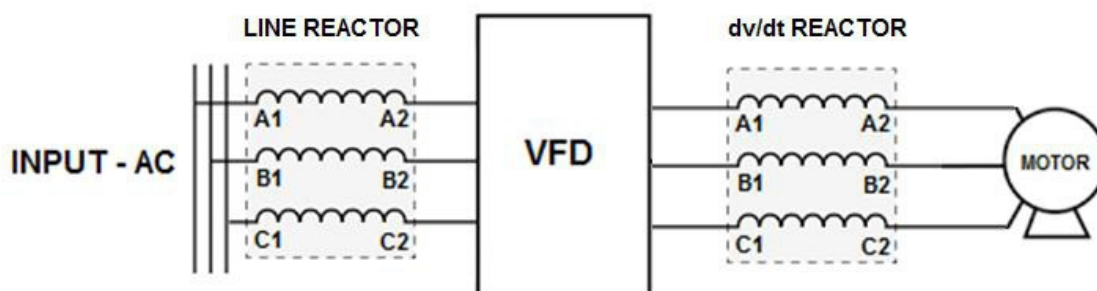
Comply with industry standards

**Applications**

Motor Drive application with short cable length

Frequency Converters for Motor Drive like Elevators, pumps.

Machinery comprise of Servo motors.

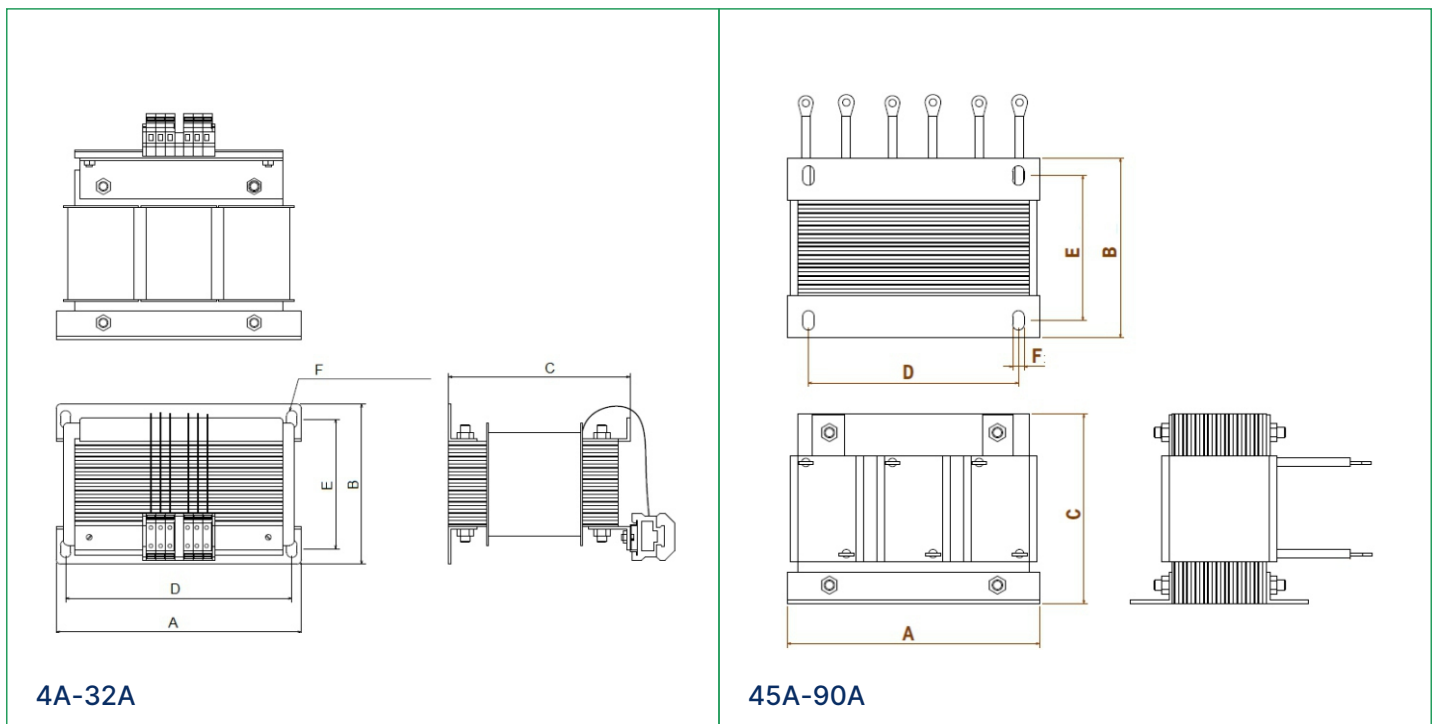
**Connection Diagram**


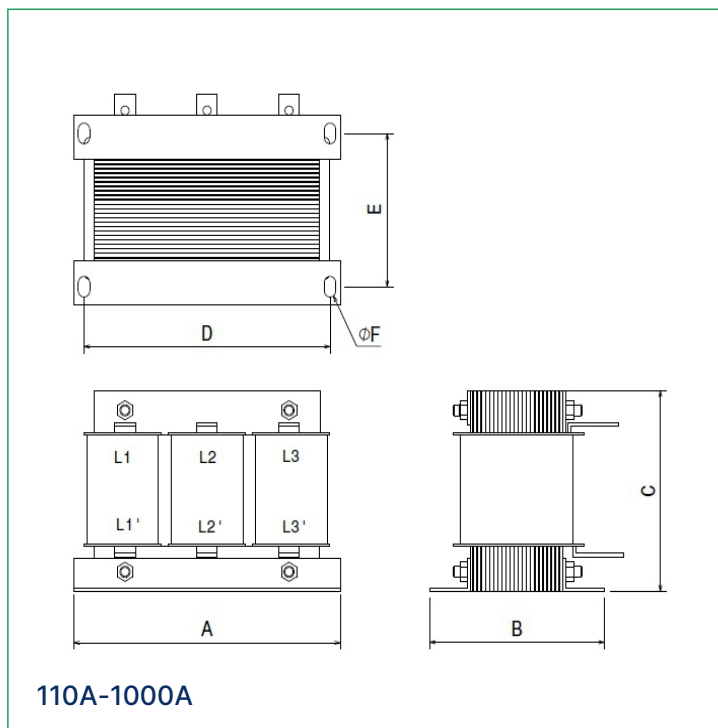
## Technical Data

Part Number	Rated Current @40° C	Rated Power @400V (KW)	Inductance (mH)
PQR-83400-4-DC3	4	1.5	1.47
PQR-83400-8-DC3	8	3	0.75
PQR-83400-10-DC3	10	4	0.6
PQR-83400-14-DC3	14	5.5	0.42
PQR-83400-17-DC3	17	7.5	0.35
PQR-83400-24-DC3	24	11	0.25
PQR-83400-32-DC3	32	15	0.184
PQR-83400-45-WL3	45	22	0.131
PQR-83400-60-WL3	60	30	0.098
PQR-83400-72-WL3	72	37	0.082
PQR-83400-90-WL3	90	45	0.065
PQR-83400-110-BB3	110	55	0.053
PQR-83400-124-BB3	124	55	0.047
PQR-83400-143-BB3	143	75	0.041
PQR-83400-156-BB3	156	75	0.038
PQR-83400-170-BB3	170	90	0.035
PQR-83400-182-BB3	182	90	0.032
PQR-83400-230-BB3	230	132	0.026
PQR-83400-280-BB3	280	160	0.021
PQR-83400-330-BB3	330	160	0.018
PQR-83400-400-BB3	400	200	0.015
PQR-83400-500-BB3	500	250	0.012
PQR-83400-800-BB3	790	450	0.007
PQR-83400-1000-BB3	1000	630	0.005

\*General purpose four-pole (1500 r/min) AC induction motor rated 400 V/50 Hz.

## Mechanical Drawings





## Mechanical Dimensions

Model Number	A	B	C	D	E	F
PQR-83400-4-DC3	124	70	110	109	50	12x6
PQR-83400-8-DC3	124	70	110	109	50	12x6
PQR-83400-10-DC3	124	70	110	109	50	12x6
PQR-83400-14-DC3	140	70	110	124	50	12x6
PQR-83400-17-DC3	140	70	110	124	50	12x6
PQR-83400-24-DC3	140	70	110	124	50	12x6
PQR-83400-32-DC3	140	75	110	124	55	12x6
PQR-83400-45-WL3	145	96	135	129	76	12x6
PQR-83400-60-WL3	145	96	135	129	76	12x6
PQR-83400-72-WL3	200	80	165	186	60	15x8.5
PQR-83400-90-WL3	200	80	165	186	60	15x8.5
PQR-83400-110-BB3	200	90	165	186	70	15x8.5
PQR-83400-124-BB3	200	102	165	186	82	15x8.5
PQR-83400-143-BB3	200	115	165	186	95	15x8.5
PQR-83400-156-BB3	200	115	165	186	95	15x8.5
PQR-83400-170-BB3	200	115	165	186	95	15x8.5
PQR-83400-182-BB3	250	111	190	210	81	10x16
PQR-83400-230-BB3	250	124	190	210	94	10x16
PQR-83400-280-BB3	250	136	190	210	106	10x16
PQR-83400-330-BB3	250	136	190	210	106	10x16
PQR-83400-400-BB3	300	111	200	250	81	10x16
PQR-83400-500-BB3	300	111	200	250	81	10x16
PQR-83400-800-BB3	300	130	200	250	100	10x16
PQR-83400-1000-BB3	300	130	200	250	100	10x16

Note:

- 1) All dimensions are in mm. Tolerances are applicable.
- 2) Above dimensions are provided approximate and for reference only subject to change without notice. Kindly contact factory to confirm the specifications.