


**DATASHEET**

# SINE WAVE FILTER

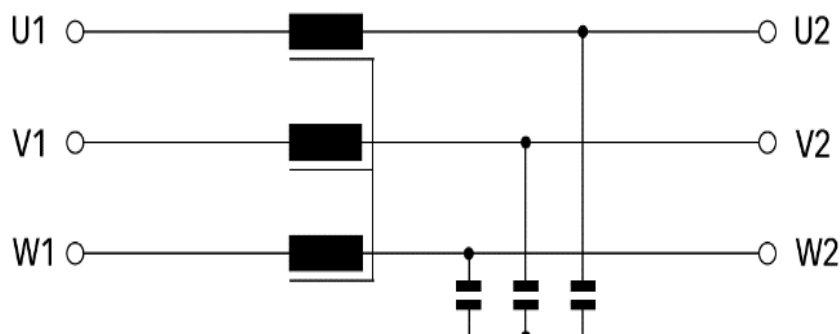
## Description

Sinewave filter are used in combination with variable speed drives to protect the motor against excessive voltage spikes and overheating.

## Technical Specifications

Rated Voltage	400VAC
Operating Frequency	50 Hz
Rated Current	2.3A to 1000A @ 40° C
Impedance	6 % at 400VAC, 50Hz at rated current
Overload Capability	1.5 times of rated current for 1 Minute once per hour
Design Corresponding to	EN 61558-2-20, EN 60076-6
Climatic Category	25/85/21
Type of Cooling	Natural Cooling AN
Protection Category	IP00
Ambient temperature range	-25° C to +40° C
Insulation Class	Class F

## Circuit Diagram



## Benefits

Reduce dv/dt significantly

Elimination of premature motor damage  
Caused by high dv/dt, over voltage, cable ringing, motor overheating and eddy current losses

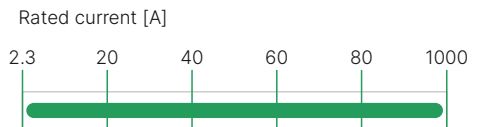
## Applications

HVAC applications

Pumps & Conveyors

Elevators & Cranes

Motor drive with long motor cables.



## Selection Table

Part Number	Rated Filter input current @40° C (A)	Rated Power @ 400VAC (KW)	Inductance (mH)
3SW2030075	2.30	0.75	19.20
3SW3010101	3.10	1.1	14.20
3SW5090202	5.90	2.2	7.48
3SW1002004	10.20	4	4.32
3SW1302505	13.20	5.5	3.34
3SW1800705	18.00	7.5	2.45
3SW2600011	26.00	11	1.70
3SW3200015	32.00	15	1.38
3SW3800019	38.00	19	1.16
3SW4500022	45.00	22	0.98
3SW6000030	60.00	30	0.74
3SW7500037	75.00	37	0.59
3SW9000045	90.00	45	0.49
3SW1100055	110.00	55	0.40
3SW1450075	145.00	75	0.30
3SW1800090	180.00	90	0.25
3SW2000110	200.00	110	0.22
3SW2500132	250.00	132	0.18
3SW3020160	302.00	160	0.15
3SW4000200	400.00	200	0.11
3SW4770250	477.00	250	0.09
3SW6300315	630.00	315	0.07
3SW7100355	710.00	355	0.06
3SW8000400	800.00	400	0.06
3SW1000500	1000.00	500	0.04