
**DATASHEET**

# ANALOG TELEPHONE LINE EMP SURGE PROTECTOR

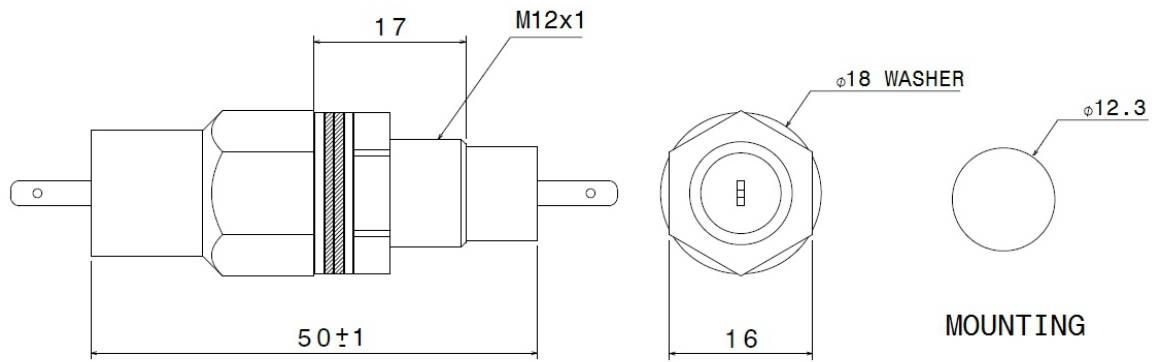
**Technical Specifications**

Nominal Voltage	125VDC/95VAC
Nominal Current	125mA
No. of lines	1 line
Max. Surge current	20kA @8/20 $\mu$ s
Max. Lighting Pulse	2kA
Residual Voltage	<600V
Low Cut-off frequency	180 kHz(3dB)
AC Leakage Current	<100mA
EMP Compliance	MIL-STD-188-125-1/2
Enclosure/Finish	Brass/Plated
IP Rating	IP 67
Weight	300g

**Selection Table**

Model Number	Ordering code
HEMP-ATL-01	HEMPATLFMLBEL

## Mechanical Dimensions



### Accessories

1. Mating plug-in 2.8 - 2 No's
2. Washer - 2 No's
3. Nut - 1 No