


DATASHEET

SERIAL PORT RS422 EMP SURGE PROTECTOR

Description

Serial Port EMP Surge Protectors are designed to meet all the requirements of MIL-STD-188-125-1 and IEC 61000-6-2. These Filter are classified under unrestricted lines of Intrasite of MIL STD-188-125-1 of Data and Tested for the same.

Technical Specifications

Operating Voltage	±3VDC peak signal voltage between lines
Max. Operating voltage	±55VDC Voltage pair to pair and Pair to ground
Max. Operating current	100mA (each wire)
Data rate	12Mbps
Lightning Impulse Current	2kA each wire to ground/case
Input/Output Connection	Rs422 Female MIL-circular Connector
Maximum Surge Current	18 kA, 8/20µs, Single Pulse
DC resistance	Less than 6Ω
HEMP Protection	MIL STD 188-125-1 E1 : input 2.23 kA, Residual :2.5A
Enclosure/Finish	Brass/ Plated
Weight	1KG (Approx.)

Selection Table

Model Number	Ordering code
EMIS-RS-12	EMPRS12MB

Applications

Defence Equipment.

Shielded Rooms.

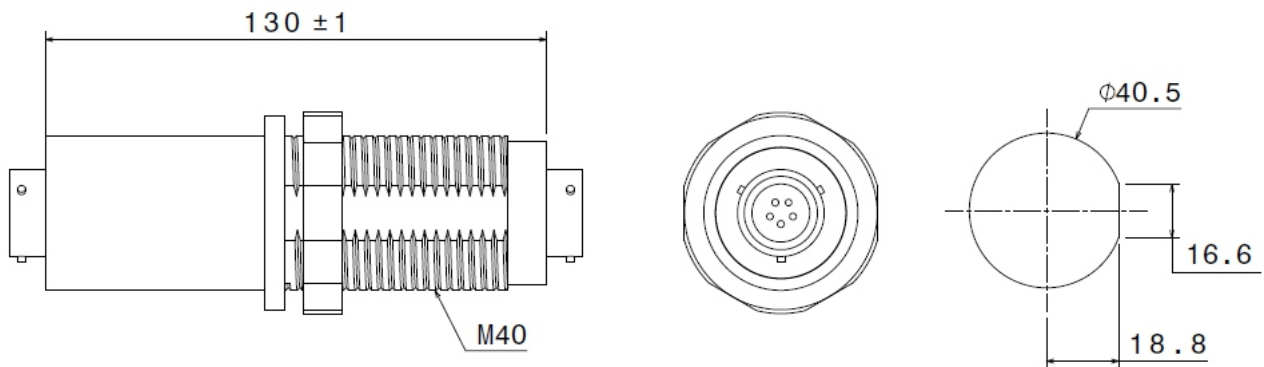
Data Lines.

Features

Very easy to Install

Very Compact.

Models with various data rate is available



ACCESSORIES:

1. Rs422 Mating connector - 2No's
2. Gasket - 2No's
3. Washer - 2No's
4. Nut - 1No