

### Applications

Electronic Equipment

Industrial Automation

Drives

### DATASHEET

# THREE PHASE RC FILTER T-RCF

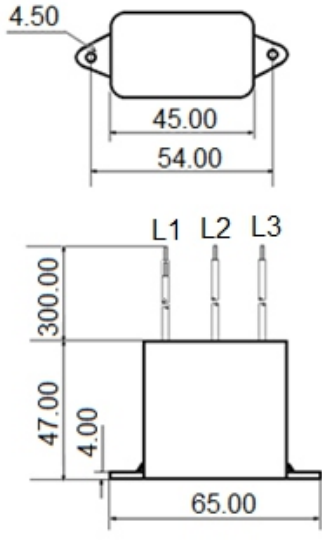
### Description

Voltage Spike Suppressor for circuit with Relays/Contactors and high speed switching devices.

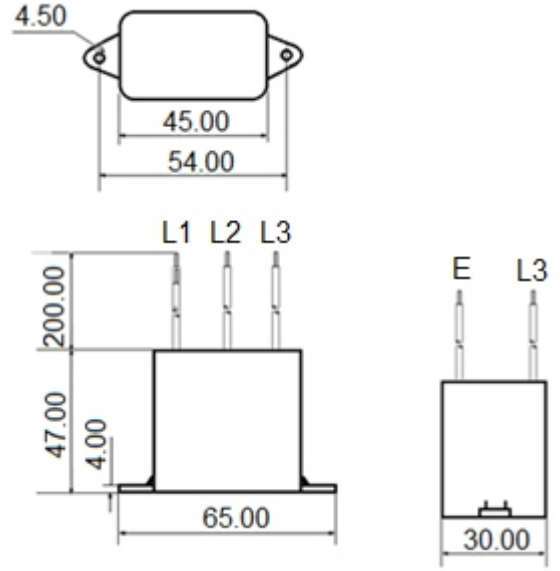
Model Number	Ordering code	No. of Lines	Termination
TRCF -3W	SPRCS3PH000003W	L1,L2,L3	Cable
TRCF-4W	SPRCS3PH000004W	L1,L2,L3 & E	Cable
TRCF-5W	SPRCS3PH000005W	L1,L2,L3,N & E	Cable

### Technical Specifications

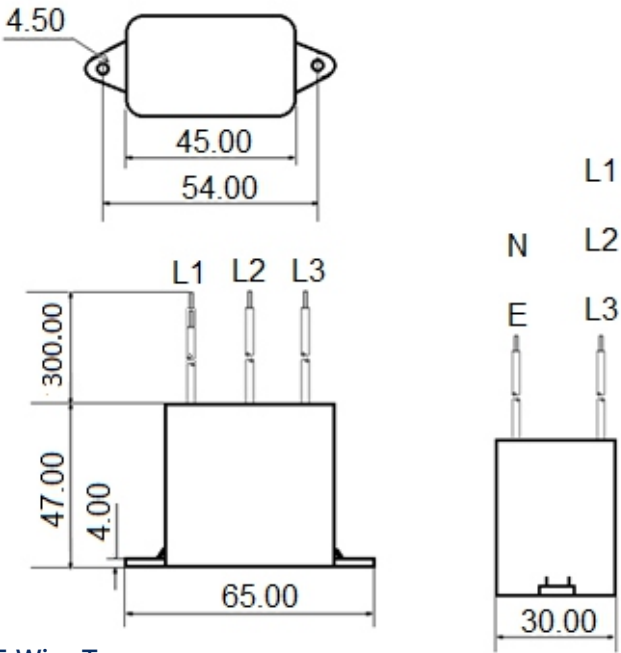
Maximum Continuous Operating Voltage	440 VAC
Temperature range	-25°C to +85°C
Max. Surge Current	6.5KA @8/20µs
Flammability corresponding to	UL 94V-0
Enclosure	PVC



3 Wire Type



4 Wire Type



5 Wire Type