


**DATASHEET**

# ETHERNET RJ 45 EMP SURGE PROTECTOR

**Description**

Ethernet EMP Surge Protectors are designed to meet all the requirement of MIL-STD-188-125-1 and IEC 61000-6-2. These Filter are classified under unrestricted lines of Intrasite of MIL STD- 188-125-1 of Data and Tested for the same. MIL circular connector are provided at the input side of the Filters which helps in easy termination and protection as well.

**Technical Specifications**

Model Number	Ordering code
EMIS-RJ-1000	EMPEN1KM18G

**Technical Specifications**

Operating Voltage	±3VDC peak signal voltage between wire pairs 1-2,3-6,4-5 and 7-8
Max. Operating current	250mA (each wire)
Data rate	10/100/1000 Mbps
Input/Output Connection	RJ45 Female MIL-Circular Connector
HEMP Protection	MIL STD 188-125-1 E1 : input 1.8 kA, Residual :2.5A
Enclosure/Finish	Brass/Plated
Weight	1.85Kg (Max.)

**Applications**

Defence Equipment

Shielded Rooms

Data Lines.

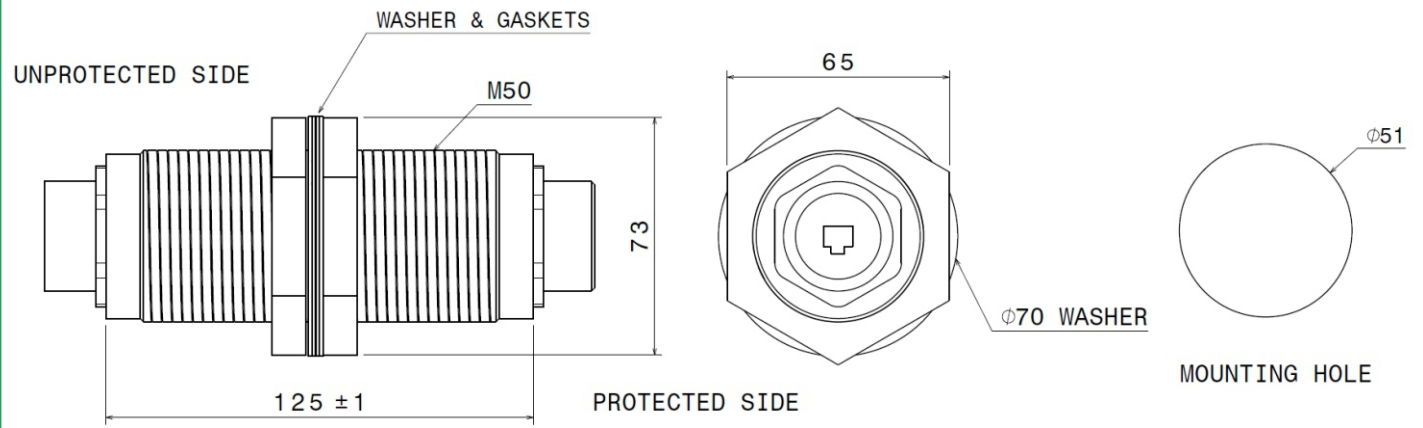
**Features**

Very easy to install

Very Compact

Models with various data rate is available

## Mechanical Dimensions



### Accessories :

1. RJ45 Mating connector - 2No's
2. Gasket - 2No's
3. Washer - 2No's
4. Nut - 2No's