


**DATASHEET**

# THREE PHASE EMI FILTER - BOOK SHELF TYPE MF423 3 2D BS

**Description**

These series range of three phase filters with book shelf design is designed for motor drive applications requiring minimum space and convenient installation with superior performance at significant interference levels.

**Technical Specifications**

Maximum operating voltage	440/520VAC
Operating Frequency	50/60 Hz
Current ratings	7A to 150A @ 40°C
High Potential test voltage	L to G 2660Vdc for 1 Minute L to L 1950Vdc for 1 Minute
Overload Capability	135% of Rated current for 15 minutes
Design Corresponding to	UL 1283, CSA 22.2 No.8-13 and IEC 60939
Flammability corresponding to	UL 94 V-0
Temperature range	-25°C to +85°C
Climatic Category	25/85/21
Enclosure Material	Aluminium

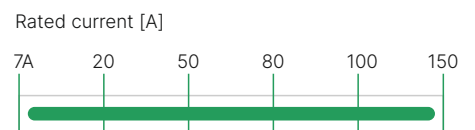
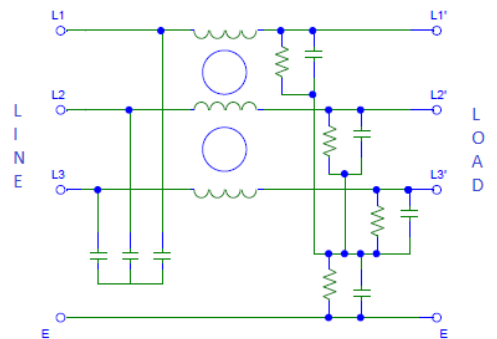
**Approvals & Compliance**

**Features**

- 3 Phase filters for drives/invertors
- Compact/Light Weight/Cost Effective
- Bookshelf Design
- 7A to 150A Current rating

**Applications**

- AC/DC Drives
- Generator
- Wind Turbine
- Fuel Cells
- Elevators

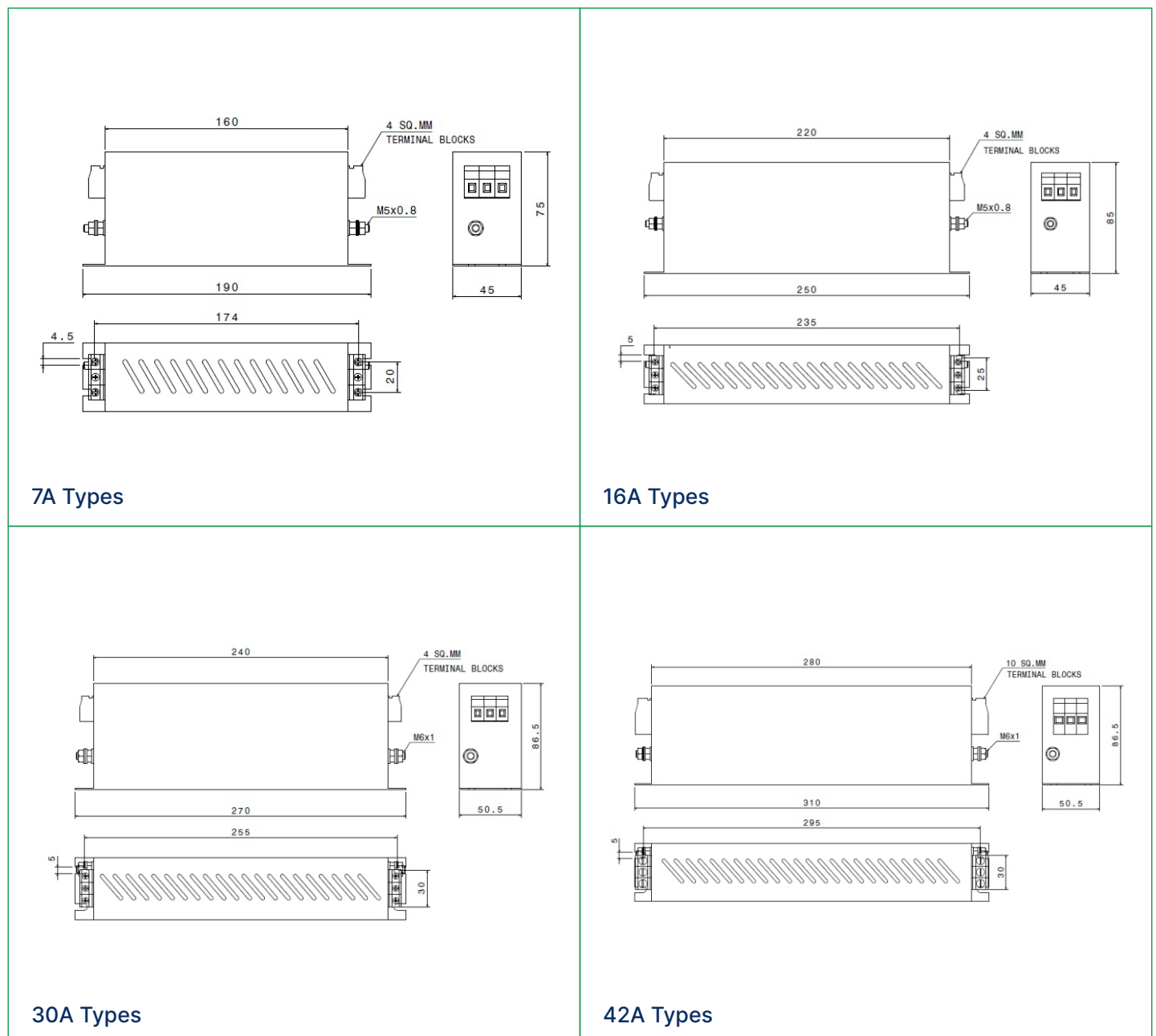
**Performance Indicators**

**Typical Circuit Diagram**


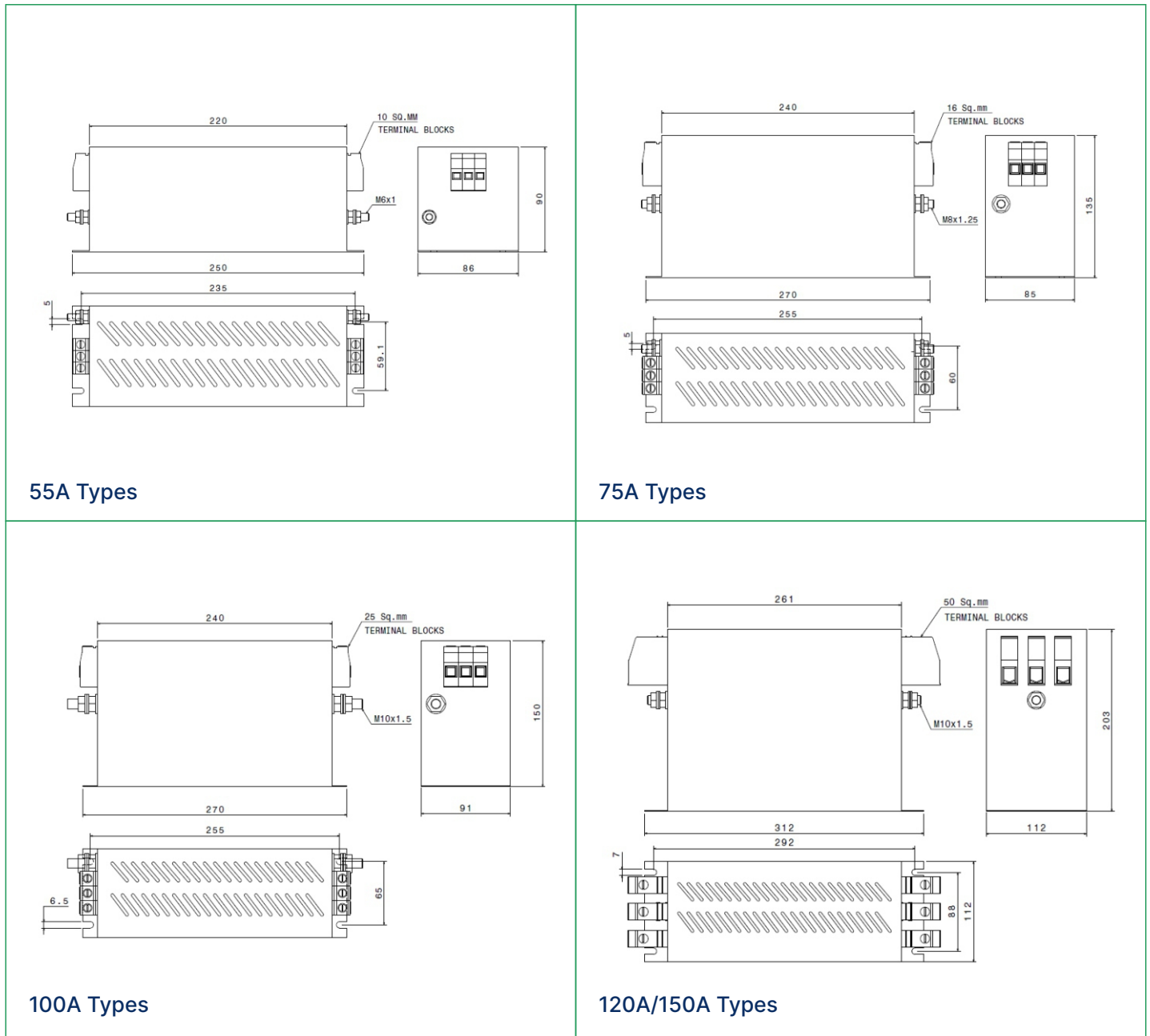
## Ordering Code Information

Part Number	Ordering code (for 440VAC)	Ordering code (for 520VAC)	Rated Current @40°C	Termination 	Weight (Kg)
MF 423 3 2D BS	E100072-2	E101379-2	7A	41	0.7
MF 423 3 2D BS	E100072-3	E101379-3	16A	41	0.8
MF 423 3 2D BS	E100072-4	E101379-4	30A	41	0.8
MF 423 3 2D BS	E100072-5	E101379-5	42A	10	1.2
MF 423 3 2D BS	E100072-6	E101379-6	55A	10	2
MF 423 3 2D BS	E100072-7	E101379-7	75A	16	2
MF 423 3 2D BS	E100072-8	E101379-8	100A	25	3
MF 423 3 2D BS	E100072-9	E101379-9	120A	50	4
MF 423 3 2D BS	E100072-10	E101379-10	150A	50	4

\*Filters with 520VAC are not covered under NEMKO

## Mechanical Drawing



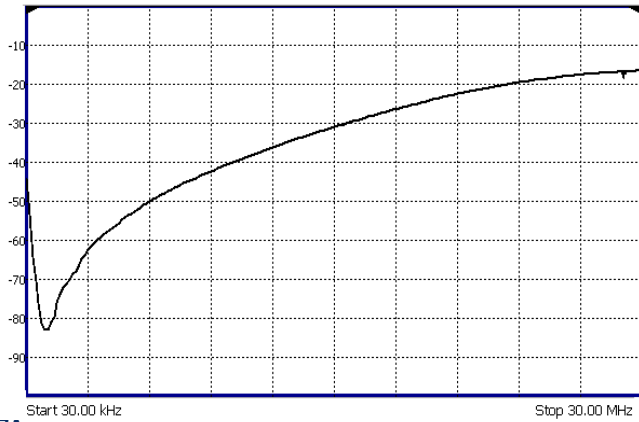


All Dimensions in mm; Tolerances according to ISO2768-m

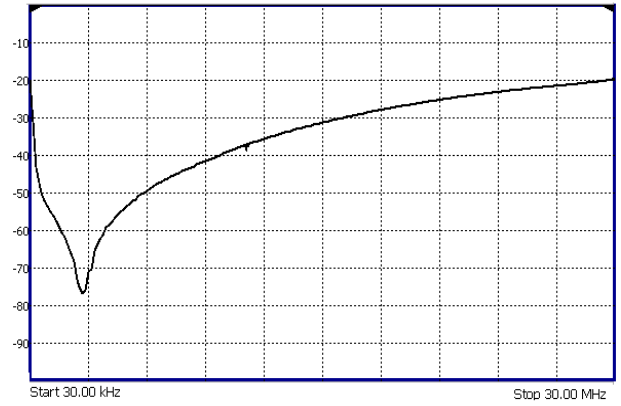
### Connectors Cross Sections

	41	10	16	25	50
Wire Section (mm <sup>2</sup> )	4mm <sup>2</sup>	10mm <sup>2</sup>	16mm <sup>2</sup>	25mm <sup>2</sup>	50mm <sup>2</sup>
Wire Section (AWG)	12 AWG	8 AWG	6 AWG	4 AWG	1/0 AWG
Wire Stripping	Max 10 mm	Max 13.5 mm	Max 17 mm	Max 17 mm	Max 20 mm
Max Recommended Torque	0.5 Nm / 4.5 in.lbs	1.2 Nm / 10.8 in.lbs	2÷2.2 Nm / 18÷19.8 in.lbs	2 Nm / 18 in.lbs	6 Nm / 54 in.lbs

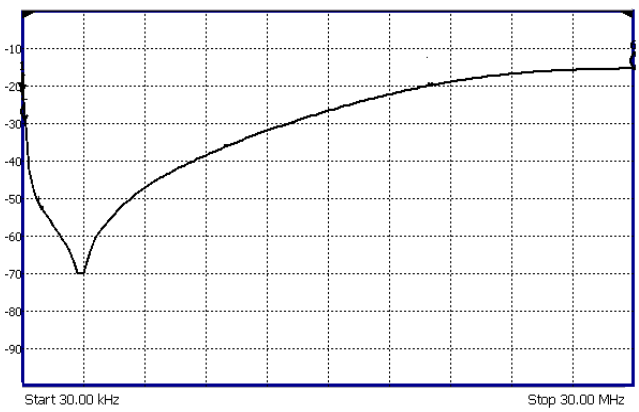
# Insertion Loss (Common Mode)



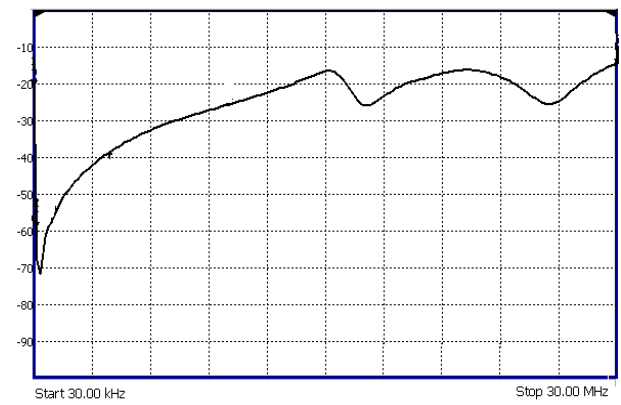
7A



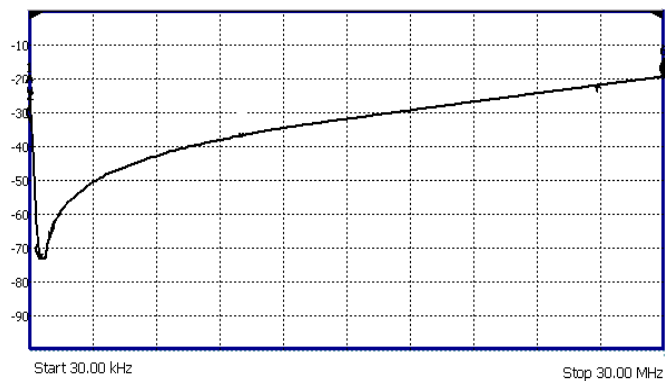
16A



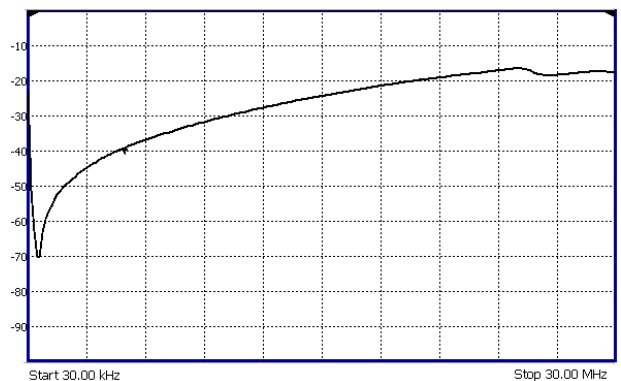
30A



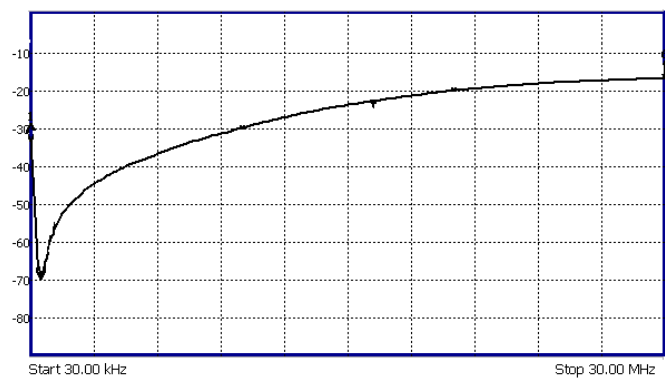
42A



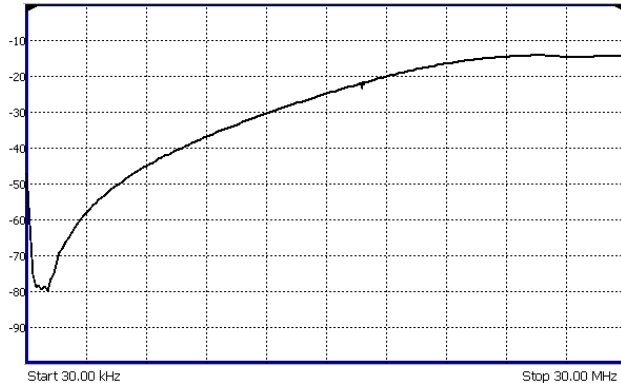
55A



75A



100A



120A

## Insertion Loss (Common Mode)

