


DATASHEET

SINGLE PHASE AC LINE REACTOR -PQR SERIES

Description

These series range of Single Phase AC line reactors serves to filter out spikes of current and reduce injection of harmonic currents and protect Variable Frequency Drives and motors.

Technical Specifications

Maximum Continuous Operating Voltage	230VAC
Operating Frequency	50Hz
Current rating	2A to 1000A @40°C
Impedance	4%, 3% & 2% of 230VAC at rated current, 50Hz frequency
High Potential test voltage	2000VAC
Overload Capability	1.6 times of rated current for 1 Min , every hour
Design Corresponding to	EN 61558-2-20,EN 60076-6,UL61800-5-1
Temperature range	-45°C to +100°C
Climatic Category	45/100/21
Type of Cooling	Natural Cooling AN
Protection Category	IP 00
Insulation Class	Class F

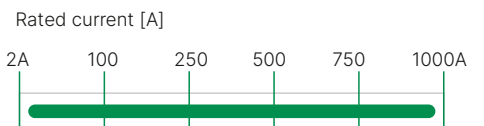
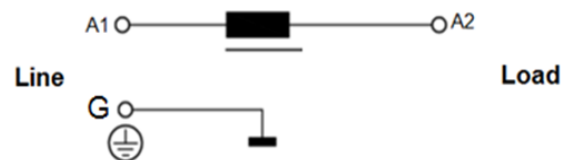
Approval & Compliance

Features

- Reduction of main harmonics
- Impedance at 4%, 3% & 2%
- Protection of motor drive electronics
- Limitations of inrush Currents
- Prevention from nuisance tripping caused by power line voltage spikes
- Low Ripple

Applications

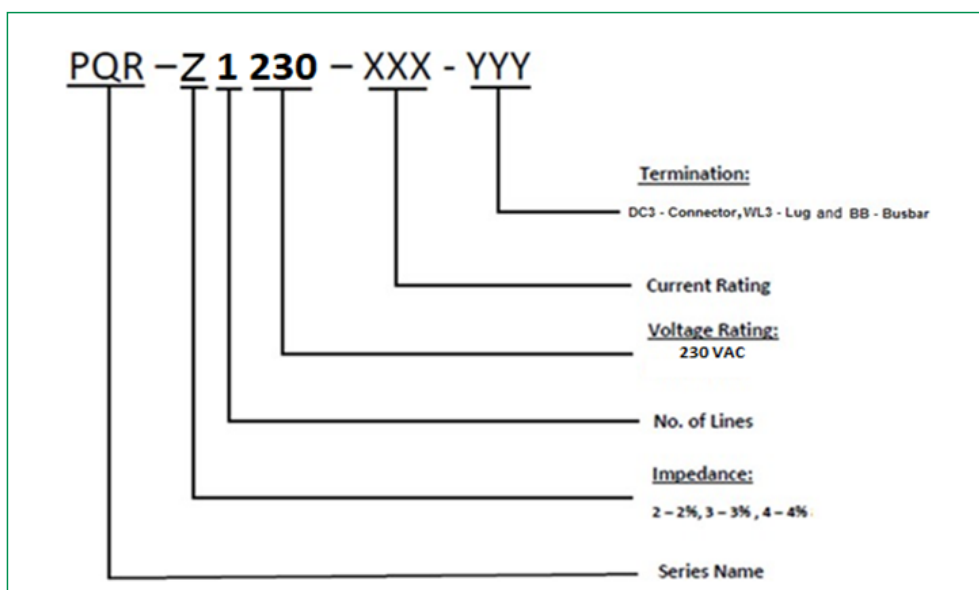
- Power Quality Applications
- Motor Drives and Various adjustable speed drive systems.
- Harmonics Reduction
- Process Automation Equipment.


Connection Diagram


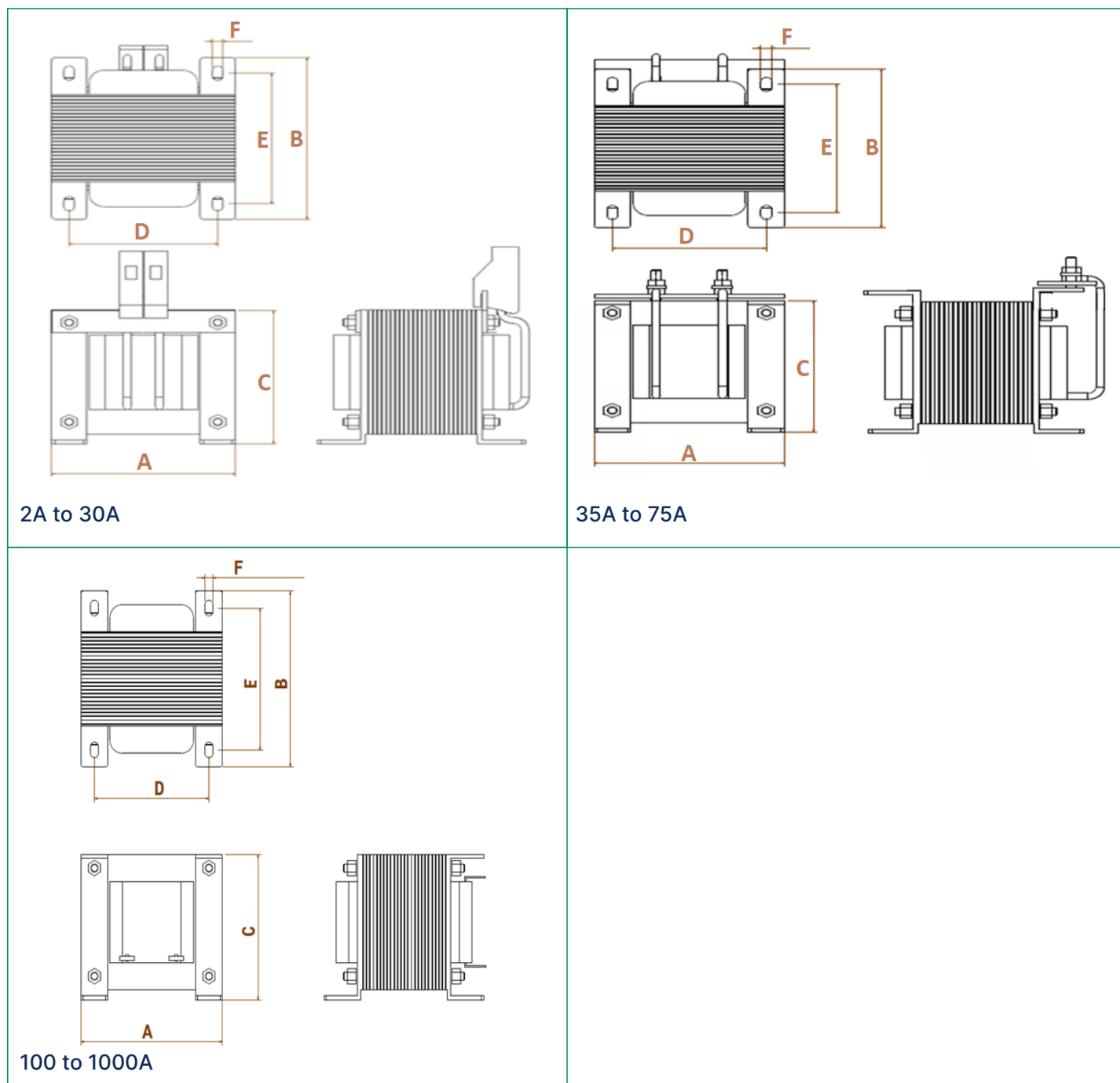
Technical Data

Part Number	Rated Current (Amps)	*Rated Power @400V (KW)	Rated Power (HP)	Inductance @4% Imp (mH)	Inductance @3% Imp (mH)	Inductance @2% Imp (mH)
PQR-Z1230-2-DC3	2	0.41	0.55	14.64	10.98	7.32
PQR-Z1230-4-DC3	4	0.83	1.11	7.32	5.49	3.66
PQR-Z1230-6-DC3	6	1.24	1.66	4.80	3.66	2.44
PQR-Z1230-8-DC3	8	1.66	2.22	3.66	2.75	1.83
PQR-Z1230-10-DC3	10	2.07	2.77	2.92	2.20	1.46
PQR-Z1230-16-DC3	16	3.31	4.44	1.83	1.37	0.92
PQR-Z1230-20-DC3	20	4.14	5.55	1.46	1.10	0.73
PQR-Z1230-25-DC3	25	5.18	6.94	1.17	0.88	0.59
PQR-Z1230-30-DC3	30	6.21	8.32	0.97	0.73	0.49
PQR-Z1230-35-WL3	35	7.25	9.71	0.83	0.63	0.42
PQR-Z1230-40-WL3	40	8.28	11.10	0.73	0.55	0.37
PQR-Z1230-45-WL3	45	9.32	12.49	0.65	0.49	0.33
PQR-Z1230-50-WL3	50	10.35	13.87	0.58	0.44	0.29
PQR-Z1230-63-WL3	63	13.04	17.48	0.48	0.35	0.23
PQR-Z1230-75-WL3	75	15.53	20.81	0.39	0.29	0.20
PQR-Z1230-100-BB3	100	18.63	24.97	0.29	0.22	0.15
PQR-Z1230-125-BB3	125	20.70	27.75	0.23	0.18	0.12
PQR-Z1230-150-BB3	150	25.88	34.68	0.19	0.15	0.10
PQR-Z1230-200-BB3	200	31.05	41.62	0.14	0.11	0.07
PQR-Z1230-300-BB3	300	41.40	55.50	0.09	0.07	0.05
PQR-Z1230-500-BB3	500	62.10	83.24	0.05	0.04	0.03
PQR-Z1230-800-BB3	800	103.50	138.74	0.03	0.03	0.02
PQR-Z1230-1000-BB3	1000	165.60	221.98	0.02	0.02	0.01

How to Order



Mechanical Drawings



2A to 30A

35A to 75A

100 to 1000A

Mechanical Dimensions

Single Phase Line Reactor – 4% Impedance at 230VAC

Part Number	A	B	C	D	E	F
PQR-41230-2-DC3	58	78	96	38	58	8 x 5
PQR-41230-4-DC3	58	78	96	38	58	8 x 5
PQR-41230-6-DC3	77	72	112	57	52	10.5 x 6
PQR-41230-8-DC3	77	72	112	57	52	10.5 x 6
PQR-41230-10-DC3	77	92	112	57	72	10.5 x 6
PQR-41230-16-DC3	77	92	112	57	72	10.6 x 6
PQR-41230-20-DC3	97	84	128	77	64	11.8 x 6
PQR-41230-25-DC3	97	100	128	77	70	11.8 x 6
PQR-41230-30-DC3	97	100	128	77	70	11.8 x 6
PQR-41230-35-WL3	115	103	105	90	77	12.8 x 7
PQR-41230-40-WL3	115	120	105	90	94	12.8 x 7
PQR-41230-45-WL3	115	120	105	90	94	12.8 x 7
PQR-41230-50-WL3	115	120	105	90	94	12.8 x 7
PQR-41230-63-WL3	115	120	105	90	94	12.8 x 7
PQR-41230-75-WL3	153	115	140	123	82	15.5 x 7.8
PQR-41230-100-BB3	153	115	140	123	109	15.5 x 7.8
PQR-41230-125-BB3	153	141	140	123	109	15.5 x 7.8
PQR-41230-150-BB3	180	130	165	123	109	15.5 x 7.8
PQR-41230-200-BB3	235	152	215	123	109	15.5 x 7.8
PQR-41230-300-BB3	235	152	215	123	109	15.5 x 7.8
PQR-41230-500-BB3	235	178	215	145	86	20 x 10
PQR-41230-800-BB3	235	203	215	145	86	20 x 10
PQR-41230-1000-BB3	235	203	215	145	86	20 x 10

Single Phase Line Reactor – 3% Impedance at 230VAC

Part Number	A	B	C	D	E	F
PQR-31230-2-DC3	58	66	96	38	46	8 x 5
PQR-31230-4-DC3	58	66	96	38	46	8 x 5
PQR-31230-6-DC3	77	66	112	57	46	10.5 x 6
PQR-31230-8-DC3	77	66	112	57	46	10.5 x 6
PQR-31230-10-DC3	85	70	121	65	50	8.8 x 4.8
PQR-31230-16-DC3	85	70	121	65	50	8.8 x 4.8
PQR-31230-20-DC3	85	80	121	65	60	8.8 x 4.8
PQR-31230-25-DC3	97	80	128	75	58	11.8 x 6
PQR-31230-30-DC3	97	80	128	75	58	11.8 x 6
PQR-31230-35-WL3	97	85	128	75	63	11.8 x 6
PQR-31230-40-WL3	115	103	105	90	77	12.8 x 7
PQR-31230-45-WL3	115	103	105	90	77	12.8 x 7
PQR-31230-50-WL3	115	103	105	90	77	12.8 x 7
PQR-31230-63-WL3	115	103	105	90	77	12.8 x 7
PQR-31230-75-WL3	115	103	105	90	77	12.8 x 7
PQR-31230-100-BB3	153	128	142	121	96	15.5 x 7.8
PQR-31230-125-BB3	153	128	142	121	96	15.5 x 7.8
PQR-31230-150-BB3	153	141	142	121	110	15.5 x 7.8
PQR-31230-200-BB3	153	141	142	121	110	15.5 x 7.8
PQR-31230-300-BB3	235	152	215	198	114	20 x 10
PQR-31230-500-BB3	235	166	215	198	128	20 x 10
PQR-31230-800-BB3	235	217	215	198	180	20 x 10
PQR-31230-1000-BB3	235	230	215	198	192	20 x 10

Single Phase Line Reactor – 2% Impedance at 230VAC

Part Number	A	B	C	D	E	F
PQR-21230-2-DC3	48	66	80	28	46	8x5
PQR-21230-4-DC3	48	66	80	28	46	8x5
PQR-21230-6-DC3	58	66	96	38	46	8 x 5
PQR-21230-8-DC3	58	66	96	38	46	8 x 5
PQR-21230-10-DC3	58	71	96	38	51	8 x 5
PQR-21230-16-DC3	58	71	96	38	51	8 x 5
PQR-21230-20-DC3	58	71	96	38	51	8 x 5
PQR-21230-25-DC3	77	80	112	57	60	10.5 x 6
PQR-21230-30-DC3	77	80	112	57	60	10.5 x 6
PQR-21230-35-WL3	77	85	112	57	65	10.5 x 6
PQR-21230-40-WL3	97	100	128	77	70	11.8 x 6
PQR-21230-45-WL3	97	100	128	77	70	11.8 x 6
PQR-21230-50-WL3	97	100	128	77	70	11.8 x 6
PQR-21230-63-WL3	97	100	128	77	70	11.8 x 6
PQR-21230-75-WL3	97	100	128	77	70	11.8 x 6
PQR-21230-100-BB3	153	128	142	121	96	15.5 x 7.8
PQR-21230-125-BB3	153	128	142	121	96	15.5 x 7.8
PQR-21230-150-BB3	153	141	142	121	110	15.5 x 7.8
PQR-21230-200-BB3	153	141	142	121	110	15.5 x 7.8
PQR-21230-300-BB3	235	152	215	198	114	20 x 10
PQR-21230-500-BB3	235	166	215	198	128	20 x 10
PQR-21230-800-BB3	235	217	21	198	180	20 x 10
PQR-21230-1000-BB3	235	230	215	198	192	20 x 10

Note :

- 1) All dimensions are in mm.
- 2) Above drawings/dimensions are provided are approximate and for reference only and subject to change without notice. Kindly contact factory for exact dimensions.