


DATASHEET

DC FEEDTHROUGH CAPACITOR

Description

Feedthrough capacitor offer high attenuation to the wide range of frequency up to 1GHz available in various configurations like C, L, π and T with various mounting and terminations.

Technical Specifications

Max. Operating Voltage	130 VDC(UL) 130 VAC,50/60 Hz(UL)
Rated Current	6 to 300A@60°C
High Potential test voltage	2000 VDC line to case for 2 sec
Capacitance class	Y4
Design Corresponding to	IEC/EN 60384-14
Flammability corresponding to	UL 94 V-2 or better
Temperature range	-40°C to +100°C(40/100/21)
Enclosure/Finish/Potting	Brass with Nickel plating/Epoxy
Operating Frequency	DC

Compliance

Features

Very wide range in different mounting

High contact reliability

Easy to install

Applications

Broadband interference suppression for

Shielded rooms

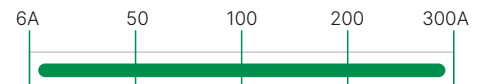
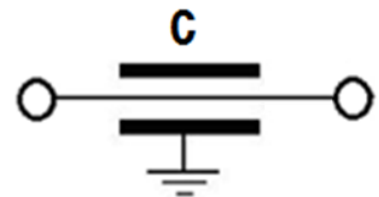
Telephone exchanges, base stations

Electrical machines and systems

UPS Power supplies

Performance Indicator


Rated current [A]

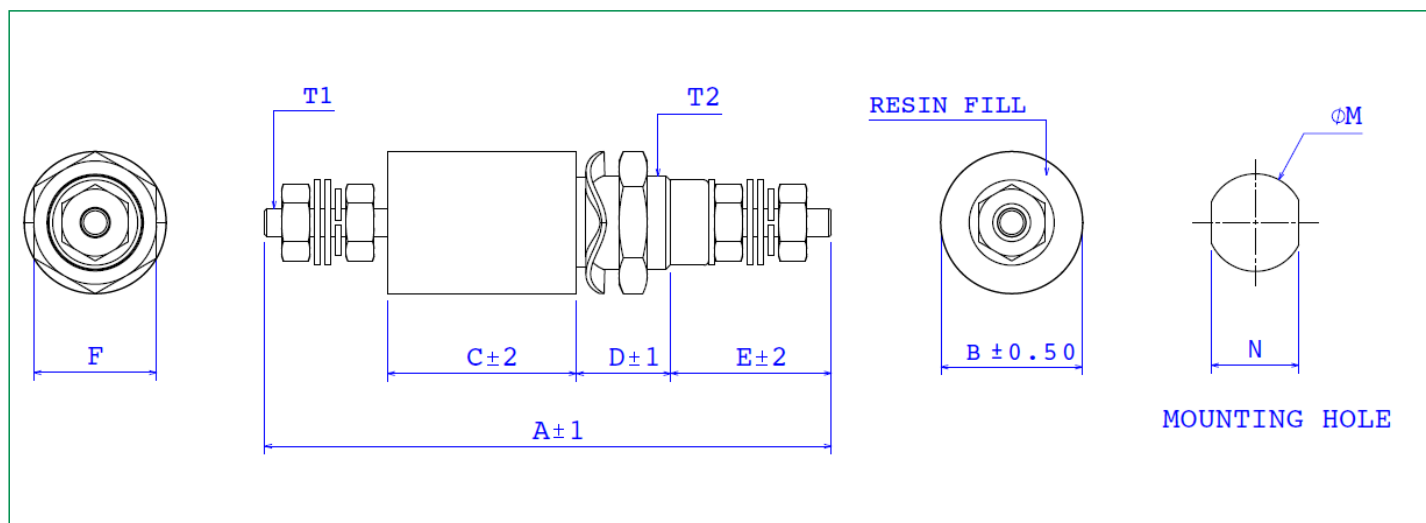

Typical circuit Diagram


Selection Table

Ordering code	Current rating @60°C	Leakage Current* @130 VAC/ 50Hz (mA)	Capacitance (nF)	A	B	C	D	E	F	T1	T2	M	N
FTCDC-N00220-006A	6A	0.11	2.2	64	20	20	10	20	13	M3	M10	10.3	10.3
FTCDC-N00220-010A	10A			64	20	20	10	20	13	M3	M10	10.3	10.3
FTCDC-N0047-006A	6A	0.24	4.7	64	20	20	10	20	13	M3	M10	10.3	10.3
FTCDC-N0047-010A	10A			64	20	20	10	20	13	M3	M10	10.3	10.3
FTCDC-N01000-006A	6A	0.5	10nF	64	20	20	10	20	13	M3	M10	10.3	10.3
FTCDC-N01000-010A	10A			64	20	20	10	20	13	M3	M10	10.3	10.3
FTCDC-N01000-016A	16A			73	20	20	12	24	17	M4	M12	12.3	12.3
FTCDC-N01000-032A	32A			79	20	20	12	27	17	M5	M12	12.3	12.3
FTCDC-N01000-063A	63A			98	25	25	14	33	22	M6	M16	16.3	14.3
FTCDC-N01000-075A	75A			106	25	25	14	37	22	M8	M16	16.3	14.3
FTCDC-N02200-016A	16A	1.1	22nF	73	28	20	12	24	17	M4	M12	12.3	12.3
FTCDC-N02200-032A	32A			79	28	20	12	27	17	M5	M12	12.3	12.3
FTCDC-N02200-063A	63A			98	32	25	14	33	24	M6	M16	16.3	14.3
FTCDC-N02200-075A	75A			108	32	25	16	37	27	M8	M20	20.3	18.3
FTCDC-N04700-016A	16A	2.4	47nF	78	25	25	12	24	17	M4	M12	12.3	12.3
FTCDC-N04700-032A	32A			84	25	25	12	27	17	M5	M12	12.3	12.3
FTCDC-N04700-063A	63A			108	25	35	14	33	24	M6	M16	16.3	14.3
FTCDC-N04700-075A	75A			118	32	35	16	37	25	M8	M20	20.3	18.3
FTCDC-N04700-100A	100A			118	32	35	16	37	25	M8	M20	20.3	18.3
FTCDC-N10000-016A	16A	5	100nF	80	32	25	14	24	24	M4	M16	16.3	14.3
FTCDC-N10000-032A	32A			86	32	25	14	27	24	M5	M16	16.3	14.3
FTCDC-N10000-063A	63A			108	32	35	14	33	24	M6	M16	16.3	14.3
FTCDC-N10000-075A	75A			118	32	35	16	37	27	M8	M20	20.3	18.3
FTCDC-N10000-100A	100A			118	32	35	16	37	27	M8	M20	20.3	18.3
FTCDC-N10000-150A	150A			134	38	35	19	45	32	M10	M24	24.3	22.3
FTCDC-N10000-200A	200A			134	38	35	19	45	32	M10	M24	24.3	22.3
FTCDC-N10000-250A	250A			153	38	44	19	50	36	M12	M24	24.3	22.3
FTCDC-N10000-300A	300A	165	38	44	19	55	36	M16	M27	27.3	25.3		
FTCDC-N22000-016A	16A	11	220nF	80	32	25	14	24	24	M4	M16	16.3	14.3
FTCDC-N22000-032A	32A			86	32	25	14	27	24	M5	M16	16.3	14.3
FTCDC-N22000-063A	63A			108	32	35	14	33	24	M6	M16	16.3	14.3
FTCDC-N22000-075A	75A			118	32	35	16	37	27	M8	M20	20.3	18.3
FTCDC-N22000-100A	100A			118	32	35	16	37	27	M8	M20	20.3	18.3
FTCDC-N22000-150A	150A			134	38	35	19	45	32	M10	M24	24.3	22.3
FTCDC-N22000-200A	200A			134	38	35	19	45	32	M10	M24	24.3	22.3

Ordering code	Current rating @60°C	Leakage Current* @250 VAC/ 50Hz (mA)	Capacitance (nF)	A	B	C	D	E	F	T1	T2	M	N
FTCDC-N22000-250A	250A	11	220nF	153	38	44	19	50	36	M12	M24	24.3	22.3
FTCDC-N22000-300A	300A			165	38	44	21	55	36	M16	M27	27.3	25.3
FTCDC-N47000-063A	63A	23.5	470nF	117	25	44	14	33	22	M6	M16	16.3	14.3
FTCDC-N47000-075A	75A			127	25	44	14	37	22	M8	M20	20.3	18.3
FTCDC-N47000-100A	100A			127	25	44	16	37	22	M8	M20	20.3	18.3
FTCDC-N47000-150A	150A			143	32	44	16	45	27	M10	M24	24.3	22.3
FTCDC-N47000-200A	200A			143	32	44	19	45	27	M10	M24	24.3	22.3
FTCDC-N47000-250A	250A			163	38	54	19	50	36	M12	M24	24.3	22.3
FTCDC-N47000-300A	300A			175	38	54	21	55	36	M16	M27	27.3	25.3
FTCDC-01000N-063A	63A			50	1000nF	127	32	55	14	33	27	M6	M16
FTCDC-01000N-075A	75A	137	32			55	16	37	27	M8	M20	20.3	18.3
FTCDC-01000N-100A	100A	137	32			55	16	37	27	M8	M20	20.3	18.3
FTCDC-01000N-150A	150A	153	32			55	19	45	40	M10	M24	24.3	22.3
FTCDC-01000N-200A	200A	153	32			55	19	45	40	M10	M24	24.3	22.3
FTCDC-01000N-250A	250A	174	32			65	19	50	40	M12	M24	24.3	22.3
FTCDC-01000N-300A	300A	186	38			65	21	55	46	M16	M27	27.3	25.3
FTCDC-02200N-063A	63A	110	2200nF			129	32	54	14	33	27	M6	M20
FTCDC-02200N-075A	75A			137	32	54	16	37	27	M8	M20	20.3	18.3
FTCDC-02200N-100A	100A			137	32	54	16	37	27	M8	M20	20.3	18.3
FTCDC-02200N-150A	150A			153	38	54	19	45	40	M10	M24	24.3	22.3
FTCDC-02200N-200A	200A			153	38	54	19	45	40	M10	M24	24.3	22.3
FTCDC-02200N-250A	250A			174	38	65	19	50	40	M12	M27	27.3	25.3
FTCDC-02200N-300A	300A			186	38	65	21	55	46	M16	M32	32.3	30.3
FTCDC-03300N-063A	63A			165	3300nF	129	32	54	16	33	27	M6	M20
FTCDC-03300N-075A	75A	137	32			54	16	37	27	M8	M20	20.3	18.3
FTCDC-03300N-100A	100A	137	32			54	16	37	27	M8	M20	20.3	18.3
FTCDC-03300N-150A	150A	153	38			54	19	45	40	M10	M24	24.3	22.3
FTCDC-03300N-200A	200A	153	38			54	19	45	40	M10	M24	24.3	22.3
FTCDC-03300N-250A	250A	174	38			65	19	50	40	M12	M27	27.3	25.3
FTCDC-03300N-300A	300A	186	38			65	21	55	46	M16	M32	32.3	30.3
FTCDC-04700N-063A	63A	470	4700nF			145	38	70	16	33	27	M6	M20
FTCDC-04700N-075A	75A			153	38	70	16	37	27	M8	M20	20.3	18.3
FTCDC-04700N-100A	100A			153	38	70	16	37	27	M8	M20	20.3	18.3
FTCDC-04700N-150A	150A			174	57	75	19	45	40	M10	M24	24.3	22.3
FTCDC-04700N-200A	200A			174	57	75	19	45	40	M10	M24	24.3	22.3
FTCDC-04700N-250A	250A			184	57	75	19	50	40	M12	M27	27.3	25.3
FTCDC-04700N-300A	300A			196	57	75	21	55	46	M16	M32	32.3	30.3

Mechanical Dimensions



Insertion Loss

Capacitance (nF)	Frequency (Hz)	0.03M	0.1M	1M	10M	100M	1G
2.2	Atten. dB				8	38	45
4.7					14	43	60
10				3	21	45	70
22				6	25	45	70
47			2	15	34	50	80
100		2	5	20	40	65	80
220		4	11	27	45	80	80
470		9	16	33	33	80	80
1000		15	22	40	42	80	80
2200		20	30	45	47	85	90
3300		30	40	50	52	85	90
4700		38	40	52	57	85	90