

**Description**

These series range of filters in cylindrical type Plastic enclosure are designed to suppress undesirable electrical disturbances in Power Lines. They limit the amplitude of interfering voltages on AC power lines and prevent them from propagating into or out of the filtered equipment.

**Features**

- Excellent performance/size ratio
- Rated currents up to 16 A
- Medical versions available
- High conducted attenuation performance

**Applications**

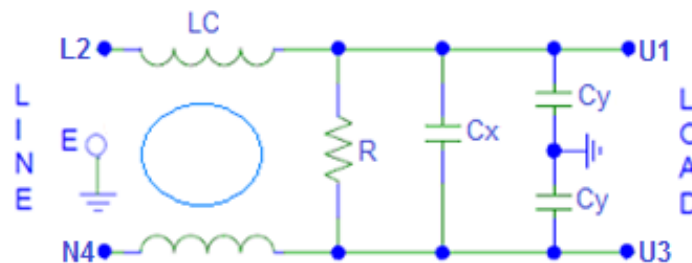
- Washing Machines
- Refrigerator
- Air Conditioner
- Microwave Equipment
- Office Automation Equipment
- Photocopier
- Printers
- Electric test instruments



**Approvals & Compliance**



**Typical circuit Diagram**



**Technical Specifications**

Maximum Continuous Operating Voltage	: 250VAC
Operating Frequency	: 50/60Hz
Current ratings	: 1A to 16A @40°C
High Potential test voltage	: L to G 2120VDC for 1 Minute L to L 1414VDC for 1 Minute
Overload Capability	: 135% of Rated current for 15 minutes
Design Corresponding to	: UL1283, CSA 22.2 No.8-13 and IEC 60939
Flammability corresponding to	: UL 94 V-0
Temperature range	: -25°C to +85°C
Climatic Category	: 25/85/21
Enclosure Material	: Plastic

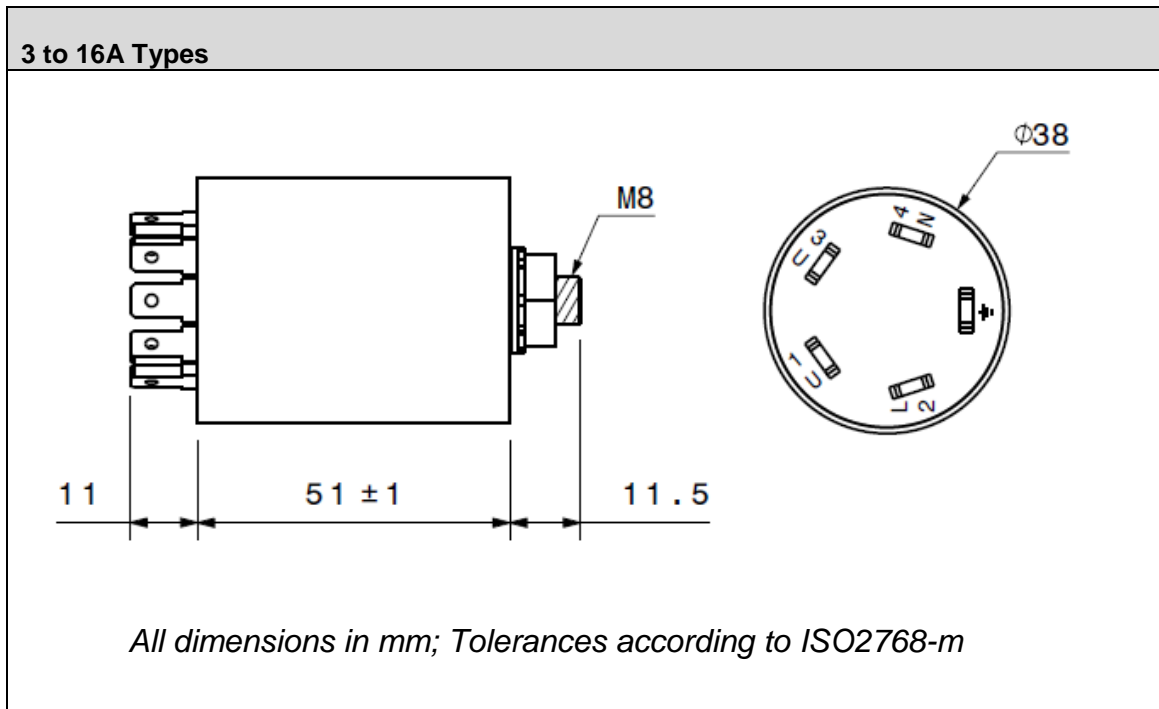
*Images shown above are just for reference*

## Selection Table

Part Number	Ordering Code	Rated Current @40°C	Leakage Current @250VAC (mA)	Termination	Weight (Grams)
MF 210 - 03	S210P00003D	3A	0.74	Fastons	70
MF 210 - 06	S210P00006D	6A	0.16	Fastons	70
MF 210 - 10	S210P00010D	10A	0.74	Fastons	70
MF 210 - 12	S210P00012D	12A	0.74	Fastons	70
MF 210 - 16	S210P00016D	16A	0.16	Fastons	70

Customized filters are provided on request

## Mechanical Drawing



# Insertion Loss - (Common Mode)

